



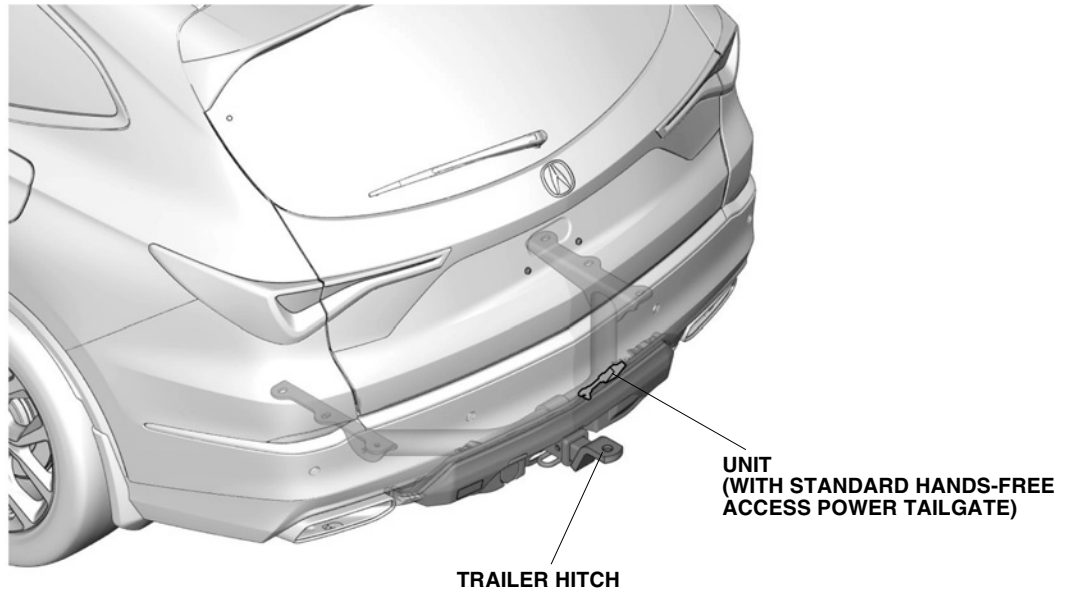
INSTALLATION INSTRUCTIONS

Accessory
TRAILER HITCH

Application
2022 MDX MODEL SERIES

Publications No.
VERSION 2
Issue Date
JUN 2022

GENERAL VIEW



QJD0101BH

FOR YOUR SAFETY (Read carefully.)

Warning Symbols

Safety: Your safety, and the safety of others, is important. To help you make informed decisions about service procedures, we have provided safety messages where appropriate. Of course, it is not practical or possible to warn you about all the hazards associated with servicing a vehicle - you must use your own good judgment.

You will find important safety messages preceded by one of following symbols:

*All symbols are not used in all installation instructions.

⚠ DANGER

You will be killed or seriously hurt if you do not follow the instructions.

⚠ WARNING

You can be killed or seriously hurt if you do not follow the instructions.

⚠ CAUTION

You can be hurt if you do not follow the instructions.

NOTICE

Gives advice to prevent damage to the product, vehicle, the environment or other property.

NOTE

Gives helpful information or instructions to be followed when installing this product.

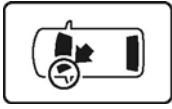


Indicates a prohibited action.

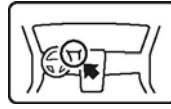
Procedure and Location Icons

These icons indicate the work location and the worker's point of view.

*All icons are not used in all installation instructions.



The location on the vehicle.



The location in the vehicle.
(instrument panel.)



Wear eye protection.



Wear heavy gloves.



Use an assistant.



Place the part on a blanket.



Work perpendicular.



Remove any burrs.



Use touch-up paint and allow to dry.



Tighten to the specified torque.



Apply firm pressure while rolling, especially at the ends, to set the adhesive.



Press firmly.



Clean with isopropyl alcohol.

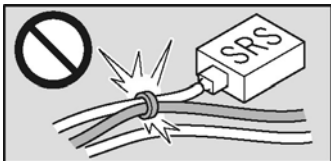


Return the original part to the client.
(Do not reuse.)

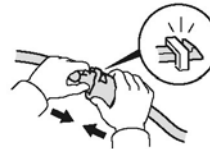
B1116037 (2112)

© 2022 American Honda Motor Co., Inc. – All Rights Reserved.

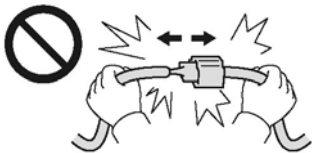
Wire Harness Routing Precaution



Do not secure the accessory harness to the SRS harness.
(except for instruction cases.)



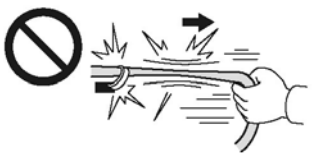
Push the connectors and terminals together until they lock.



Do not pull the harness to unplug the connectors.



Install removed connectors in their original location.



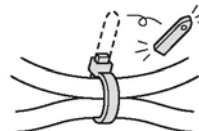
Do not pull the harness.



Secure the accessory harness as shown.



Do not pinch the harness.



Cut off the excess wire tie.

Safety: General

- Observe all safety notes and precautions described in the service information, in addition to those described in this Installation Instruction. Be extremely careful for your safety and safety of others.
- Be careful not to damage the vehicle or the parts.
- Be extremely careful when handling retaining tabs and clips.
- Note the locations of the parts before removing them so they can be properly installed in their original positions.
- The illustrations may differ slightly from the actual accessory.

Safety: Electric Parts

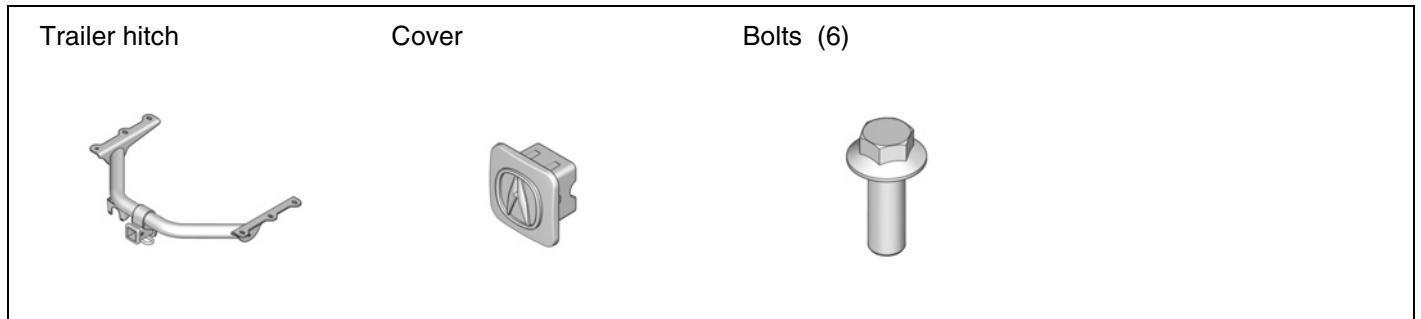
Always disconnect the negative cable from the battery before beginning work.

Safety: Accessory

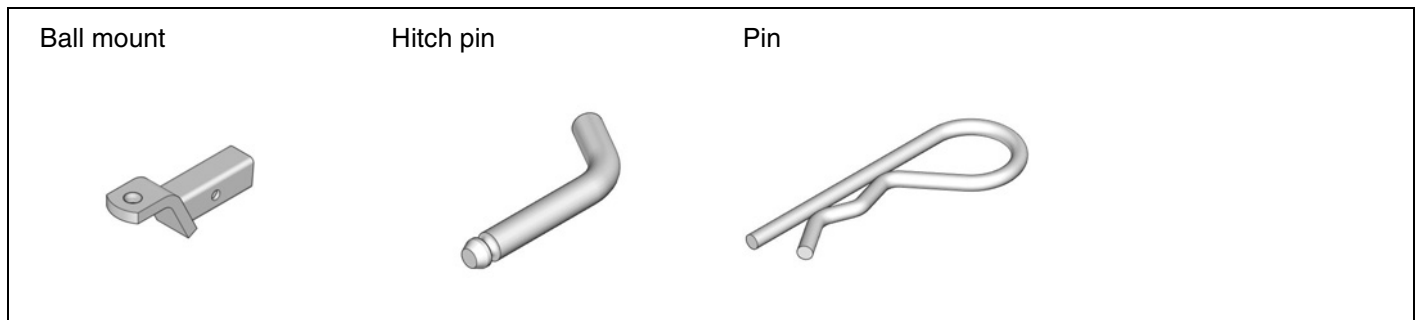
- Always use the parts and tools specified in the installation instructions.
- Do not install the accessory on a dirty surface or in direct sunlight.
- Make sure the ambient air temperature is 60°F (15°C) or above when installing accessories that use a bonding material.
- When pressing the accessory firmly with the palm of your hand, be careful not to damage it or the vehicle.
- When applying adhesive material, make sure it is lined up properly before attaching. Once the adhesive material touches the surface, do not try to remove it. If you do, you could damage the part before the adhesive releases.
- Always wear gloves when working with promoter applicator packet.
- Not to wash the vehicle for 24 hours to allow the adhesive to cure.

PARTS LIST

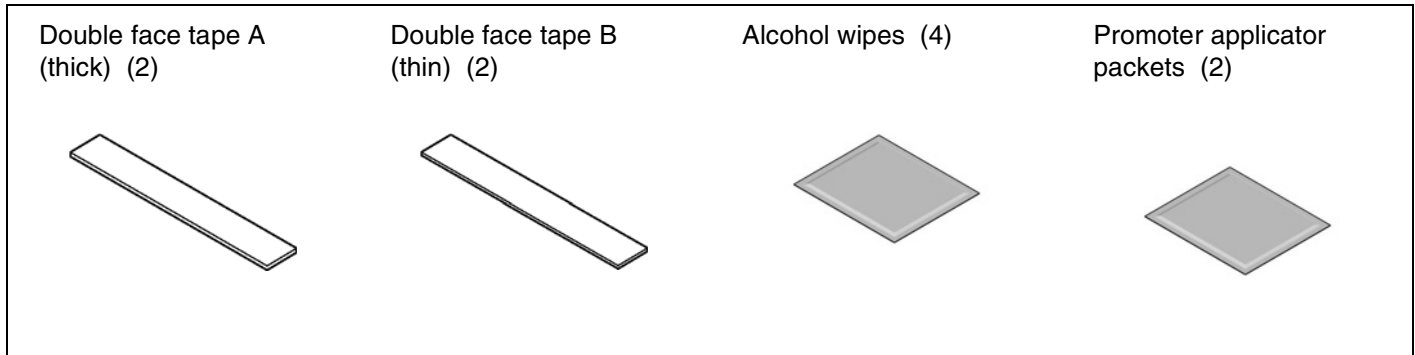
Trailer Hitch Kit (P/N 08L92-TYA-200)



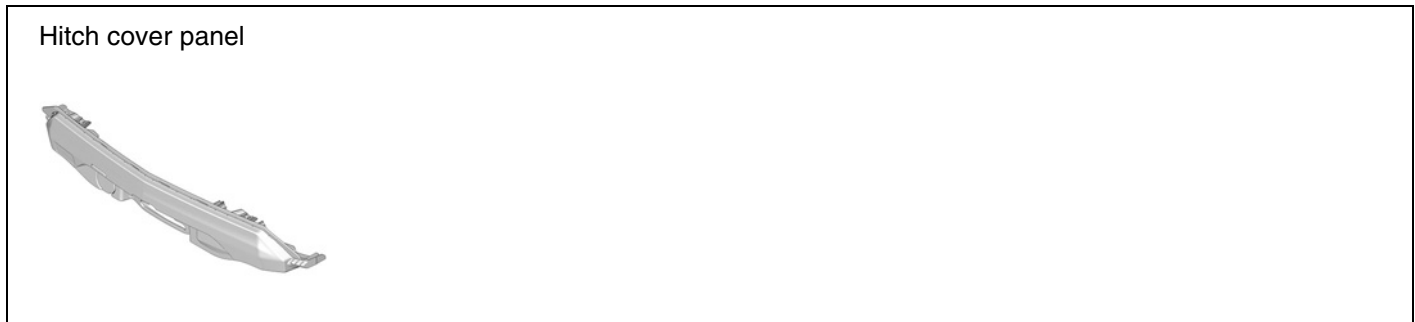
Ball Mount Kit (P/N 08L92-TYA-200A)



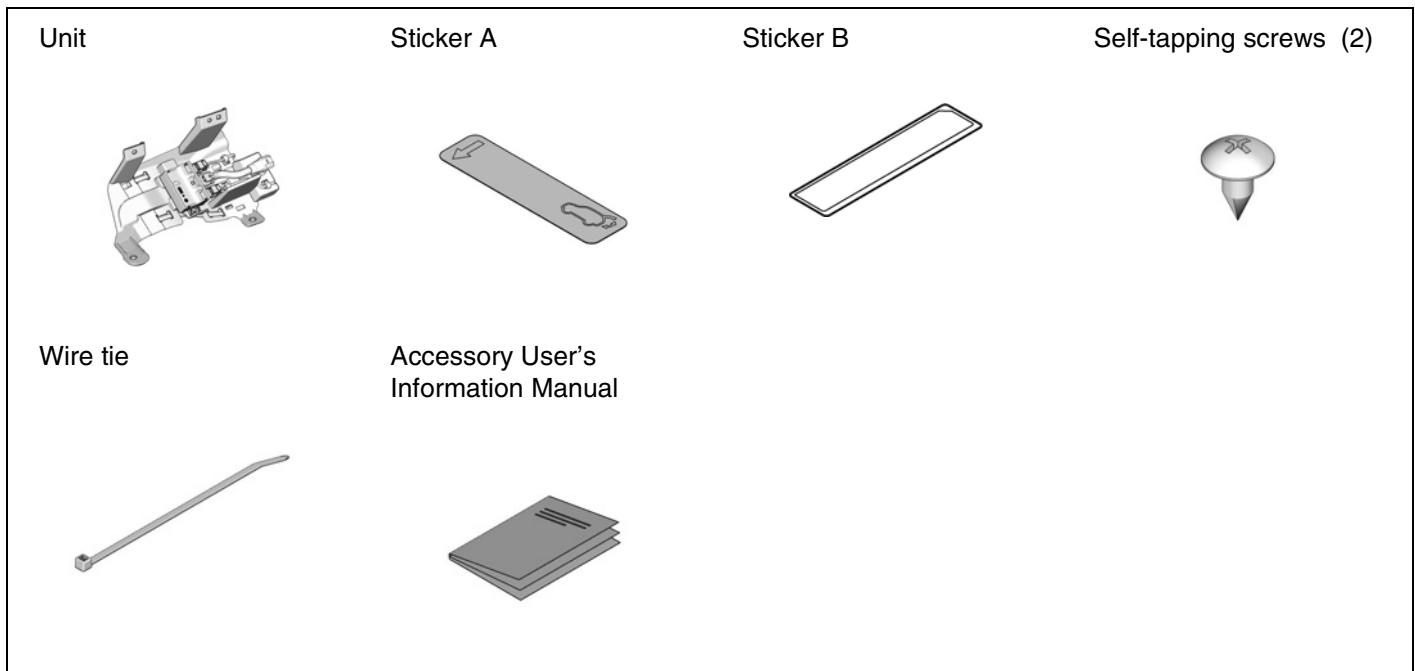
Rear Gutter Cover Attachment Kit (P/N 08L91-TYA-200C)



Hitch Cover Panel Kit (P/N 08L92-TYA-200B)



Hands-Free Access Power Tailgate Unit Kit (P/N 08L91-TYA-200B)



REQUIRED TOOLS AND SUPPLIES

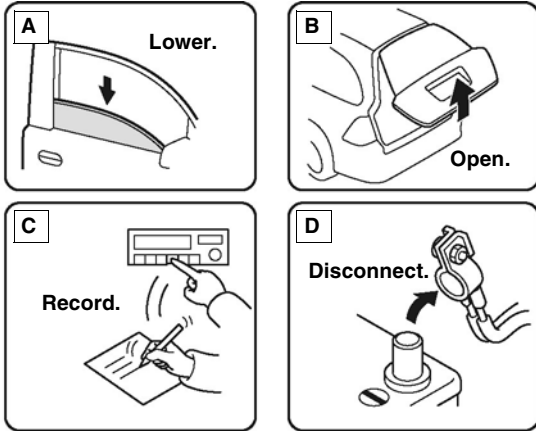
- Phillips screwdriver
- Torque wrench
- Hex wrench
- Shop towel
- Utility knife
- Gloves
- 10 mm Open end wrench
- 10 mm and 18 mm Sockets
- Diagonal cutters
- Stubby Phillips screwdriver
- Drill
- Ratchet
- Masking tape
- Isopropyl alcohol
- Blanket
- Touch-up paint

The following tools are available through the Acura Tool and Equipment Program:

- Trim Tool Set (T/N SOJATP2014)
- Plastic Trim Tool (T/N SILTRIMTL10)
- Wheel and Mandrel Kit (T/N MMM07498)

INSTALLATION

1. Disconnect the negative cable from the battery.

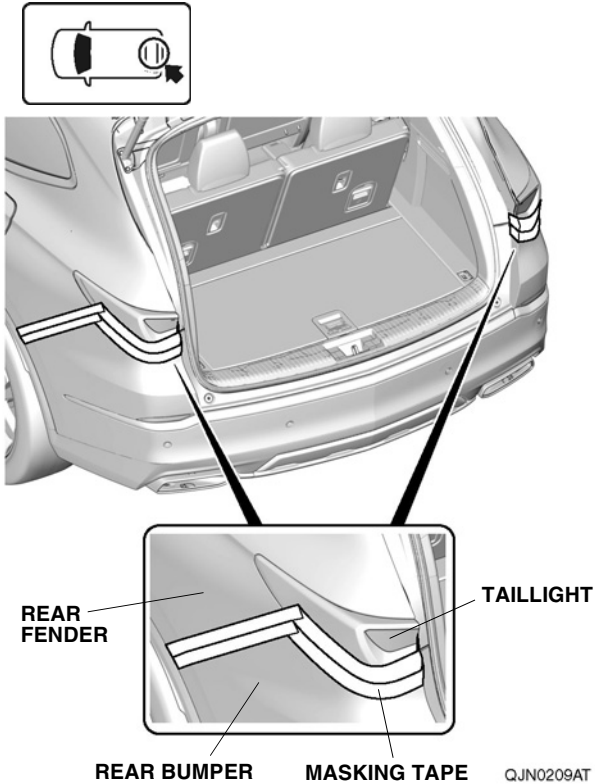


QCD0504BM

2. Attach the masking tape to protect the vehicle.

NOTICE

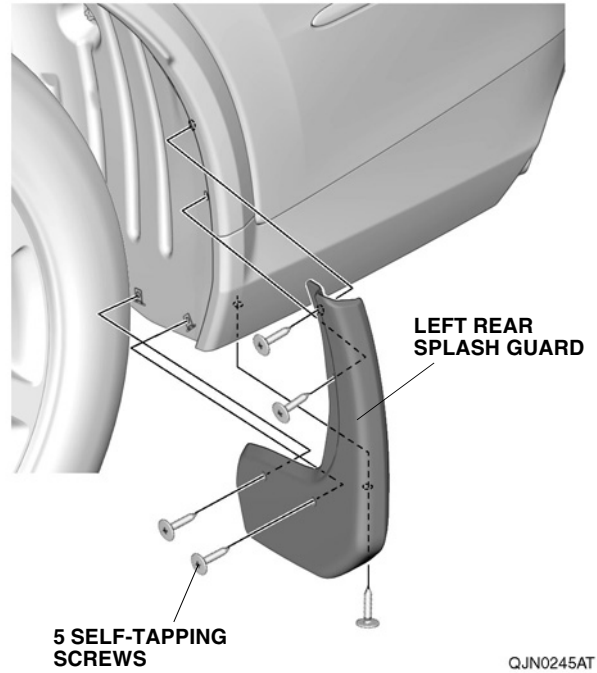
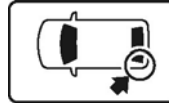
Do not remove the masking tape until after the parts are installed.



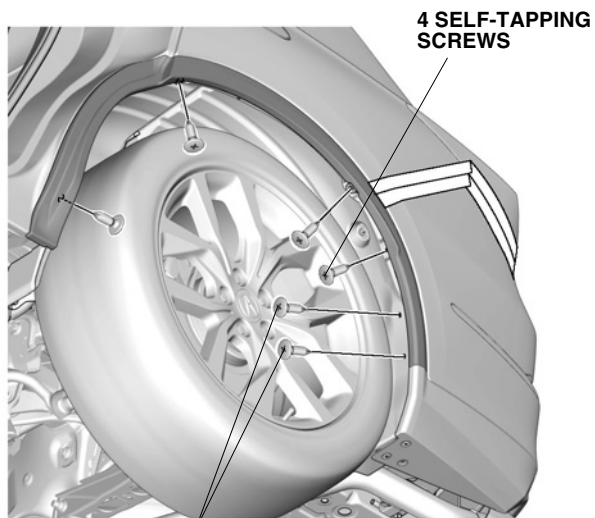
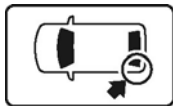
3. Choose one of these options.

- | | |
|-----------------------------|--------------|
| • With rear splash guard | Go to step 4 |
| • Without rear splash guard | Go to step 5 |

4. Remove the left rear splash guard.



5. Remove the self-tapping screws.



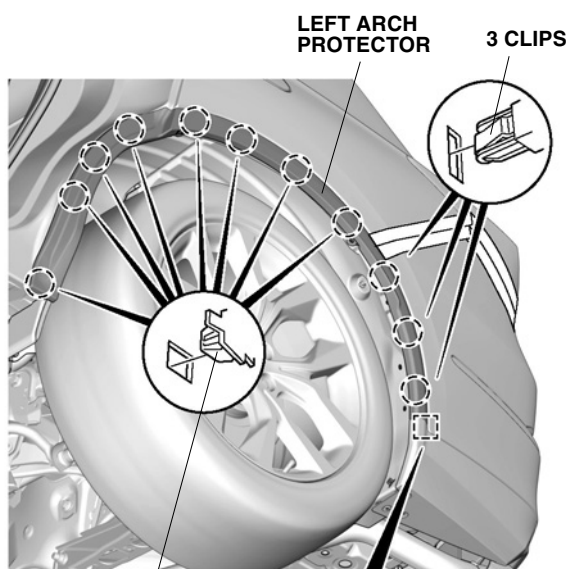
4 SELF-TAPPING SCREWS

2 SELF-TAPPING SCREWS
(without rear splash guard)

QJN0246AT

6. Open the left rear door.

7. Remove the left arch protector.



LEFT ARCH PROTECTOR

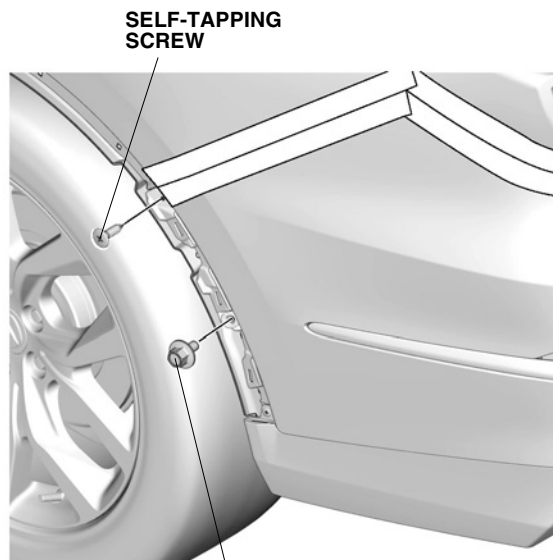
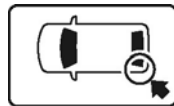
3 CLIPS

8 CLIPS

RETAINING TAB

QJN0210AT

8. Remove the self-tapping screw and bolt.



SELF-TAPPING SCREW

BOLT

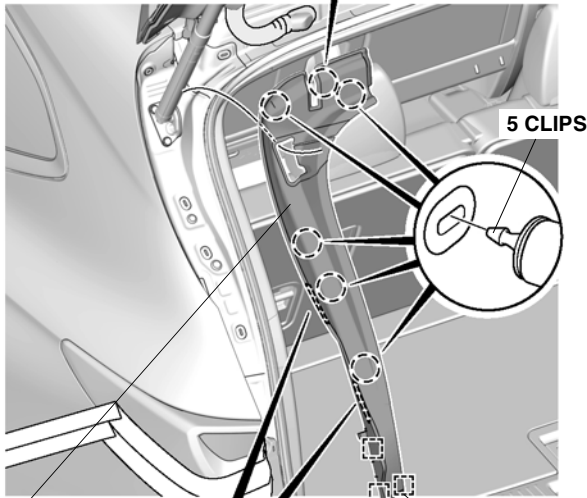
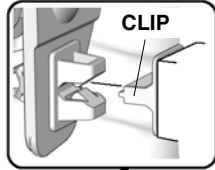
QJN0211AT

9. Remove the left rear gutter cover.

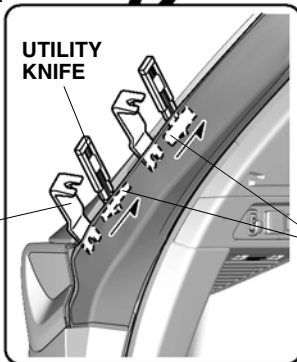
NOTE

- Be careful not to damage the rear gutter cover and vehicle panel.
- If there are any scratches, apply touch-up paint and allow to dry thoroughly.

OPPOSITE SIDE VIEW



LEFT REAR GUTTER COVER

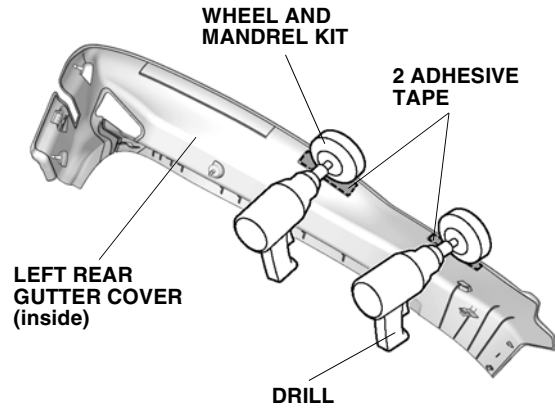


QL12119AH

10. Remove the adhesive tape.

NOTE

- Do not damage the rear gutter cover when removing the adhesive tape.
- Make sure to thoroughly remove the adhesive tape from the rear gutter cover.

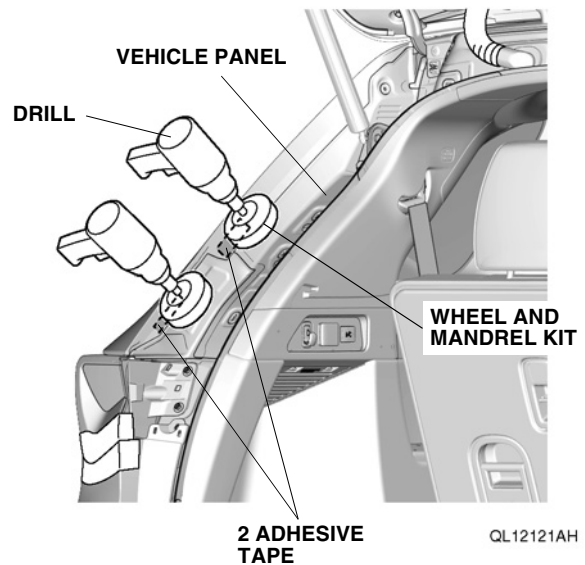
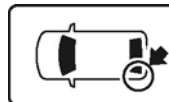


QL12120AH

11. Remove the adhesive tape.

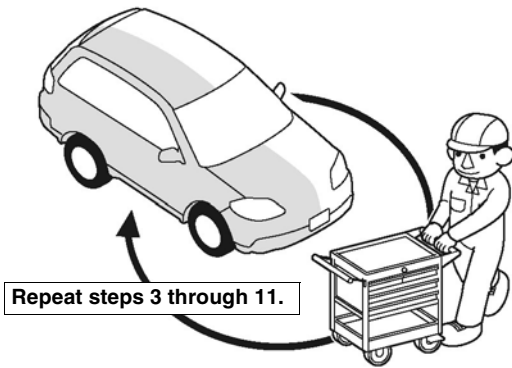
NOTE

- Do not damage the vehicle panel when removing the adhesive tape.
- Make sure to thoroughly remove the adhesive tape from the vehicle panel.



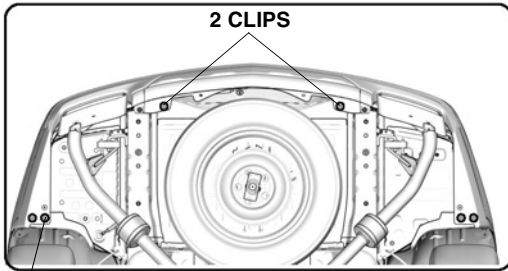
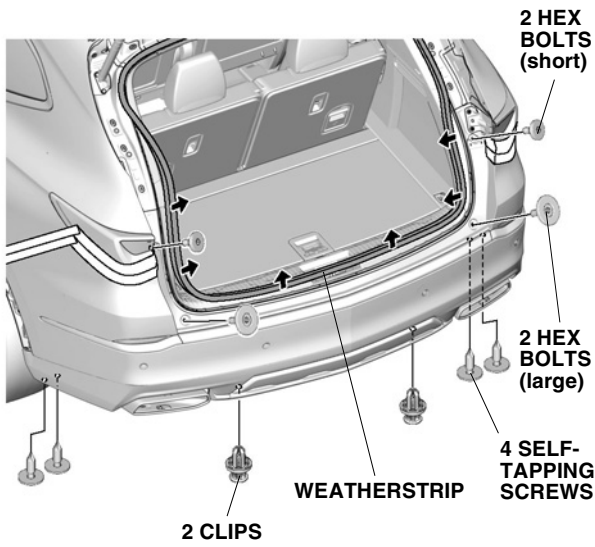
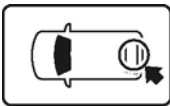
QL12121AH

12. Repeat the same procedures on the other side.



Q9D1014AM

13. Remove the hex bolts, clips, and self-tapping screws.



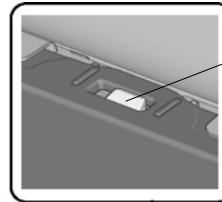
4 SELF-TAPPING SCREWS

QJN0213BT

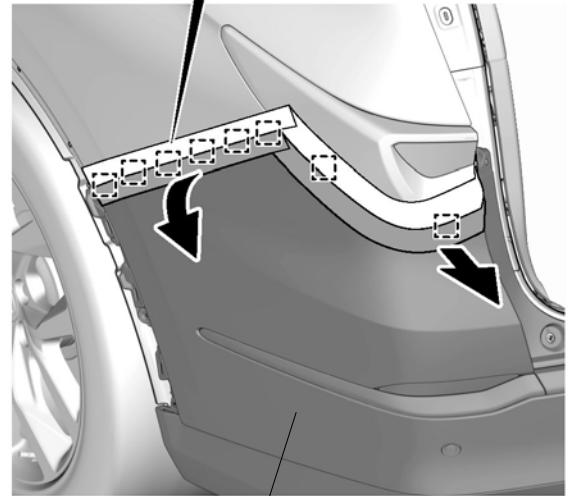
14. Release the retaining tabs.

NOTICE

- Release the retaining tabs in order from outside.
- Make sure to release the retaining tabs in the correct orientation.



8 RETAINING TABS

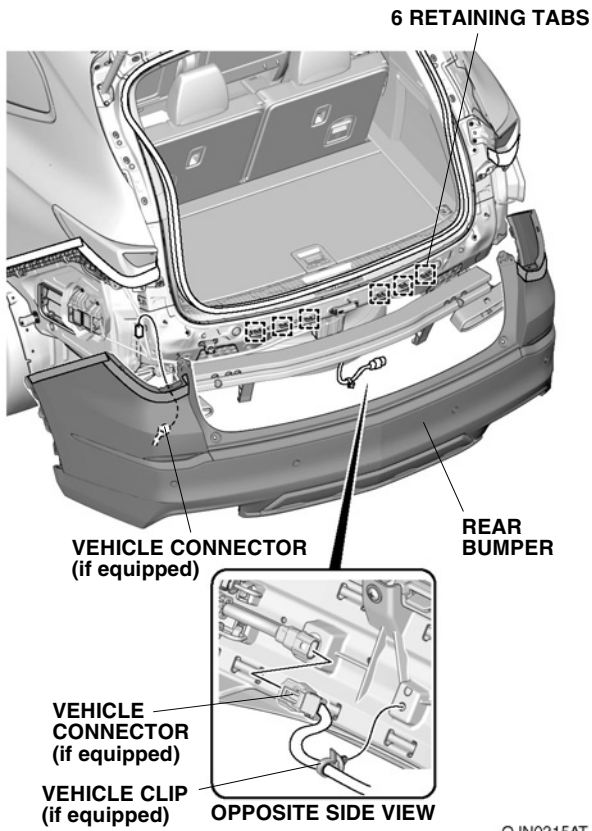
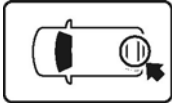


REAR BUMPER

QJN0214AT

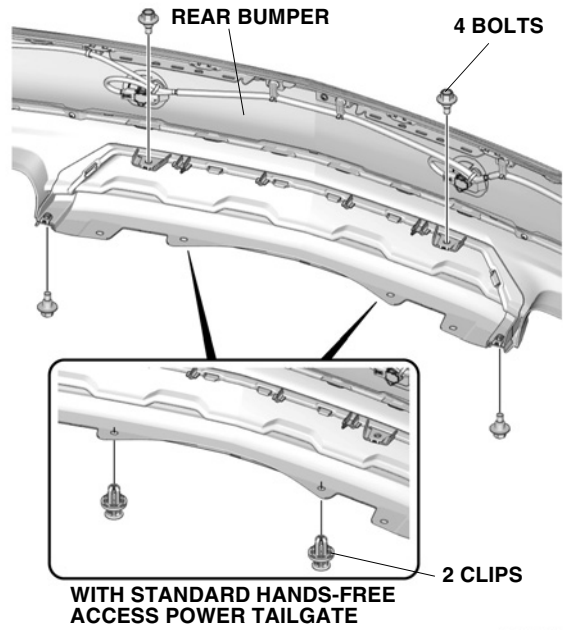
15. Repeat step 14 on the other side.

16. Remove the rear bumper.



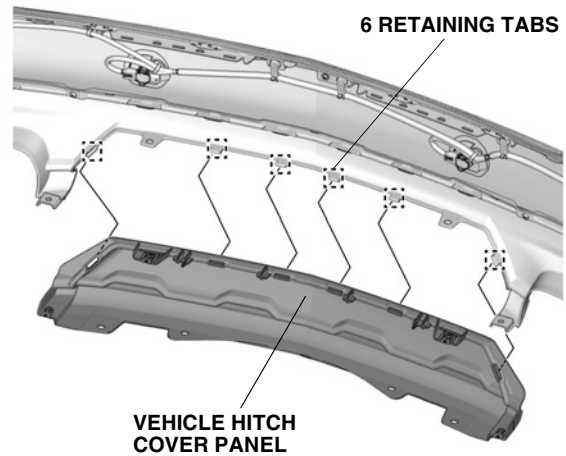
QJN0215AT

17. Remove the bolts and clips (with standard hands-free access power tailgate).



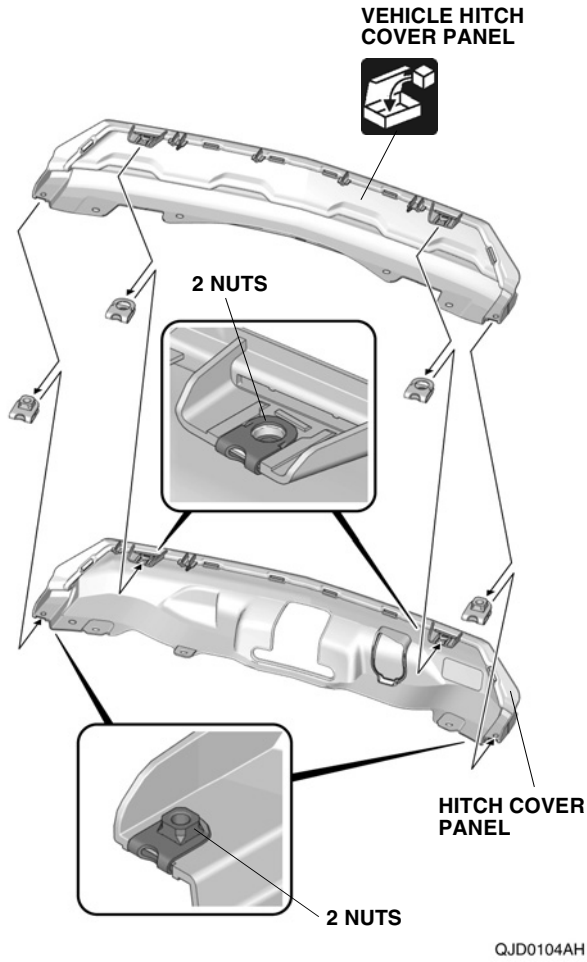
QJD0102BH

18. Remove the vehicle hitch cover panel.



QJD0103AH

19. Remove the nuts.

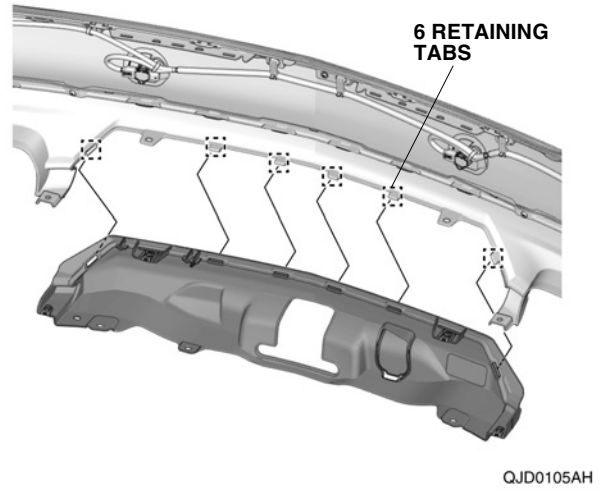


20. Install the nuts.

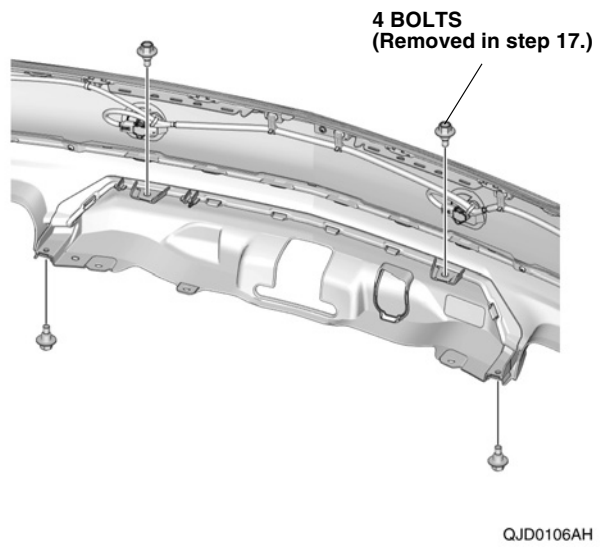
NOTE

Make sure to install the nuts in the correct orientation.

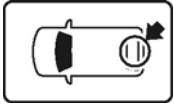
21. Install the hitch cover panel.



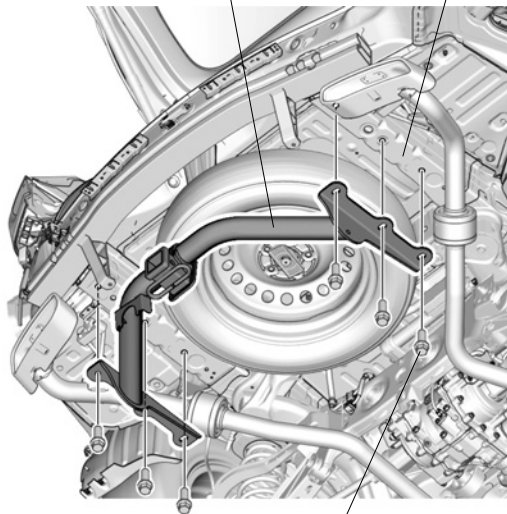
22. Secure the hitch cover panel.



23. Loosely install the trailer hitch.



TRAILER HITCH VEHICLE PANEL



6 BOLTS

QJD0107BH

24. Tighten the bolts.

NOTE

- Install in the order shown.
- Tighten the six flange bolts to an initial torque of 32 lb-ft (43 N·m) as shown. Then, tighten the bolts to a final torque of 63 lb-ft (85 N·m).
- After tightening all the bolts, recheck their torque.

6 BOLTS

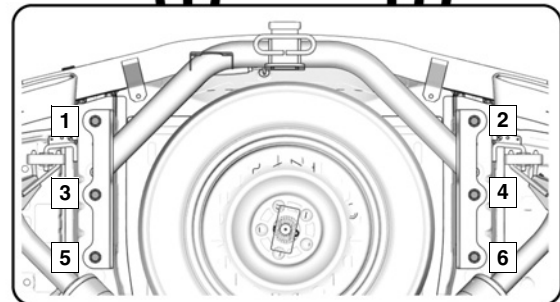
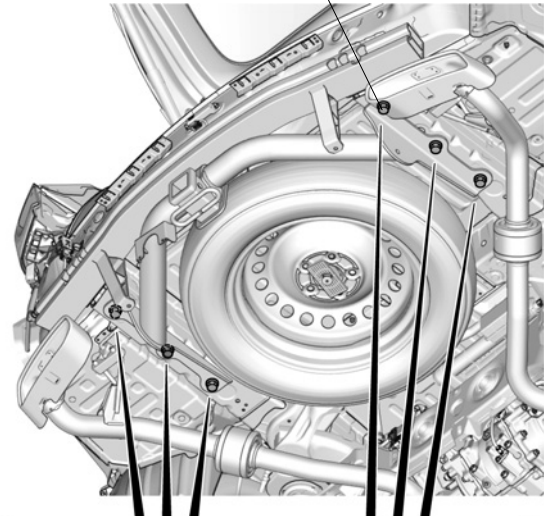


32 lb-ft
(43 N·m)

6 BOLTS



63 lb-ft
(85 N·m)



QJD0108BH

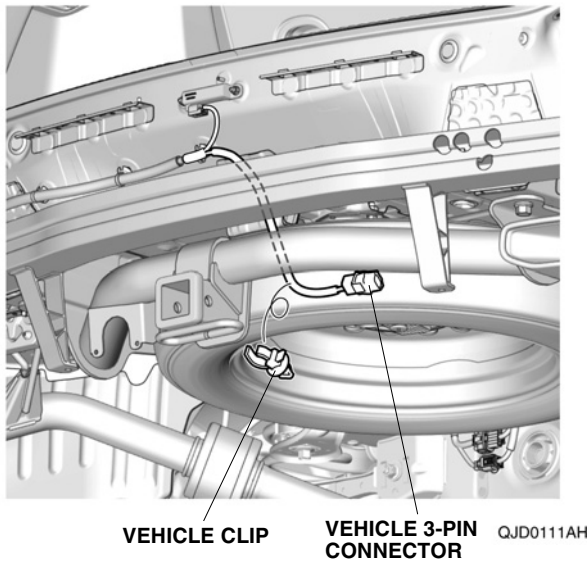
25. Choose one of these options.

- With standard hands-free access power tailgate
Go to step 26
- Without standard hands-free access power tailgate
Go to step 30

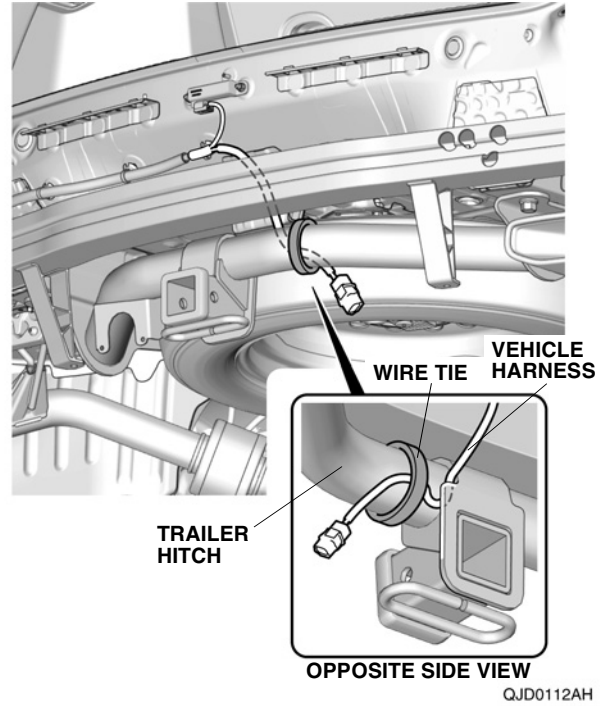
26. Cut out the vehicle clip.

NOTE

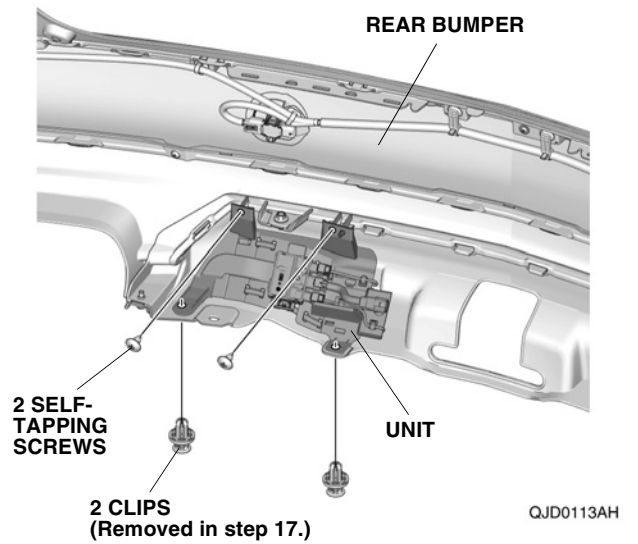
Be careful not to damage the vehicle harness.



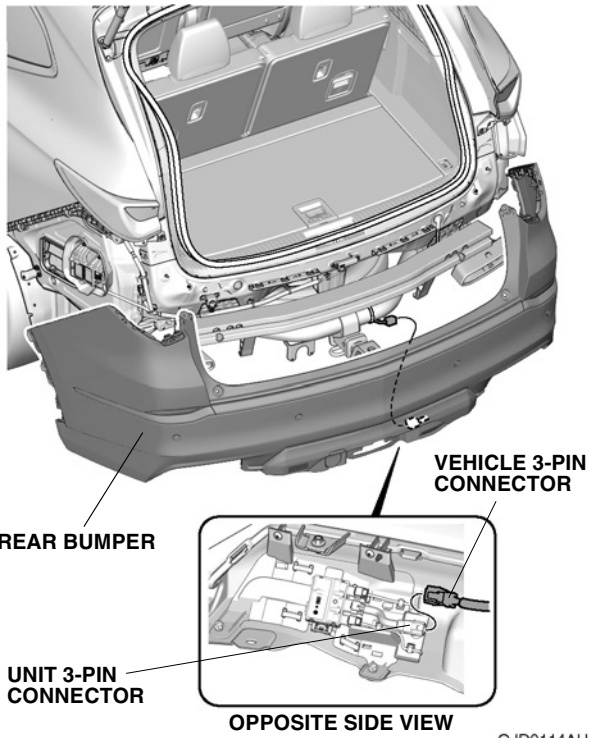
27. Secure the vehicle harness.



28. Install the unit.



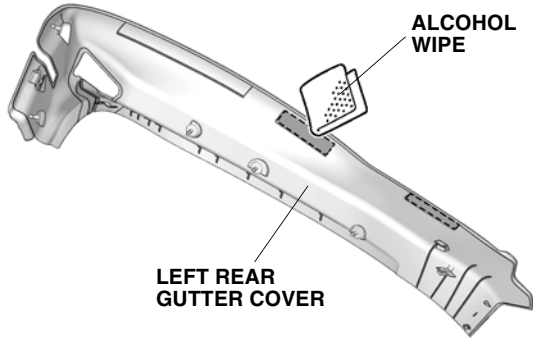
29. Plug the vehicle connector.



QJD0114AH

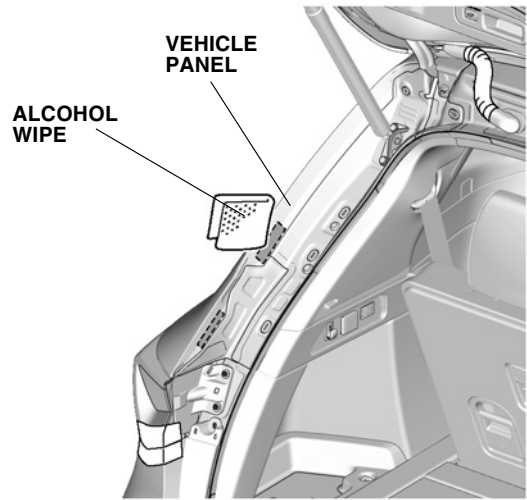
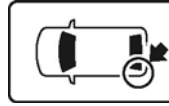
30. Install the rear bumper.

31. Clean the left gutter cover.



QL12122BH

32. Clean the vehicle panel.

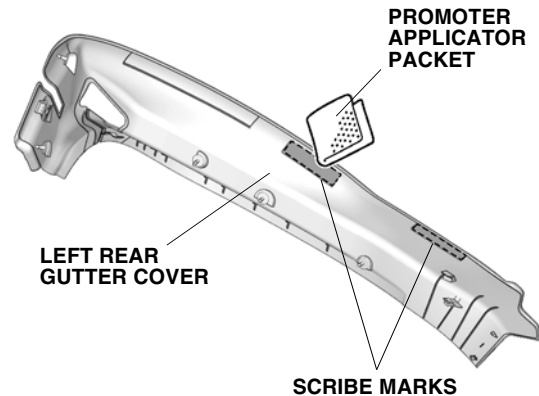


QL03001AH

33. Apply the promoter.

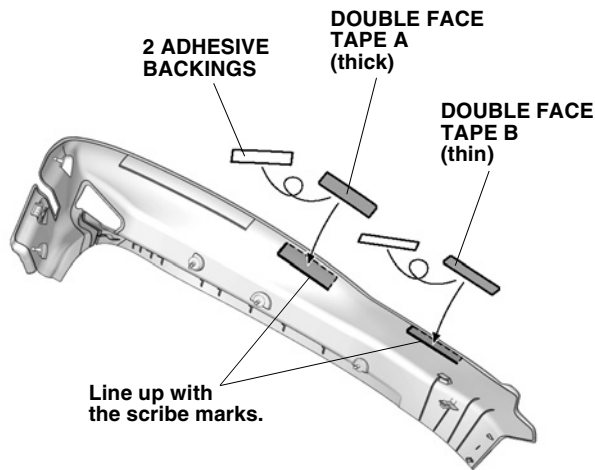
NOTE

- Apply in well ventilated area.
- Allow to dry thoroughly more than 30 seconds after applying the promoter.



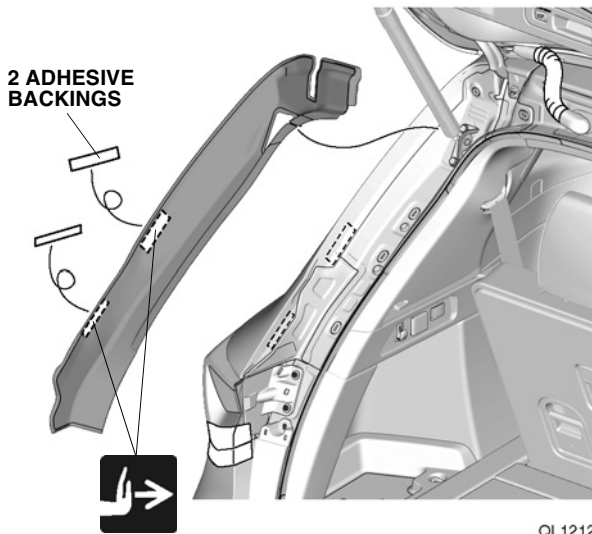
QL12122BH

34. Attach the double face tape A and B.



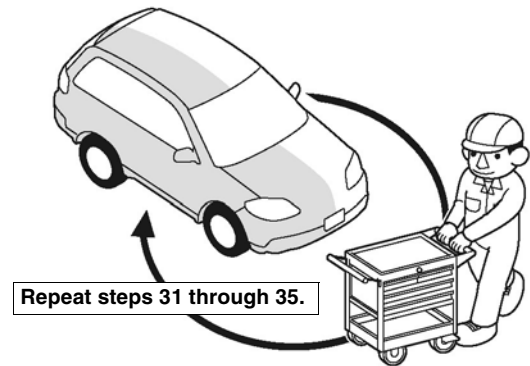
QL12123AH

35. Install the left rear gutter cover.



QL12124BH

36. Repeat the same procedures on the other side.



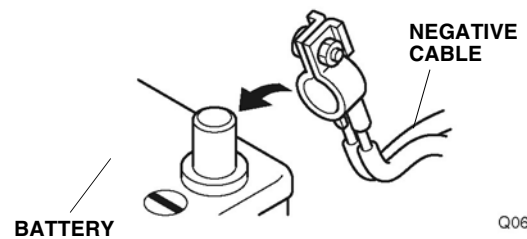
Q9D1014AM

37. Check that all parts are installed and properly routed.

NOTE
<ul style="list-style-type: none"> • Check that all harnesses are not pulled and not pinched. • Make sure all clamps and wire ties are securely installed.

38. Install all removed parts.

39. Connect the negative cable to the battery.

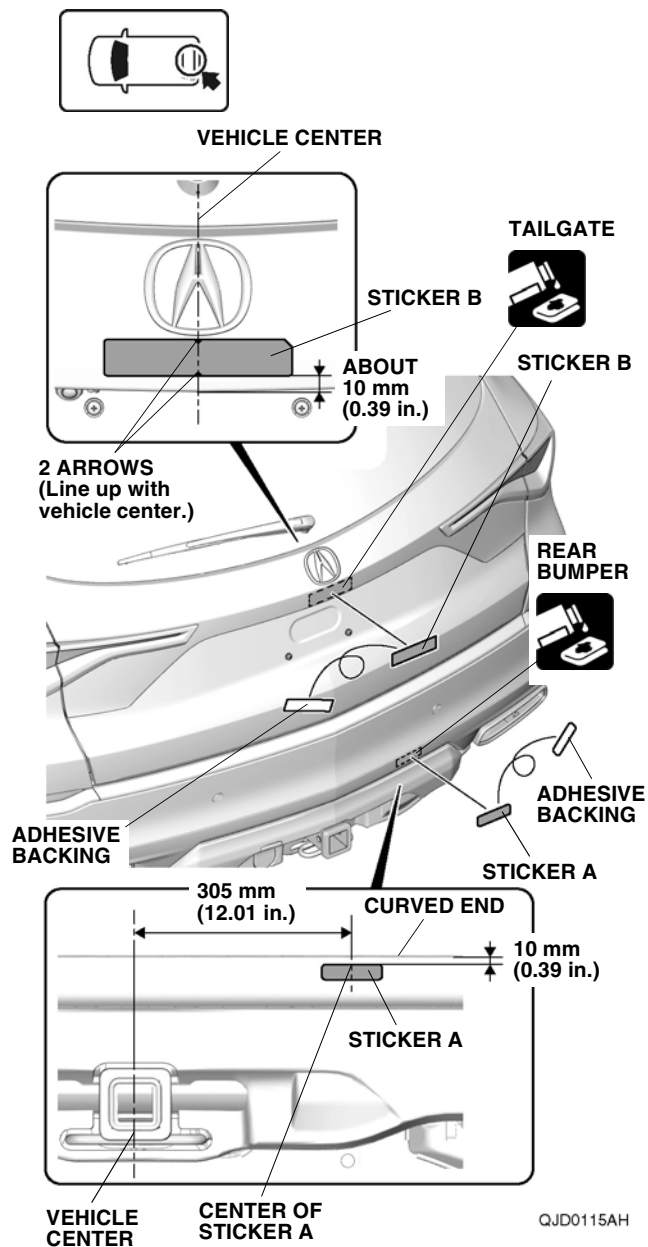


Q060702BM

40. Perform operation check by referring to the Accessory User's Information Manual (with hands-free access power tailgate unit kit).
41. Make sure all accessories and systems operate properly.
42. If necessary, restore the systems back to normal operation as described in the service information.
43. Press and hold the audio unit power button for 2 seconds to restore the audio and navi (if equipped) system functions.

With hands-free access power tailgate unit kit

44. Attach the stickers A and B.

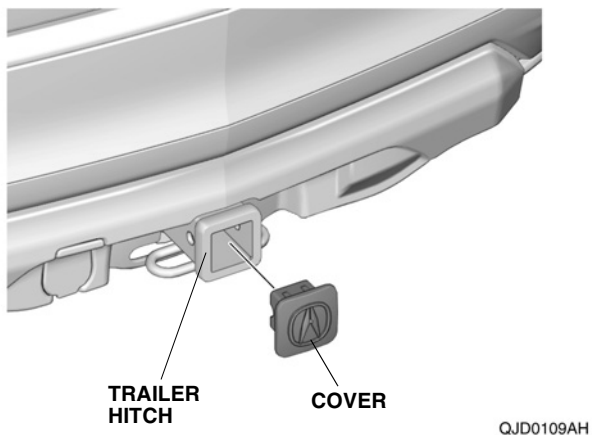


Please give your client a copy of this page.

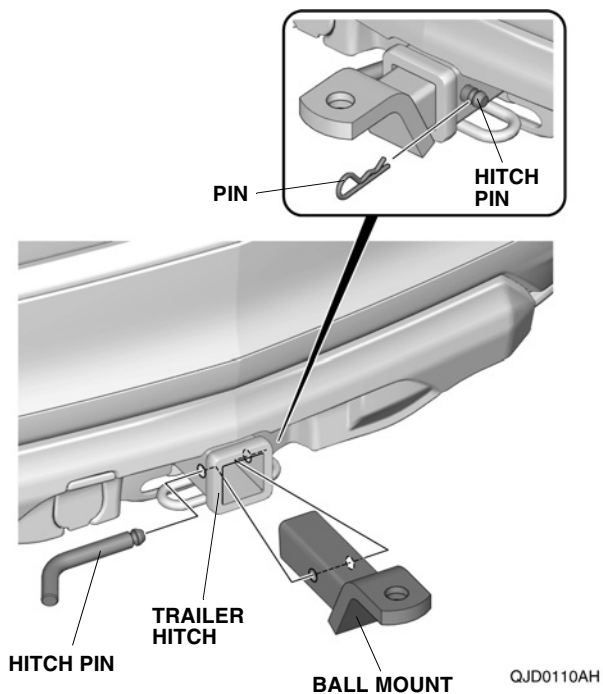
TRAILER HITCH

Whenever you remove the pin, the hitch pin, and the ball mount, store them securely in the cargo area. Install the cover into the opening at the end of the trailer hitch.

When you reinstall the ball mount, store the cover in the cargo area.



Install the ball mount into the trailer hitch using a pin and hitch pin.



After the first 600 miles (1,000 km) of towing, have your Acura Dealer re-check the tightness of the trailer hitch bolts.