



INSTALLATION INSTRUCTIONS

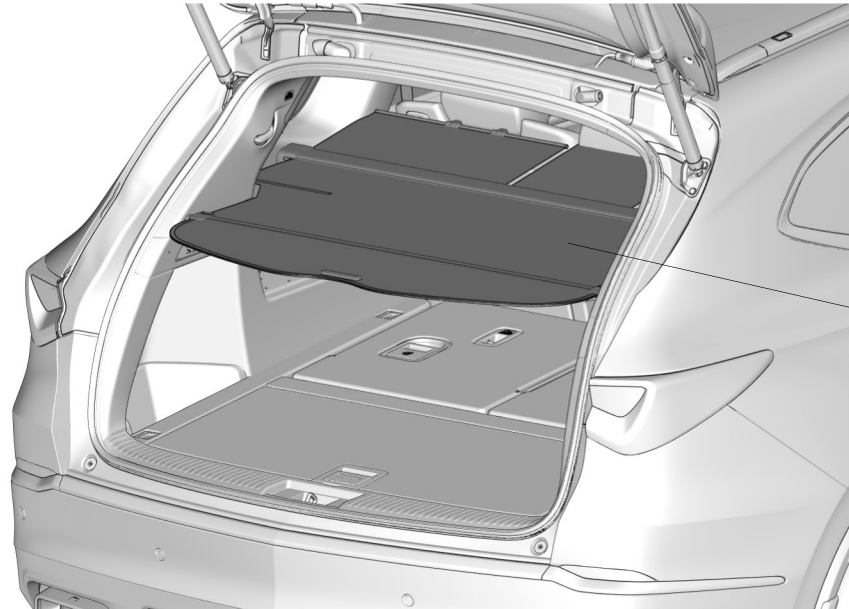
Accessory
CARGO COVER

Application
2022 MDX MODEL SERIES

Publications No.
VERSION 2

Issue Date
JUN 2022

GENERAL VIEW



CARGO COVER

QK21901AJ

FOR YOUR SAFETY (Read carefully.)

Warning Symbols

Safety: Your safety, and the safety of others, is important. To help you make informed decisions about service procedures, we have provided safety messages where appropriate. Of course, it is not practical or possible to warn you about all the hazards associated with servicing a vehicle - you must use your own good judgment.

You will find important safety messages preceded by one of following symbols:

*All symbols are not used in all installation instructions.

Introduction of Symbol Messages

- These symbols warn you about the possible hazards and explain how to avoid them. And give you some advices.

 **DANGER**

You will be killed or seriously hurt if you do not follow the instructions.

 **WARNING**

You can be killed or seriously hurt if you do not follow the instructions.

 **CAUTION**

You can be hurt if you do not follow the instructions.

NOTICE

Gives advice to prevent damage to the product, vehicle, the environment or other property.

NOTE

Gives helpful information or instructions to be followed when installing this product.

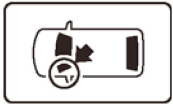


Indicates a prohibited action.

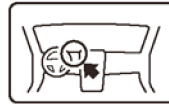
Procedure and Location Icons

These icons indicate the work location and the worker's point of view.

*All icons are not used in all installation instructions.



The location on the vehicle.



The location in the vehicle.
(instrument panel.)



Wear eye protection.



Wear heavy gloves.



Use an assistant.



Place the part on a blanket.



Work perpendicular.



Remove any burrs.



Use touch-up paint and allow to dry.



Tighten to the specified torque.



Apply firm pressure while rolling, especially at the ends, to set the adhesive.



Press firmly.



Clean with isopropyl alcohol.



Return the original part to the customer.
(Do not use.)

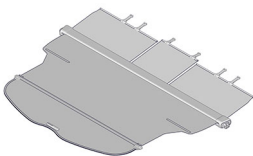
Safety: General

- Observe all safety notes and precautions described in the service information, in addition to those described in this Installation Instruction. Be extremely careful for your safety and safety of others.
- Be careful not to damage the vehicle or the parts.
- The illustrations may differ slightly from the actual accessory.

PARTS LIST

Cargo Cover Kit (P/N 08U35-TYA-200A)

Cargo Cover



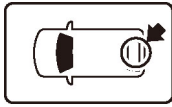
REQUIRED TOOLS AND SUPPLIES

The following tools are available through the Acura Tool and Equipment Program:

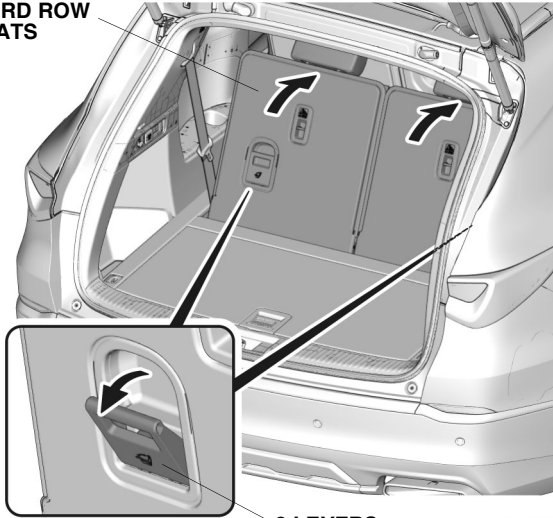
- Trim Tool Set (T/N SOJATP2014)
- Plastic Trim Tool (T/N SILTRIMTL10)

INSTALLATION

1. Open the tailgate.



THIRD ROW SEATS

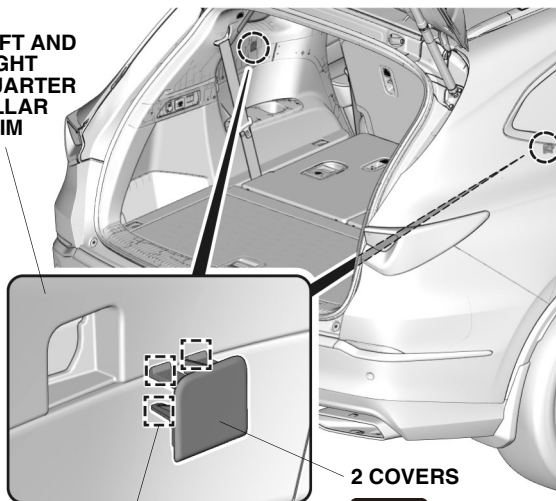


2 LEVERS

QK22002AJ

2. Fold down the third row seats.
3. Remove the covers.

LEFT AND RIGHT QUARTER PILLAR TRIM



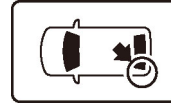
6 RETAINING TABS

2 COVERS

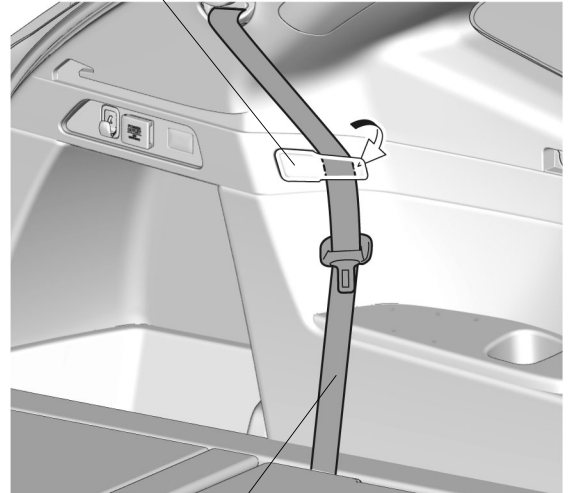


QK21902AJ

4. Secure the left third row seat belt.



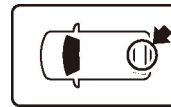
SEAT BELT CATCH



LEFT THIRD ROW SEAT BELT

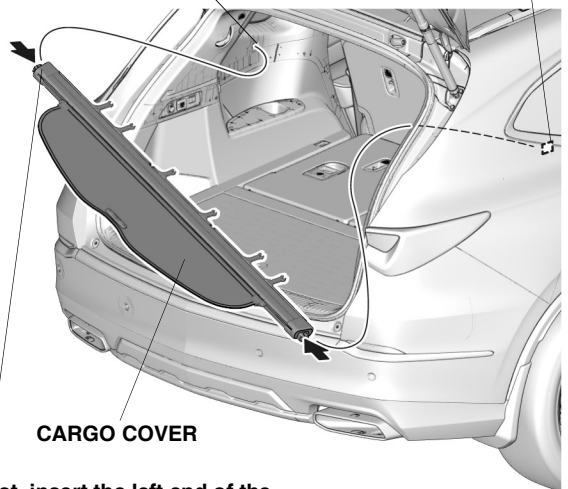
QK21903AJ

5. Repeat step 4 for the other side.
6. Install the cargo cover.



RECESS

RECESS

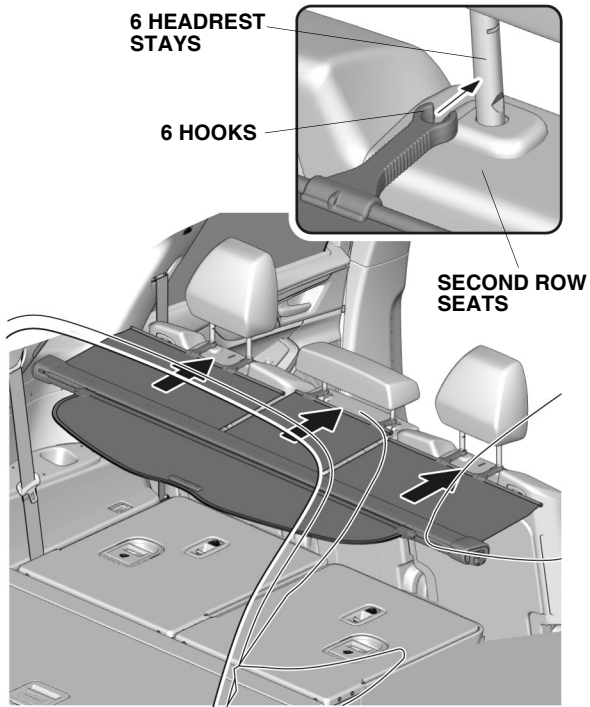


CARGO COVER

First, insert the left end of the cargo cover into the left recess. Then, compress the cargo cover, and install the right end into the right recess.

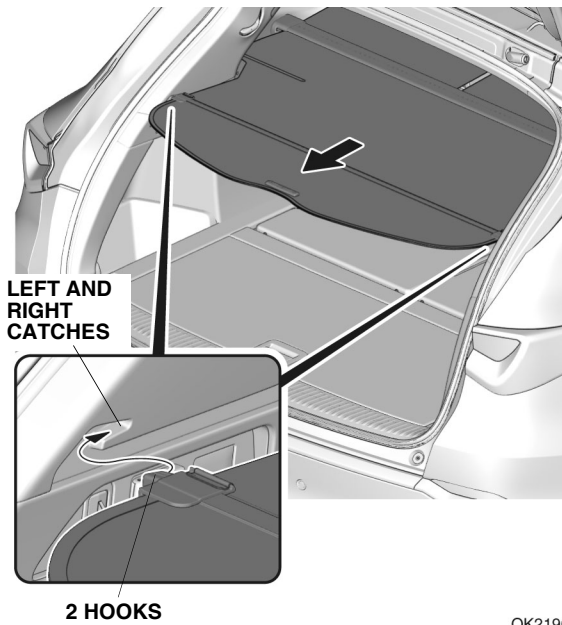
QK21904AJ

7. Attach the hooks.



QK21905AJ

8. Attach the hooks.



QK21906AJ

9. Check that all parts are installed properly.

Please give your client a copy of this page.

Cleaning the Cargo Cover

Use a sponge or cloth and a solution of mild liquid dishwashing soap and water, then wipe dry with a clean cloth or sponge.