



INSTALLATION INSTRUCTIONS

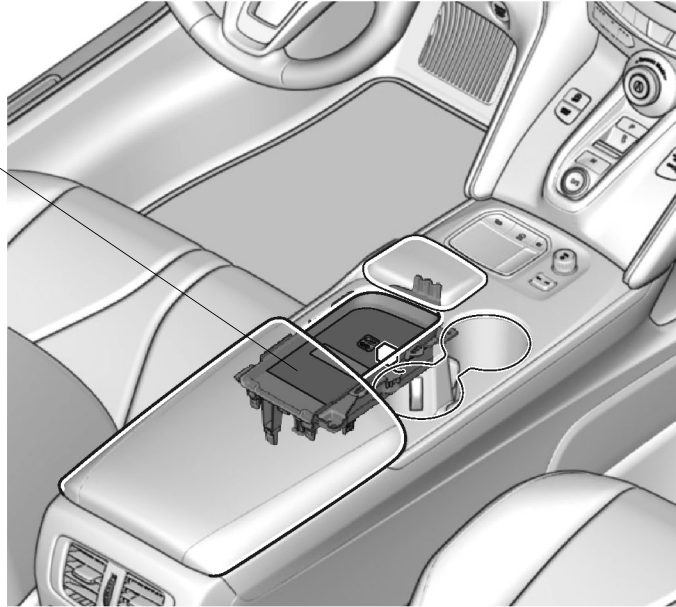
Accessory
WIRELESS CHARGER

Application
2021 TLX

Publications No.
VERSION 1
Issue Date
SEP 2020

GENERAL VIEW

WIRELESS CHARGER UNIT



QJ72504AA

FOR YOUR SAFETY (Read carefully.)

Warning Symbols

Safety: Your safety, and the safety of others, is important. To help you make informed decisions about service procedures, we have provided safety messages where appropriate. Of course, it is not practical or possible to warn you about all the hazards associated with servicing a vehicle - you must use your own good judgment.

You will find important safety messages preceded by one of following symbols:

*All symbols are not used in all installation instructions.

 **DANGER**

You will be killed or seriously hurt if you do not follow the instructions.

 **WARNING**

You can be killed or seriously hurt if you do not follow the instructions.

 **CAUTION**

You can be hurt if you do not follow the instructions.

NOTICE

Gives advice to prevent damage to the product or vehicle
Gives helpful information or instructions to be followed when using the product



Indicates a prohibited action

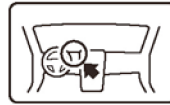
Procedure and Location Icons

These icons indicate the work location and the worker's point of view.

*All icons are not used in all installation instructions.



The location on the vehicle.



The location in the vehicle.
(instrument panel.)



Wear eye protection.



Wear heavy gloves.



Use an assistant.



Place the part on a blanket.



Work perpendicular.



Remove any burrs.



Use touch-up paint and allow to dry.



Tighten to the specified torque.



Apply firm pressure while rolling, especially at the ends, to set the adhesive.



Press firmly.

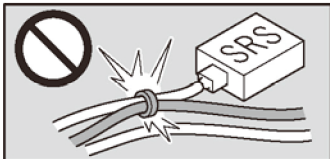


Clean with isopropyl alcohol.

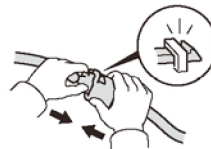


Return the original part to the customer.
(Do not use.)

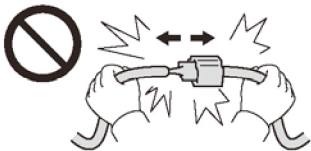
Wire Harness Routing Precautions



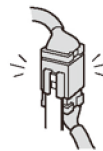
Do not secure the accessory harness and SRS harness together. (except for instruction cases).



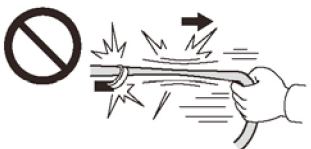
Push the connectors and terminals together until they lock.



Do not pull the harness to unplug the connectors.



Install removed connectors in their original location.



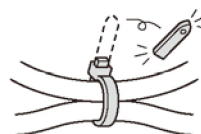
Do not pull the harness.



Secure the accessory harness as shown.



Do not pinch the harness.



Cut off the excess wire tie.

Safety: General

- Observe all safety notes and precautions described in the service information, in addition to those described in this Installation Instruction. Be extremely careful for your safety and safety of others.
- Be careful not to damage the vehicle or the parts.
- Be extremely careful when handling retaining tabs and clips.
- Note the locations of the parts before removing them so they can be properly installed in their original positions.
- The illustrations may differ slightly from the actual accessory.

Safety: Electric Parts

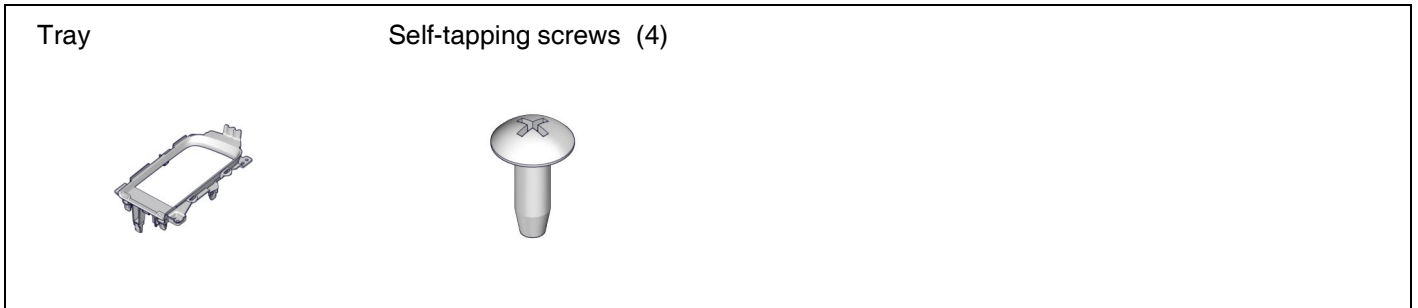
- Always disconnect the negative cable from the battery before beginning work.

Safety: Accessory

- Always use the parts and tools specified in the installation instructions.

PARTS LIST

Tray Kit (P/N 08U58-TGV-200A)



Wireless Charger Unit Kit (P/N 08U58-TGV-200)



REQUIRED TOOLS AND SUPPLIES

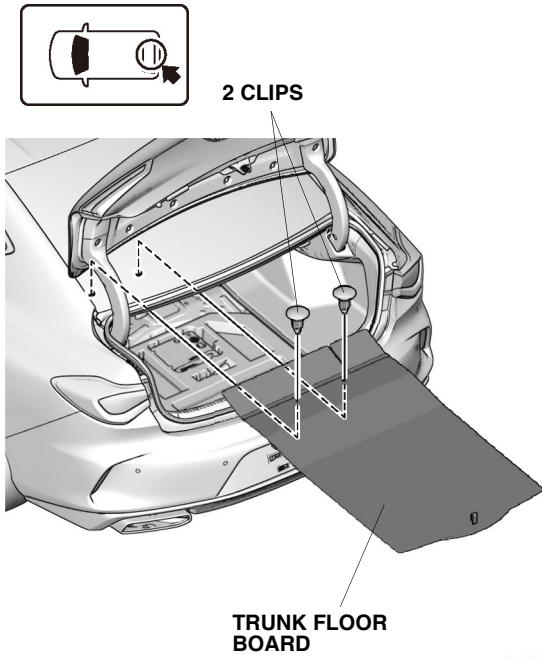
- 10 mm Open end wrench
- Masking tape
- Phillips screwdriver

The following tools are available through the Acura Tool and Equipment Program:

- Trim Tool Set (T/N SOJATP2014)
- Plastic Trim Tool (T/N SILTRIMTL10)

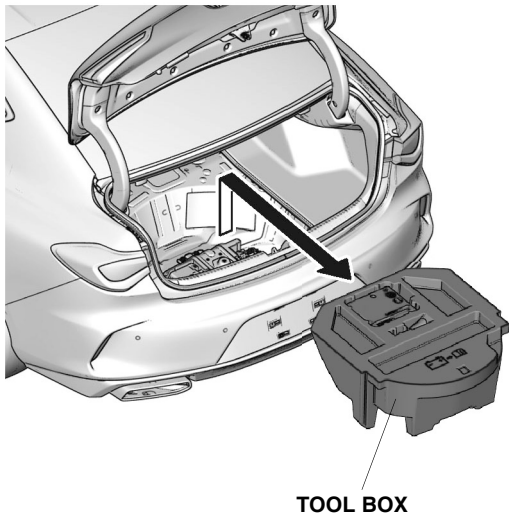
INSTALLATION

1. Remove the trunk floor board.



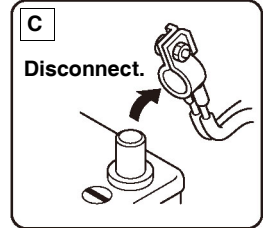
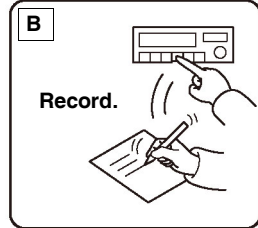
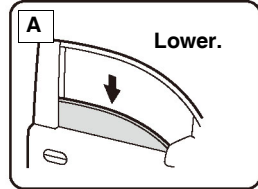
QJ72501AA

2. Remove the tool box.



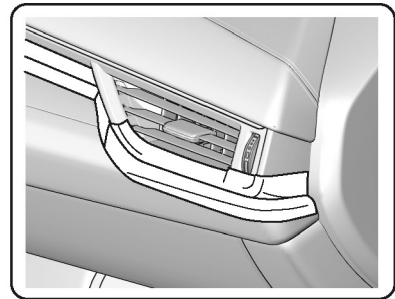
QJ72503AA

3. Disconnect the negative cable from the battery.



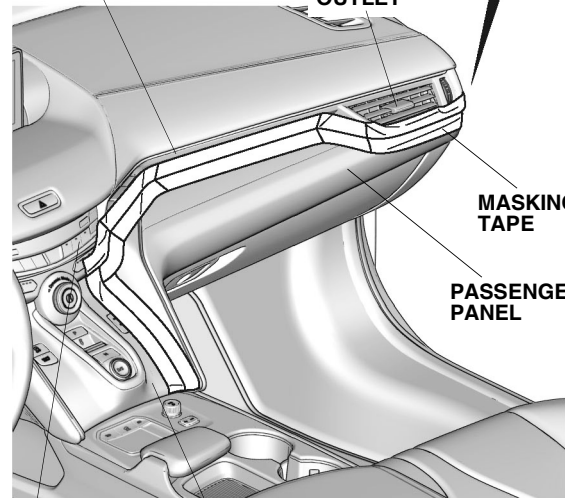
QCD0502BM

4. Attach masking tape to protect the vehicle.



INSTRUMENT PANEL

PASSENGER'S OUTLET

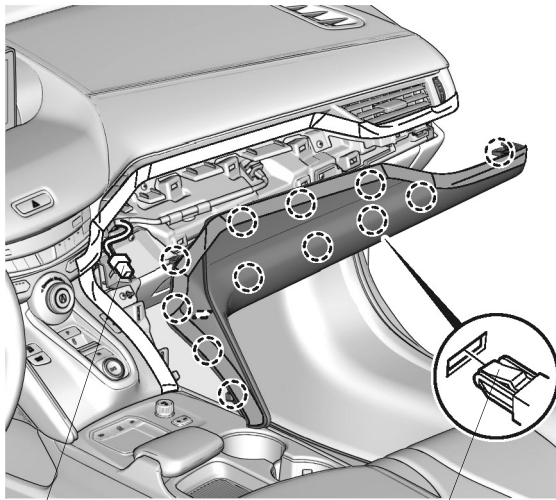


A/C CONTROL UNIT

CENTER PANEL

QJ72505AA

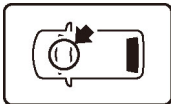
5. Remove the passenger's panel.



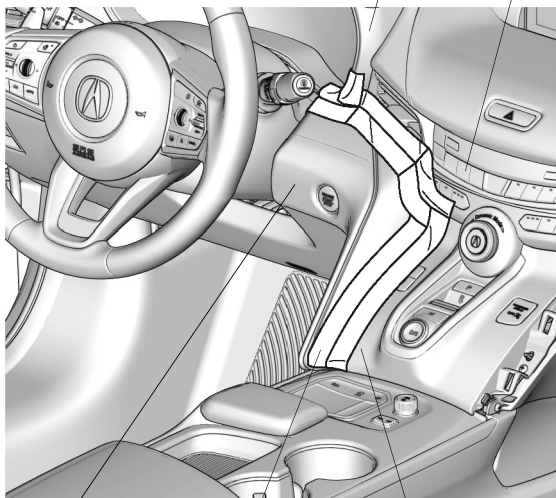
VEHICLE CONNECTOR (if equipped)

12 CLIPS QJ72506AA

6. Attach masking tape to protect the vehicle.



METER VISOR
A/C CONTROL UNIT



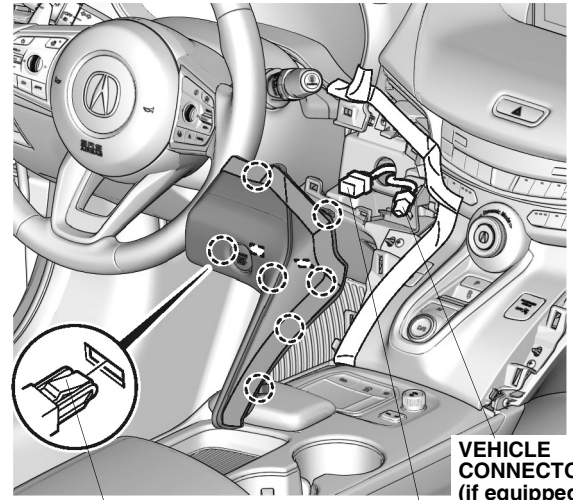
DRIVER'S PANEL

MASKING TAPE

CENTER PANEL

QJ72507AA

7. Remove the driver's panel.



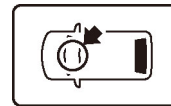
VEHICLE CONNECTOR (if equipped)

7 CLIPS

VEHICLE CONNECTOR

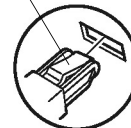
QJ72508AA

8. Remove the center panel.

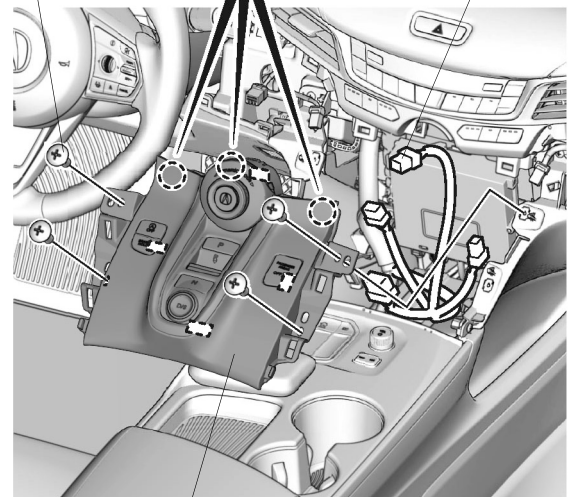


3 CLIPS

4 SELF-TAPPING SCREWS



VEHICLE CONNECTORS



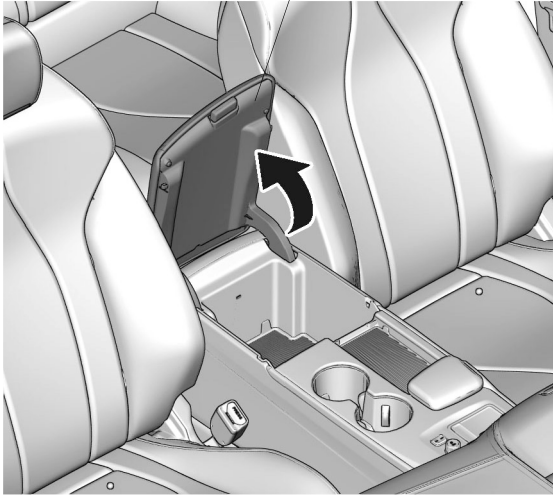
CENTER PANEL

QJ72509BA

9. Open the armrest.

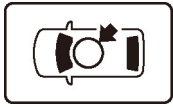


ARMREST



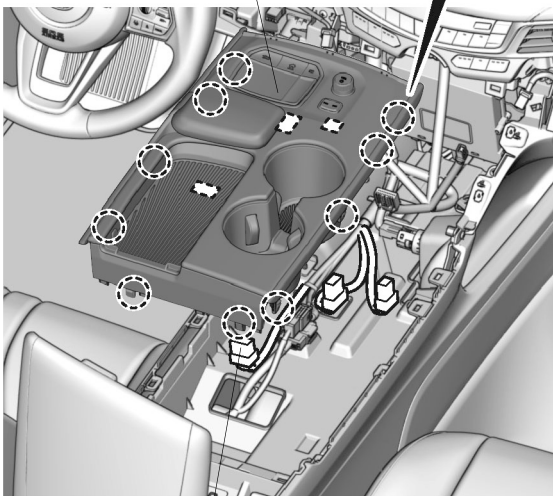
QJ72510AA

10. Remove the center console panel.



10 CLIPS

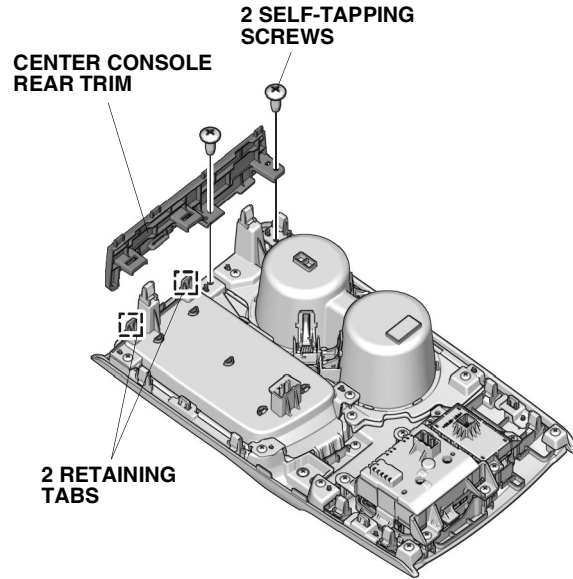
CENTER
CONSOLE
PANEL



VEHICLE
CONNECTORS

QJ72511BA

11. Remove the center console rear trim.



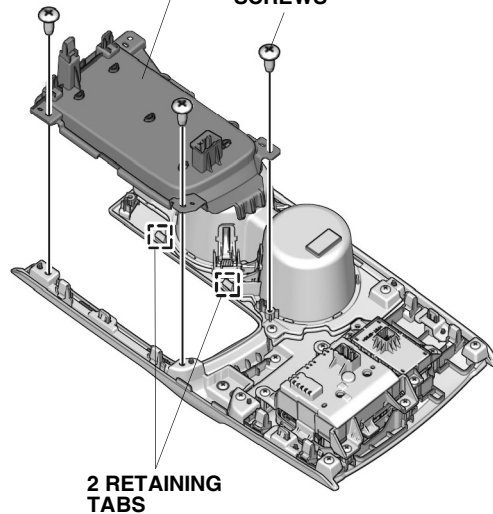
QJ72601AA

12. Remove the center console tray.

CENTER
CONSOLE TRAY

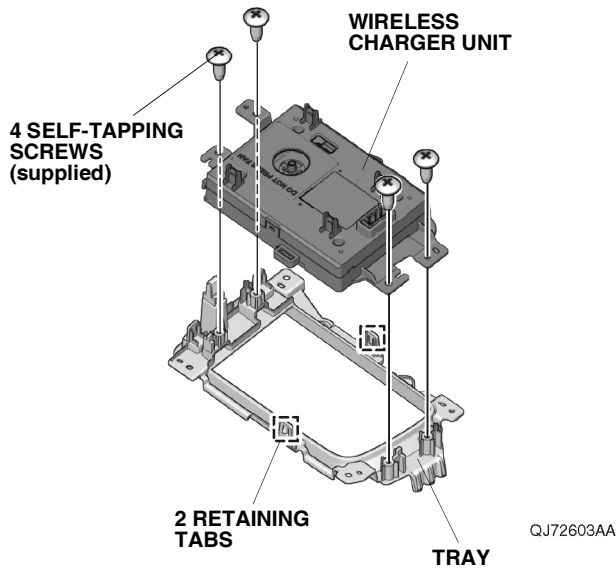


3 SELF-TAPPING
SCREWS

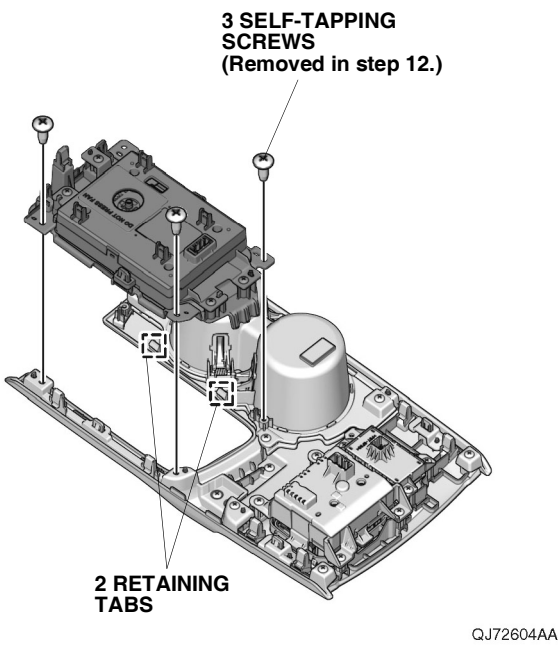


QJ72602AA

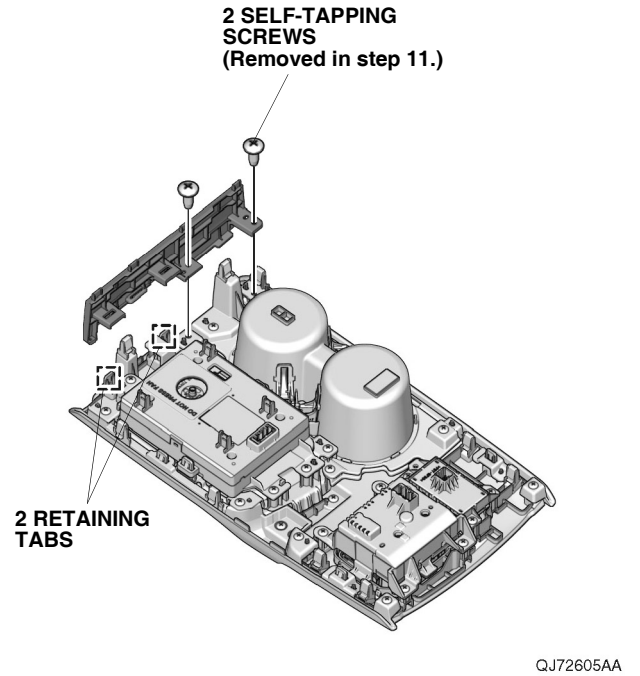
13. Install the wireless charger unit.



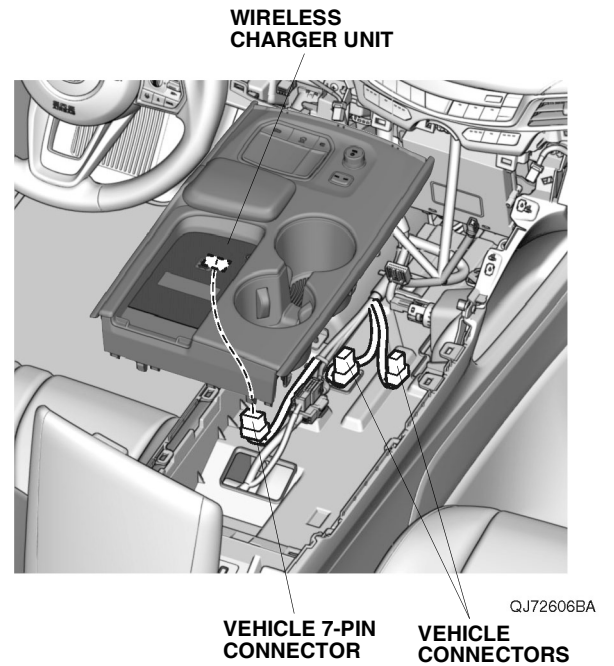
14. Install the tray.



15. Install the center console rear trim.



16. Plug in the vehicle connectors.



17. Install the center console panel.

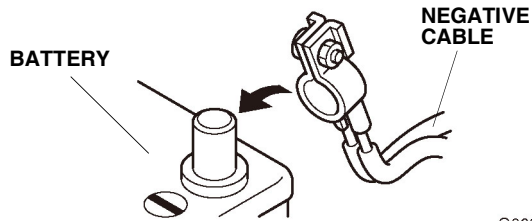
18. Check that all parts are installed and properly routed.

NOTE

- Check that all harnesses are not pulled and not pinched.
- Make sure all clamps and wire ties are securely installed.

19. Install all removed parts except for the tool box and trunk floor board.

20. Connect the negative cable to the battery.



21. Install the tool box and trunk floor board.

22. Make sure the accessory operates as described in the User's Information Manual.

23. Make sure all accessories and systems operate properly.

24. If necessary, restore the systems back to normal operation as described in the service information.

25. Press and hold the audio unit power button for 2 seconds to restore the audio and navi (if equipped) system functions.