

## Cargo Area Protector

The cargo area protector is form-fitted to the rear cargo panels and offers protection for the rear seat-backs and side linings.

The protectors themselves are held in place with plastic rivets that must be installed with a 6 mm Rotabroach Kit. You must install the rivets in a specific sequence. So, be sure to follow the steps in the installation instructions; they are written to ensure proper installation.



Rivet (qty. 25) for the  
Cargo Protector

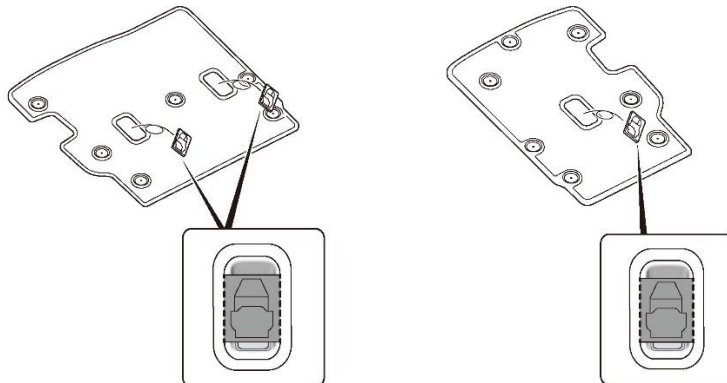


T/N: BLR11201SO

Rotabroach Kit

Before installing the accessory cargo area protectors, be sure to review the following installation instructions and the Tech2Tech® video "Install Those Accessory Cargo Area Protectors Trouble-Free!".

Make sure you remove the tether anchor alignment features from the left and right rear seat-back protectors as shown within the following installation instructions.





# INSTALLATION INSTRUCTIONS

Accessory  
**CARGO AREA PROTECTORS**  
P/N 08P42-TJB-200

Application  
**2021 RDX**

Publications No.  
**VERSION 1**  
Issue Date  
**JUN 2020**

## PARTS LIST

Left rear seat-back protector



Right rear seat-back protector



Left rear side lining protector



Right rear side lining protector



25 Rivets



## TOOLS AND SUPPLIES REQUIRED

Flat-tip screwdriver

Drill

3 mm Drill bit

T-pin

Masking tape

File

Ruler

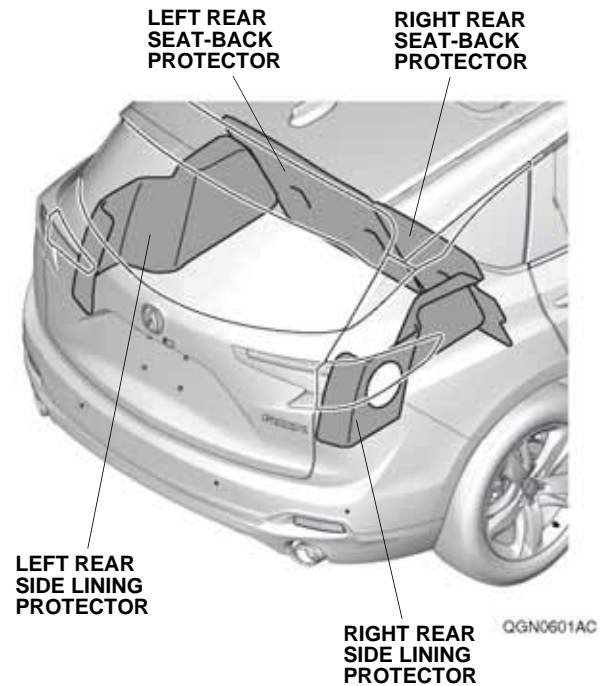
Utility knife

Eye protection (face shield, safety goggles, etc.)

*The following tool is available through the Acura Tool and Equipment Program. On the iN, click on: Service > Service Bay > Tool and Equipment Program, then enter the number under "Search." Or, call 888-424-6857.*

Rotabroach Hole Cutting Kit (T/N BLR11201SO)

## Illustration of the Cargo Area Protectors in the Vehicle



## INSTALLATION

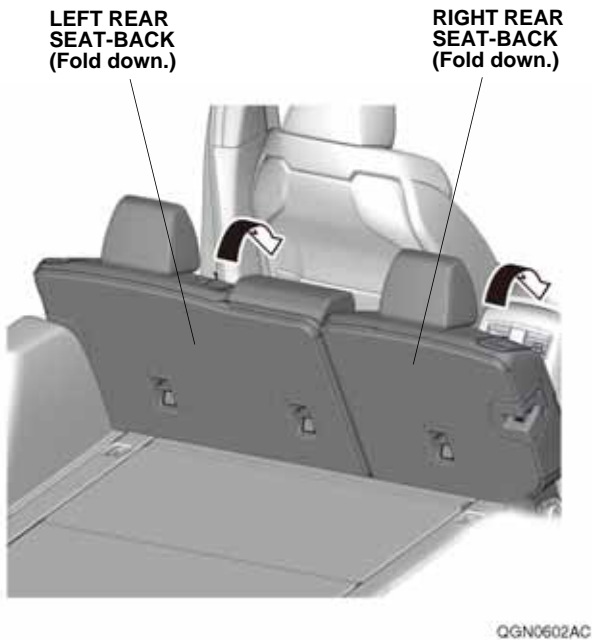
**Client Information:** The information in this installation instruction is intended for use only by skilled technicians who have the proper tools, equipment, and training to correctly and safely add equipment to your vehicle. These procedures should not be attempted by “do-it-yourselfers.”

### NOTE:

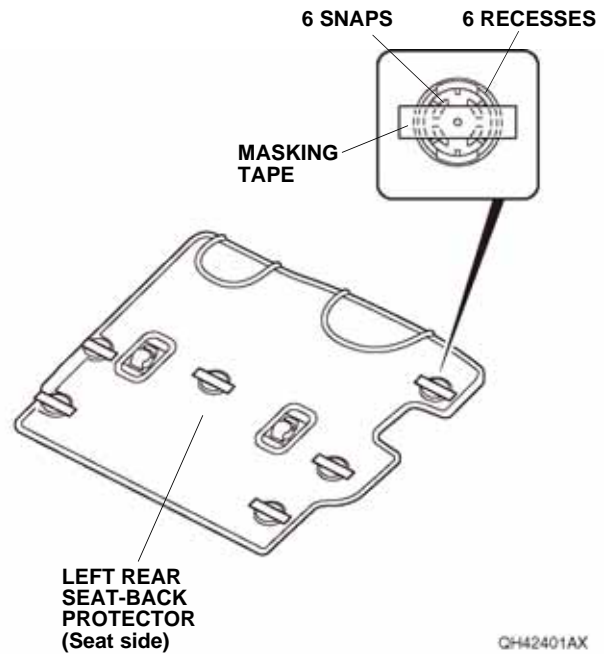
- If you are also installing cargo tray (sold separately), install the cargo tray before the cargo area protector.
- Be careful not to damage the body.

### Installing the Cargo Area Protectors

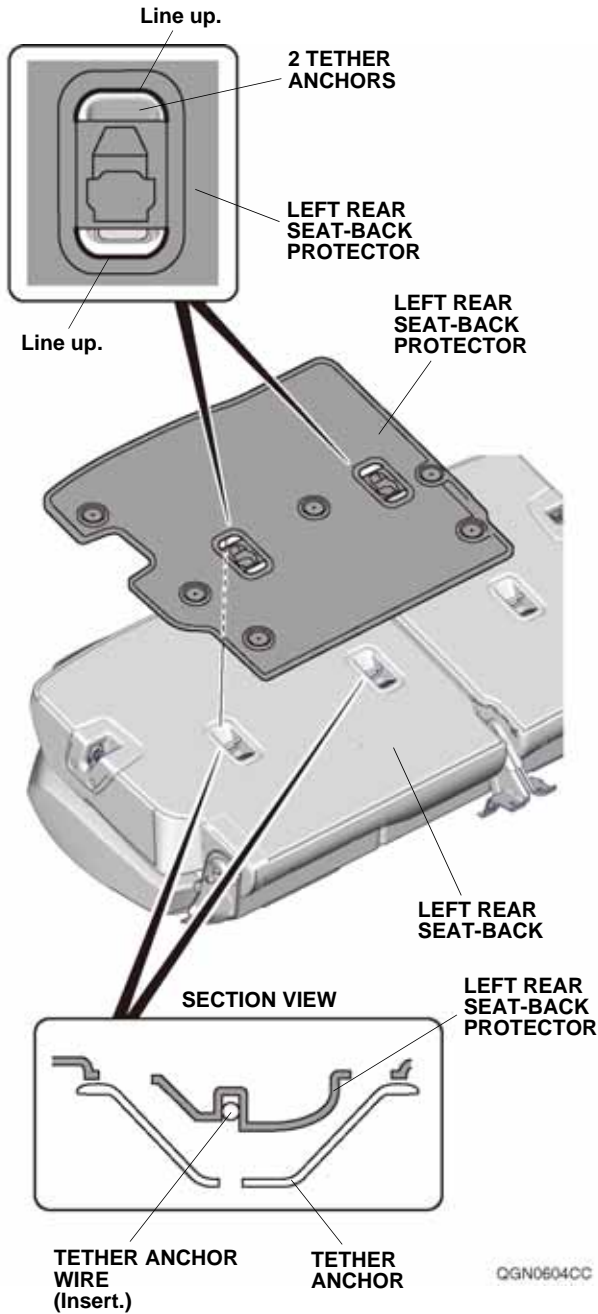
1. Fold down the left and right rear seat-backs.



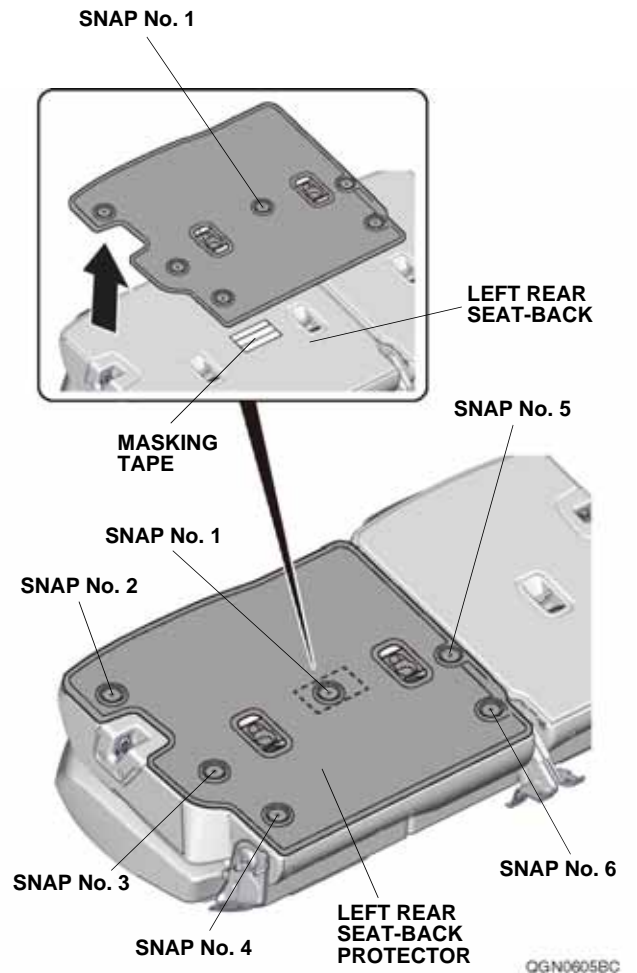
2. Center the snaps on the left and right rear seat-back protectors, and tape them in place on the back surface as shown.  
NOTE: Follow the same procedure for three remaining cargo protectors.



- Place the left rear seat-back protector on the left rear seat-back. Line it up with two tether anchors as shown.

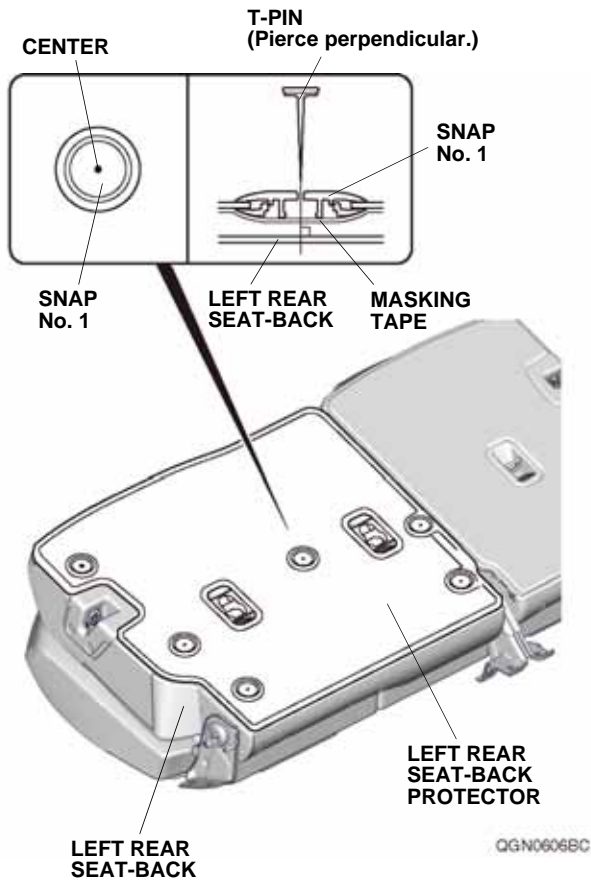


- Lift the edge of the left rear seat-back protector. Apply masking tape to the left rear seat-back where the snap No. 1 will be located.

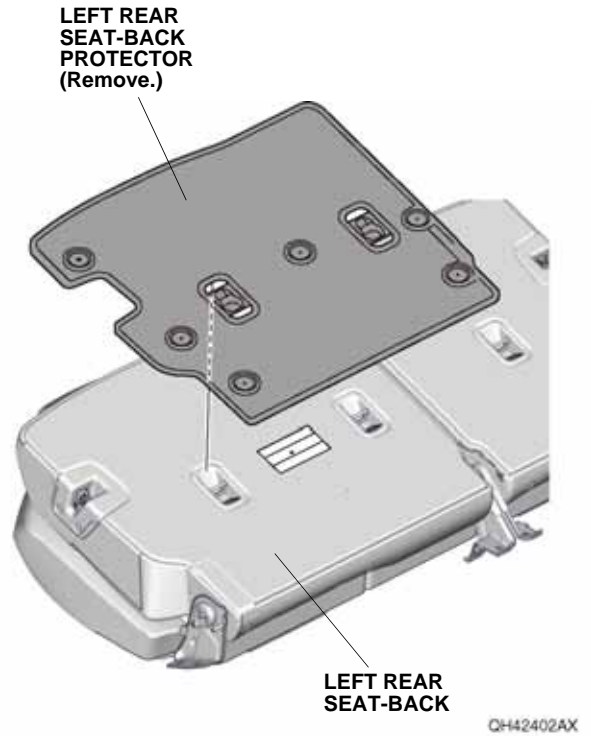


- Using a T-pin, pierce the left rear seat-back through the hole in snap No. 1 as shown.  
NOTE: Make sure you pierce perpendicular to the left rear seat-back.

**NOTICE:** Make sure to mark and drill the snap locations at a time in the order shown. Otherwise, the seat-back protector may not line up properly with the seat back.



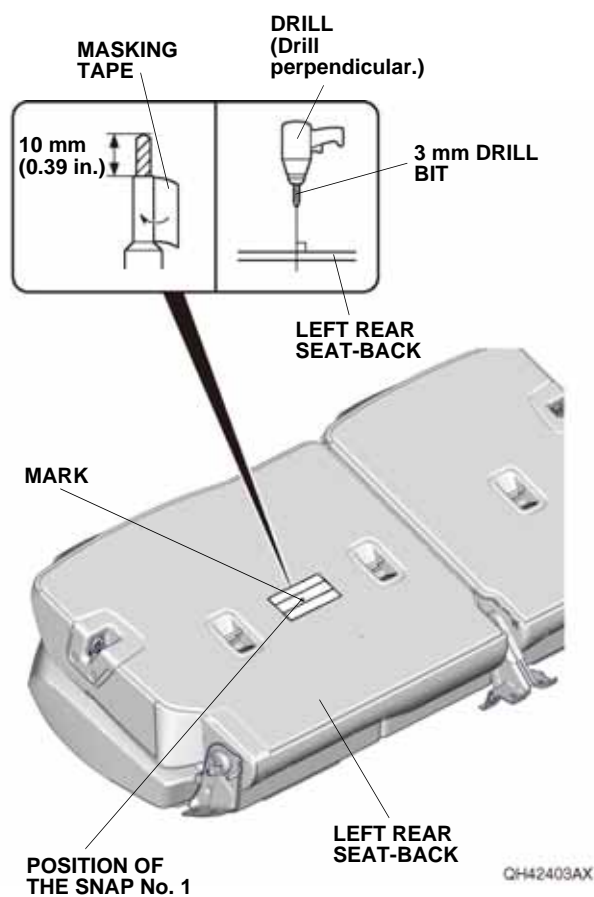
- Remove the left rear seat-back protector.



7. While wearing eye protection, drill the pierced mark in step 5 to 3 mm. Drill with a 3 mm drill bit.

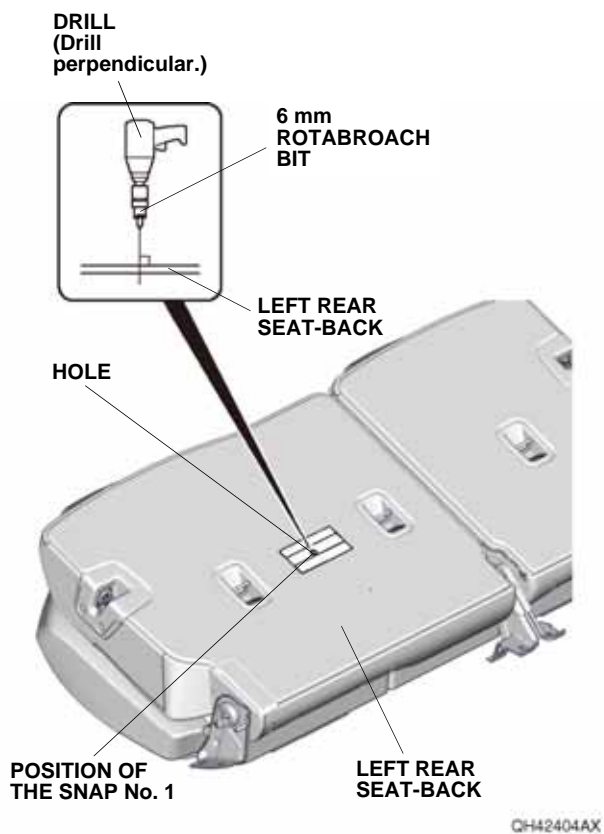
NOTE:

- Wrap masking tape around a 3 mm drill bit, 10 mm (0.39 in.) away from the tip, or use a drill stop.
- Make sure to drill perpendicular to the left rear seat-back.

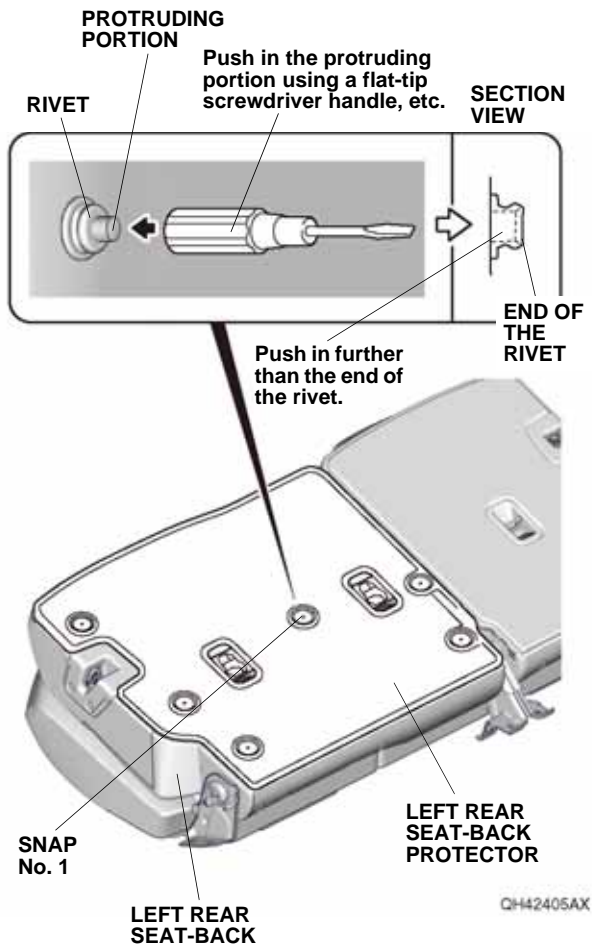


8. While wearing eye protection, enlarge the drilled hole in step 7 to 6 mm. Drill with a 6 mm Rotabroach bit.

NOTE: Make sure to drill perpendicular to the left rear seat-back.

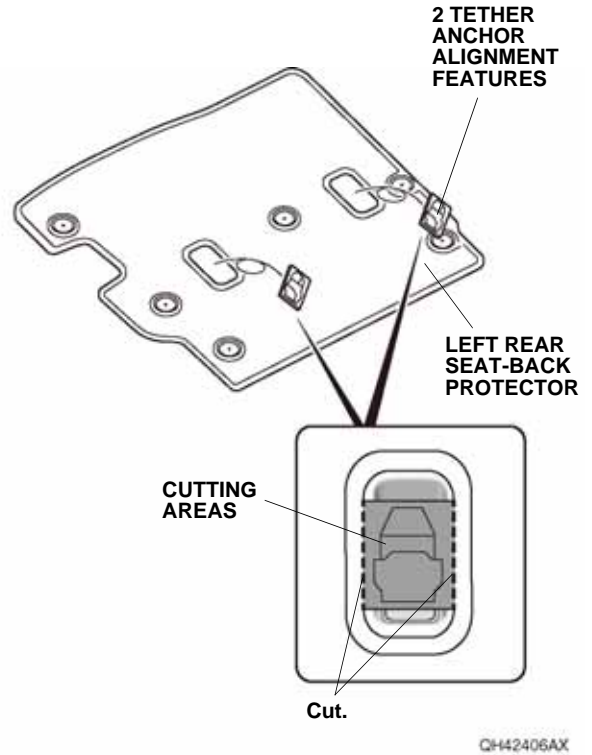


9. Remove the masking tape from snap No. 1, and the masking tape on the seat-back in that location. Remove any burrs.
10. Install the rivet for snap No. 1 to the left rear seat-back as shown.



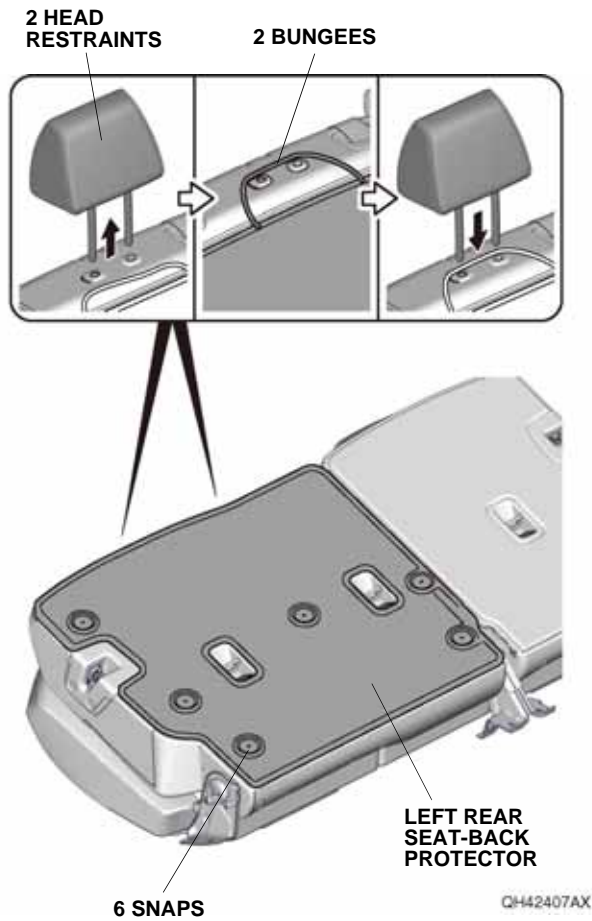
11. Attach the left rear seat-back protector to the left rear seat-back with snap No. 1. Then, repeat steps 3 through 10 in order for the remaining five snaps.

12. Using a utility knife, cut and remove the tether anchor alignment features on the left rear seat-back protector.





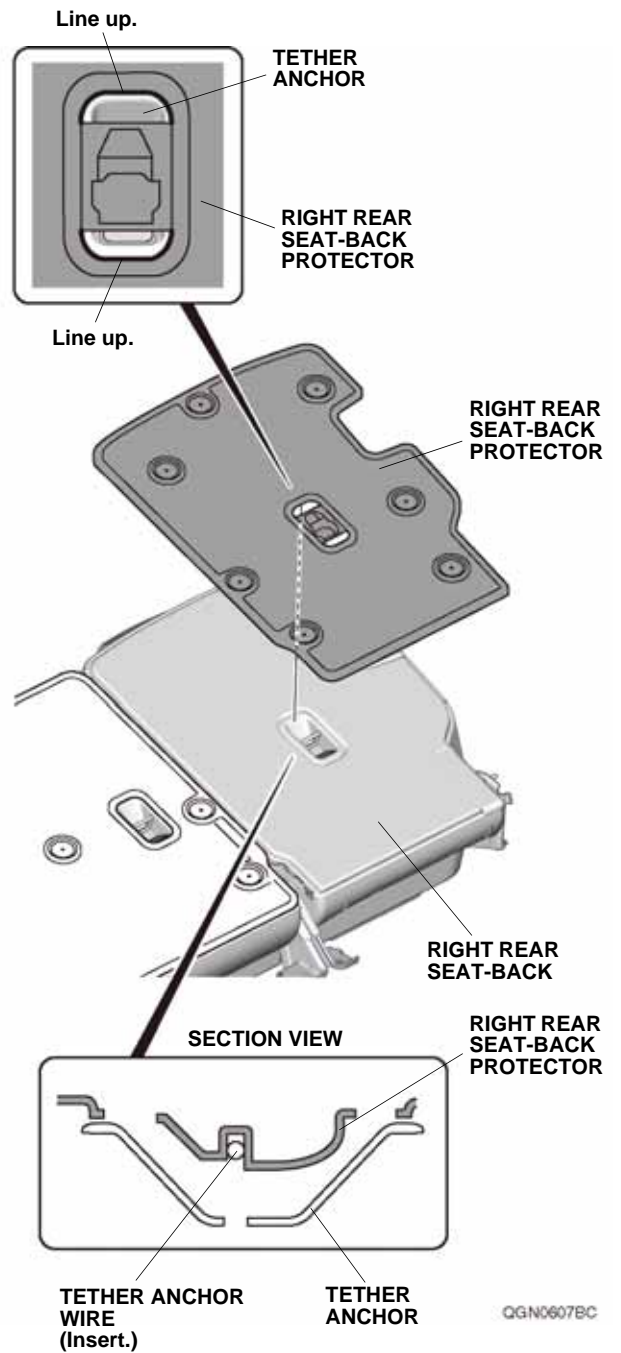
13. Secure the left rear seat-back protector on the left rear seat-back with the six snaps.



14. Remove the left rear seat head restraints, and attach the two bungees. Install the head restraints.

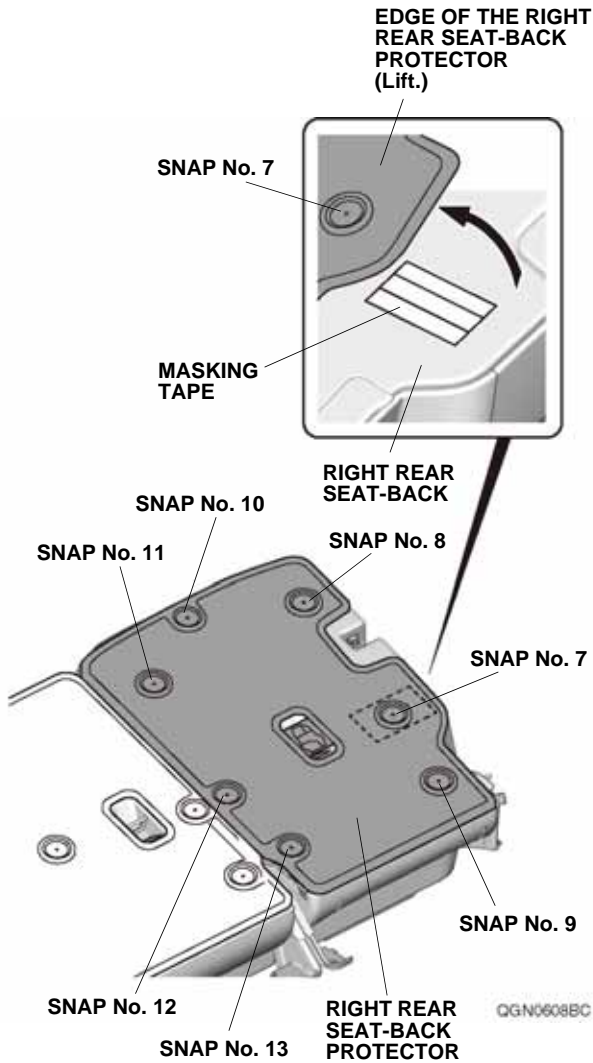
15. Place the right rear seat-back protector on the right rear seat-back. Line it up with the tether anchor as shown.

NOTE: Make sure the left and right rear seat-back protectors are parallel with each other.





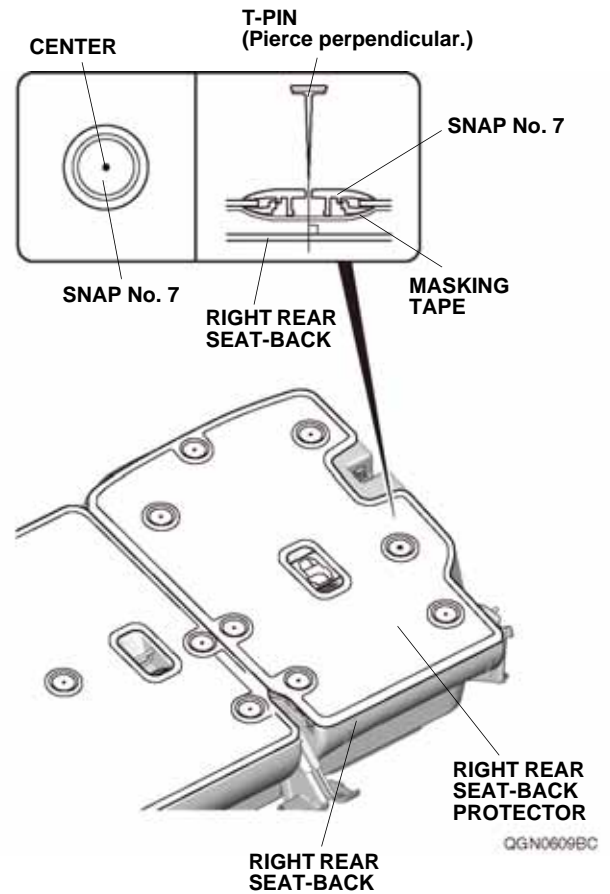
16. Lift the edge of the right rear seat-back protector. Apply masking tape to the right rear seat-back where the snap No. 7 will be located.



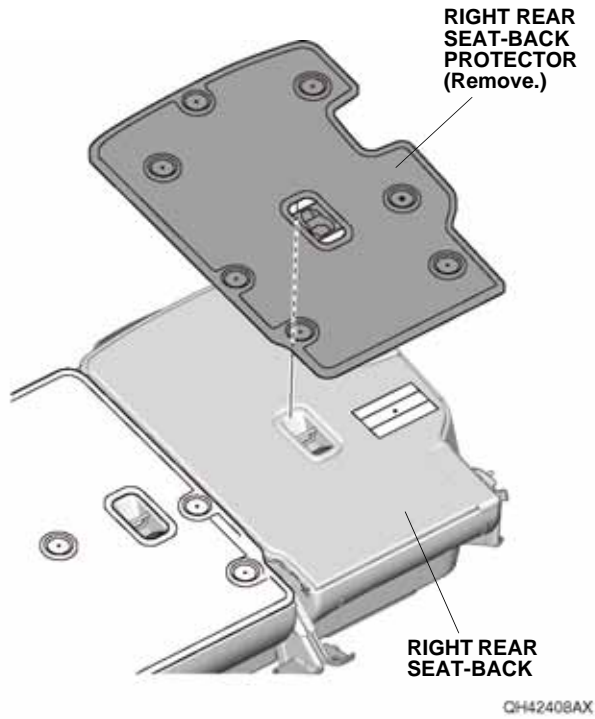
17. Using a T-pin, pierce the right rear seat-back through the hole in snap No. 7 as shown.
- NOTE:

- Make sure you pierce perpendicular to the left rear seat-back.
- Make sure the left and right seat-back protectors do not contact each other.

**NOTICE:** Make sure to mark and drill the snap locations one at a time in the order shown. Otherwise, the seat-back protector may not line up properly with the seat back.



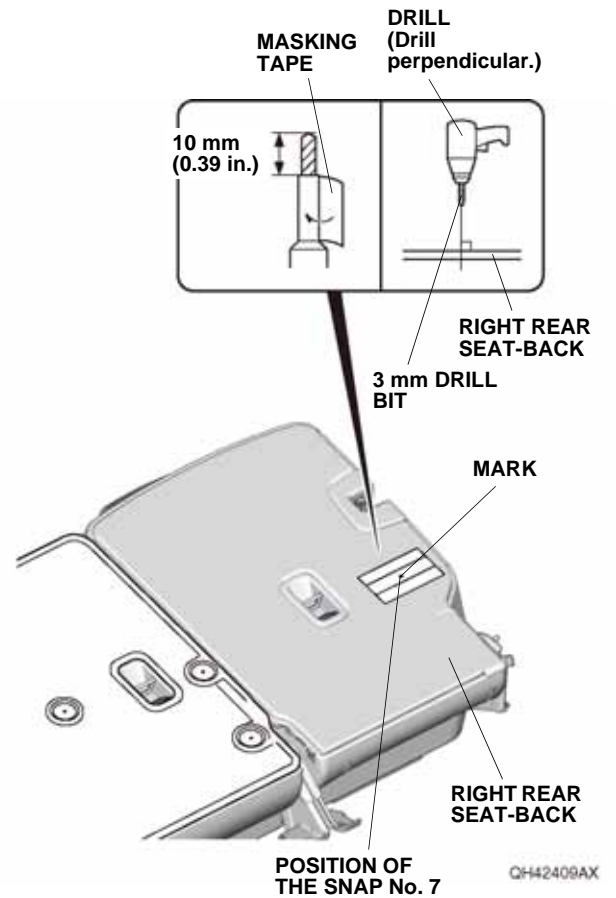
18. Remove the right rear seat-back protector.



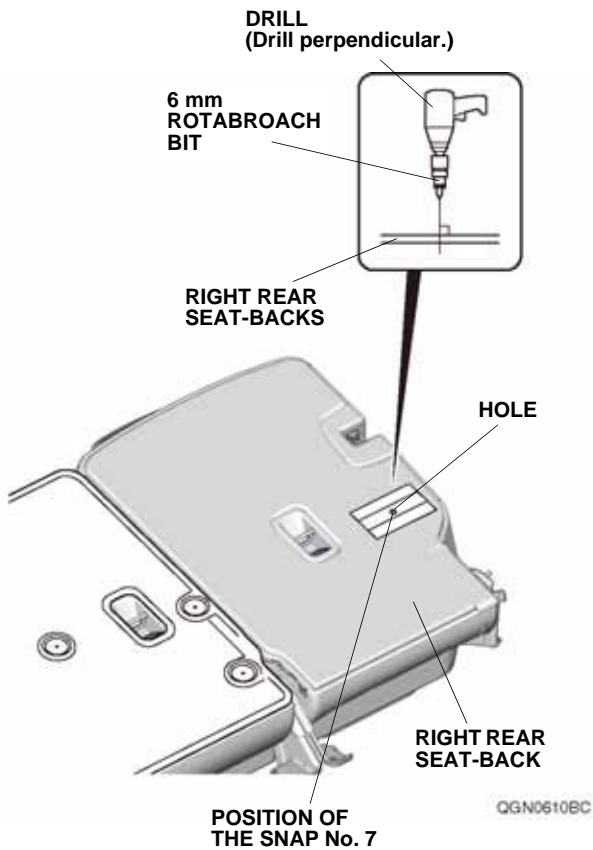
19. While wearing eye protection, drill the pierced mark in step 17 to 3 mm. Drill with a 3 mm drill bit.

NOTE:

- Wrap masking tape around a 3 mm drill bit, 10 mm (0.39 in.) away from the tip, or use a drill stop.
- Make sure to drill perpendicular to the right rear seat-back.

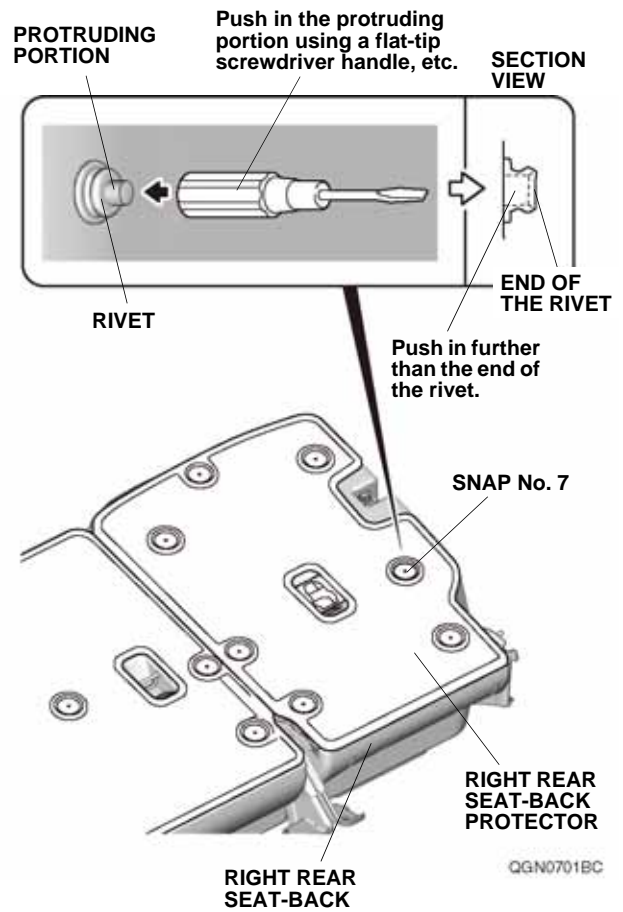


20. While wearing eye protection, enlarge the drilled hole in step 19 to 6 mm. Drill with a 6 mm Rotabroach bit.  
NOTE: Make sure to drill perpendicular to the right rear seat-back.



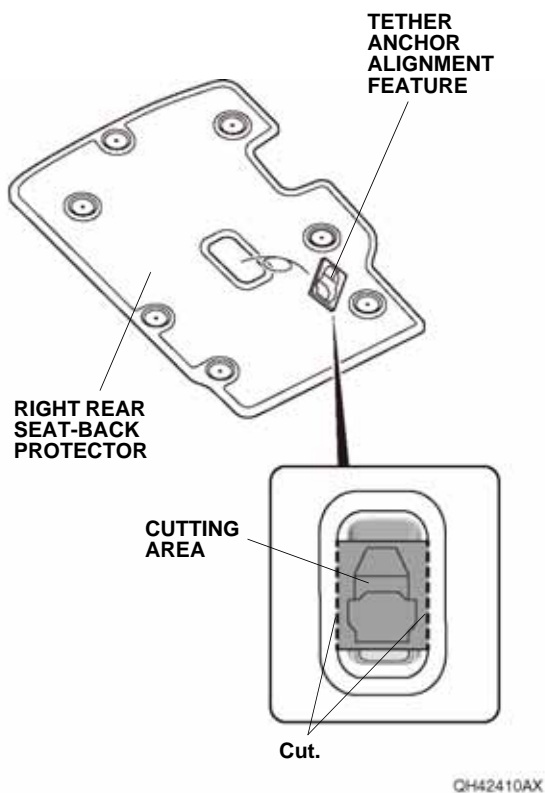
21. Remove the masking tape from snap No. 7 and the masking tape on the seat-back in that location. Remove any burrs.

22. Install the rivet for snap No. 7 to the right rear seat-back as shown.

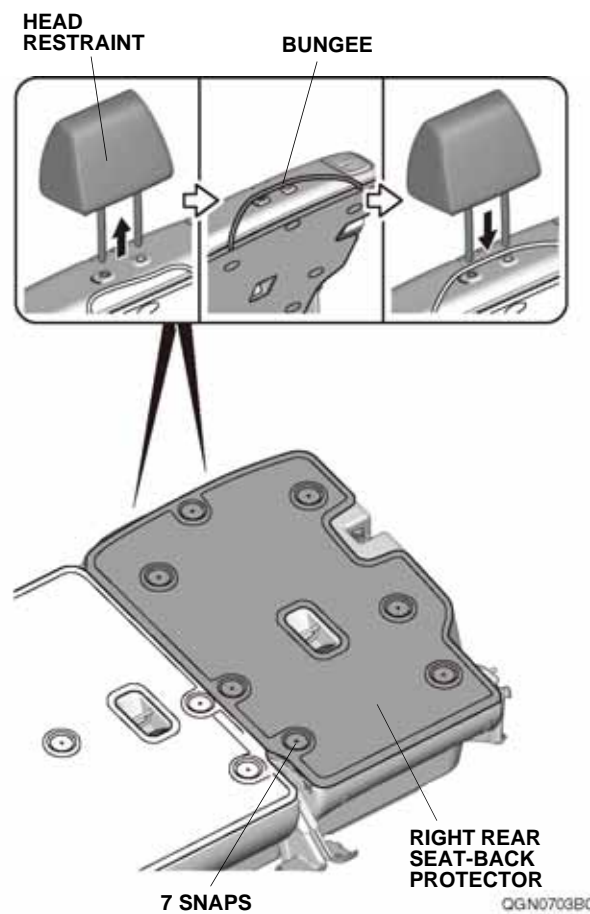


23. Attach the right rear seat-back protector to the right rear seat-back with snap No. 7. Then, repeat steps 16 through 22 in order for the remaining six snaps.

24. Using a utility knife, cut the tether anchor alignment feature on the right seat-back protector.

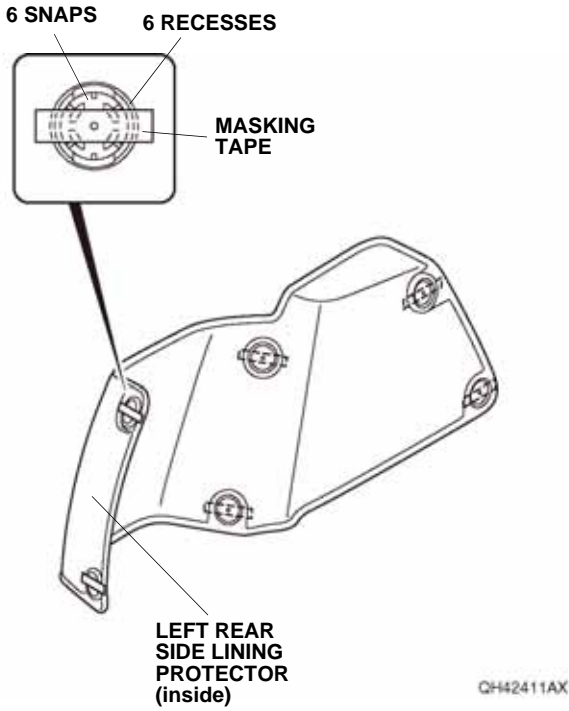


25. Secure the right rear seat-back protector on the left rear seat-back with seven snaps.

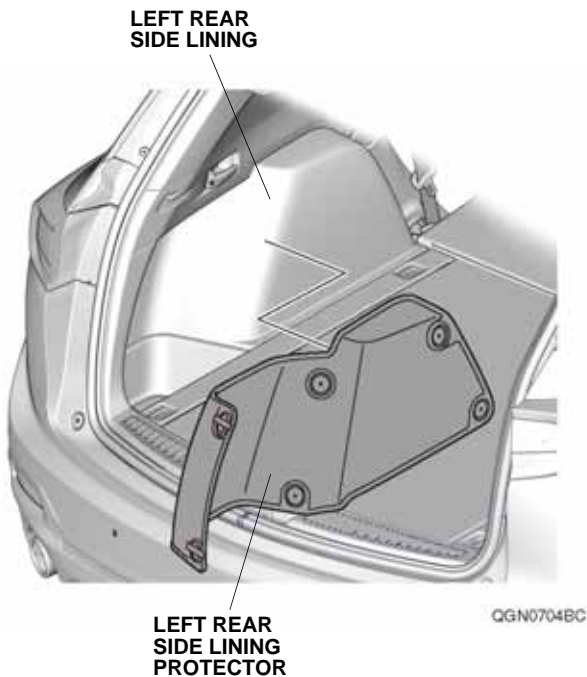


26. Remove the right rear seat head restraint, and attach the bungee. Install the head restraint.

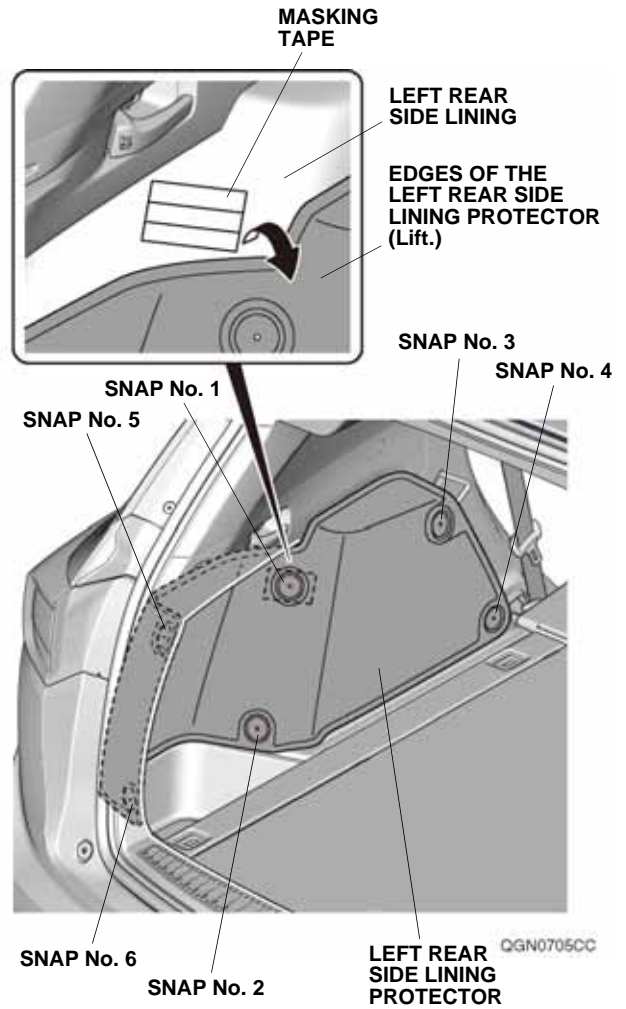
27. Center the snaps with the recesses in the left and right rear side lining protectors. Apply masking tape to the back surfaces to keep them in place during installation.  
NOTE: Follow the same procedure for the differently shaped right rear side lining protector.



28. Line up the left rear side lining protector with the contour of the left rear side lining.

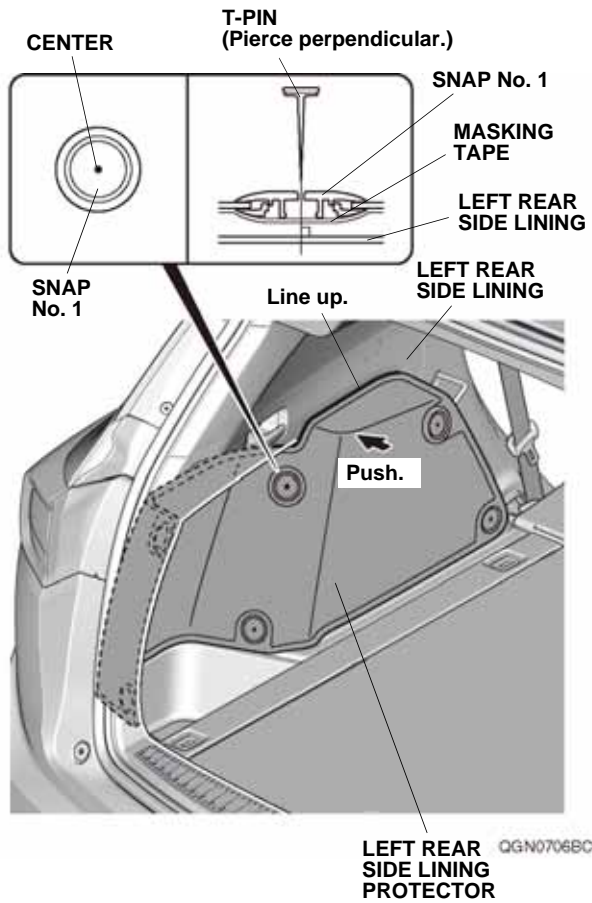


29. Lift the edge of the left rear side lining protector as shown. Apply masking tape to the left rear side lining where the snap No.1 will be located.



30. Using a T-pin, pierce the left rear side lining through the hole in snap No. 1 as shown.  
 NOTE: Make sure you pierce perpendicular to the left rear lining.

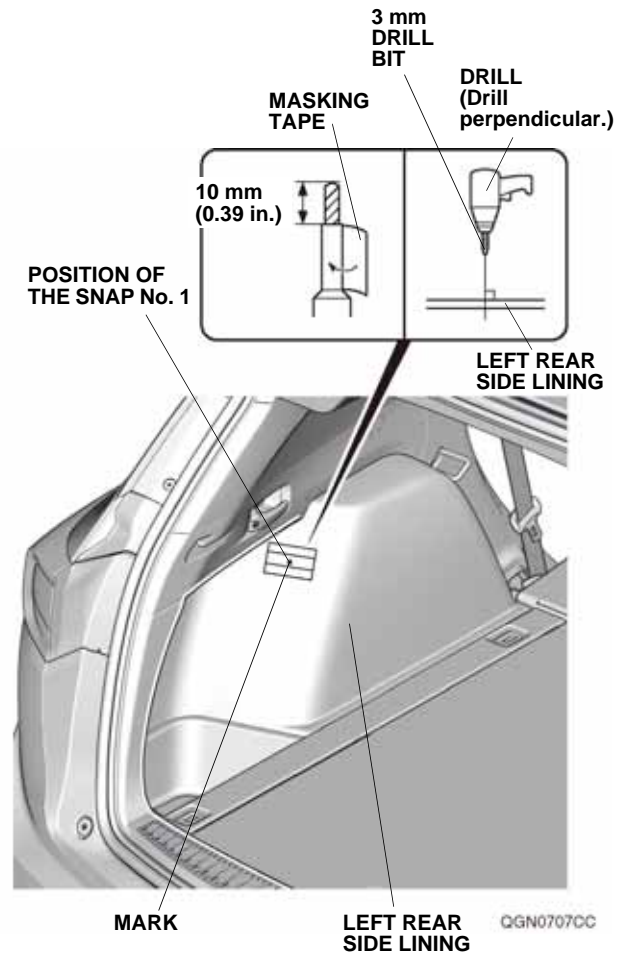
**NOTICE:** Make sure to mark and drill the snap locations one at a time in the order shown. Otherwise the rear side linings may not line up properly.



31. Remove the left rear side lining protector.

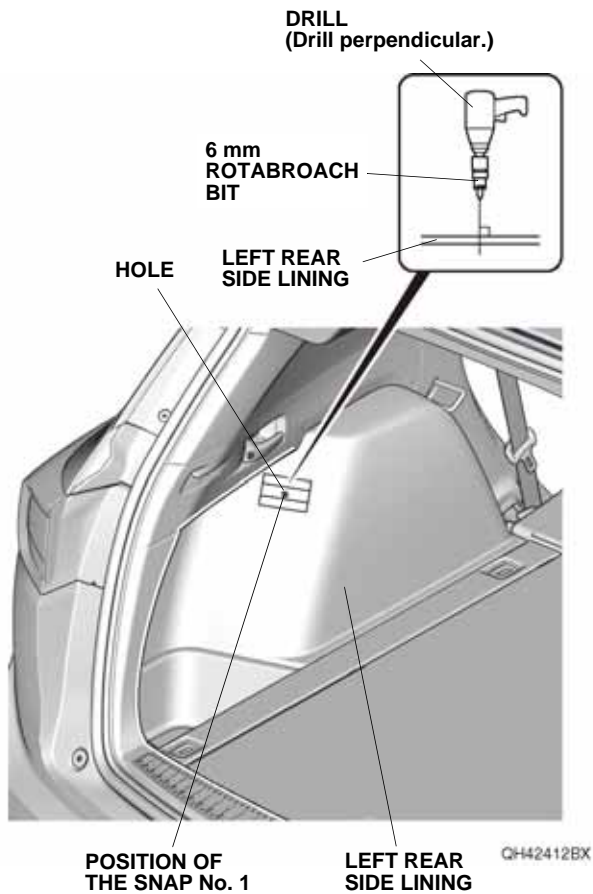
32. While wearing eye protection, drill the pierced mark in step 30 to 3 mm. Drill with a 3 mm drill bit.  
 NOTE:

- Wrap tape around a 3 mm drill bit, 10 mm (0.39 in.) away from the tip, or use a drill stop.
- Make sure to drill perpendicular to the left rear side lining.



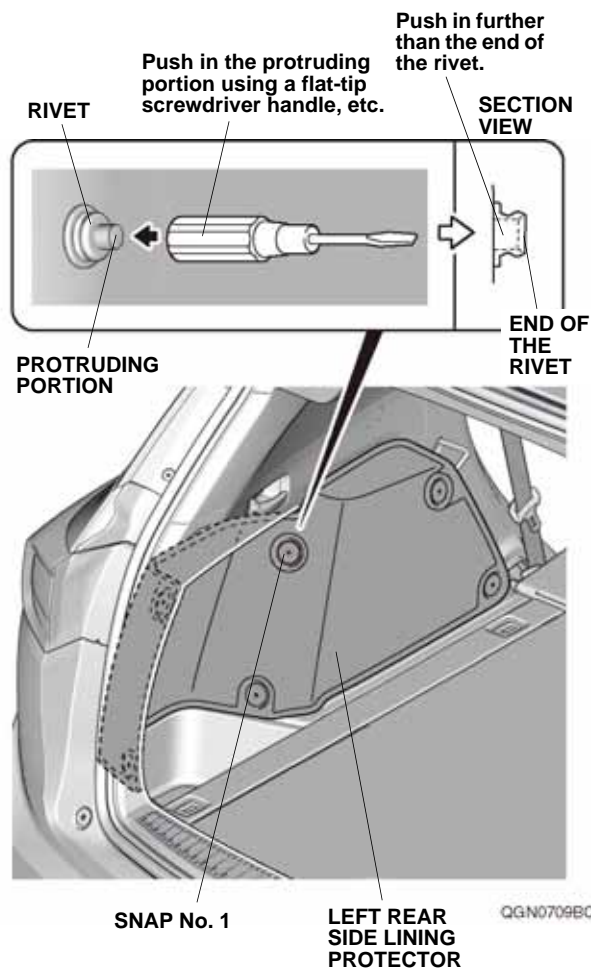


33. While wearing eye protection, enlarge the drilled hole in step 32 to 6 mm. Drill with a 6 mm Rotabroach bit.
- NOTE:
- Make sure to drill perpendicular to the left rear side lining.



34. Remove the masking tape from snap No. 1, and the masking tape on the left rear side lining in that location. Remove any burrs.

35. Install the rivet for snap No. 1 to the left rear side lining as shown.



36. Attach the left rear side lining protector to the left rear side lining with snap No. 1. Then, repeat steps 29 through 36 in order for the remaining five snaps.
37. Secure the left rear side lining protector on the left rear side lining with six snaps.
38. Repeat steps 28 through 37 on the right side of the vehicle.