

Accessory	Application	Publications No.
HEATED STEERING WHEEL	2020 RDX	VERSION 1
		Issue Date APR 2019

## PARTS LIST

Heated Steering Wheel Kit  
P/N 08U97-TJB-200  
P/N 08U97-TJB-200A

Steering wheel



Control unit



HSW switch



Cable reel



Cable reel cord



2 TORX screws



Steering wheel bolt



Information



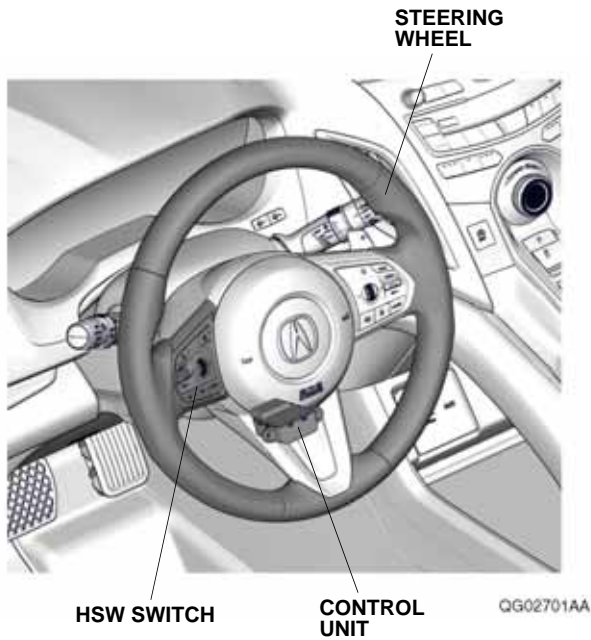
## TOOLS AND SUPPLIES REQUIRED

- Phillips screwdriver
- 10 mm Open end wrench
- 10 mm Hex bit
- Punch (diameter of 5.5 mm)
- Ratchet
- T-20 TORX bit
- Torque wrench
- Steering wheel puller
- i-HDS
- Masking tape

*The following tools are available through the Acura Tool and Equipment Program. On the iN, click on Service > Service Bay > Tool and Equipment Program, then enter the number under "Search." Or, call 888-424-6857.*

- Trim Tool Set (T/N SOJATP2014)
- Plastic Trim Tool (T/N SILTRIMTL10)

**Illustration of the Heated Steering Wheel in the Vehicle**



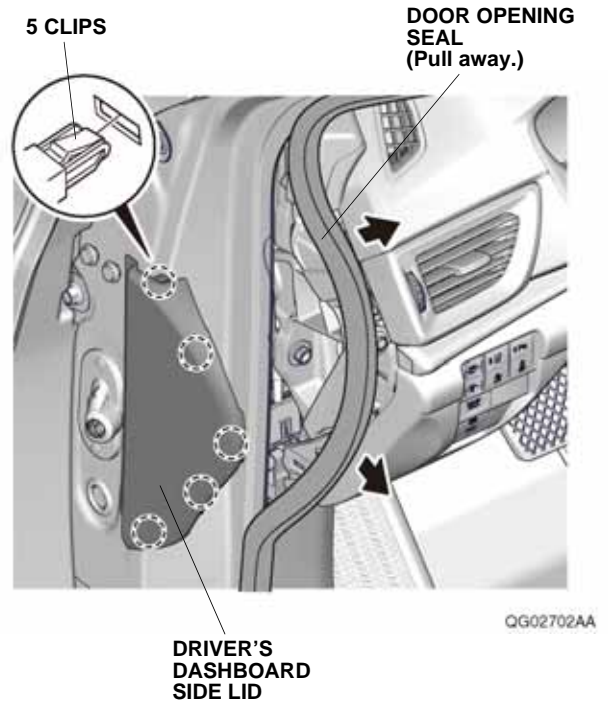
**INSTALLATION**

**Client Information:** The information in this installation instruction is intended for use only by skilled technicians who have the proper tools, equipment, and training to correctly and safely add equipment to your vehicle. These procedures should not be attempted by “do-it-yourselfers.”

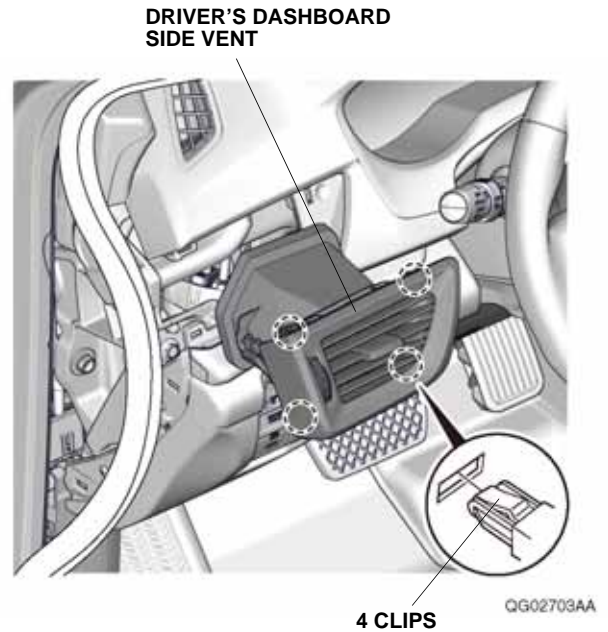
**NOTE:**

- Observe all safety notes and precautions in the service information in addition to those in this installation instruction.
  - Be careful not to damage the vehicle.
  - After installing the steering wheel, you must line up the steering wheel spoke angle to the straight-ahead position by adjusting the front toe.
1. Turn the steering wheel so the front wheels are in the straight-ahead position.
  2. Disconnect the negative cable from the battery, and wait at least 3 minutes before you start to install the steering wheel.

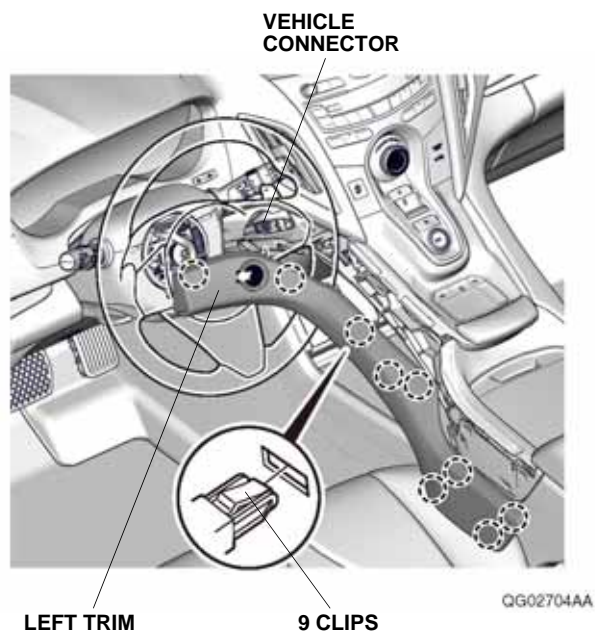
3. Pull away the door opening seal, and remove the driver's dashboard side lid.



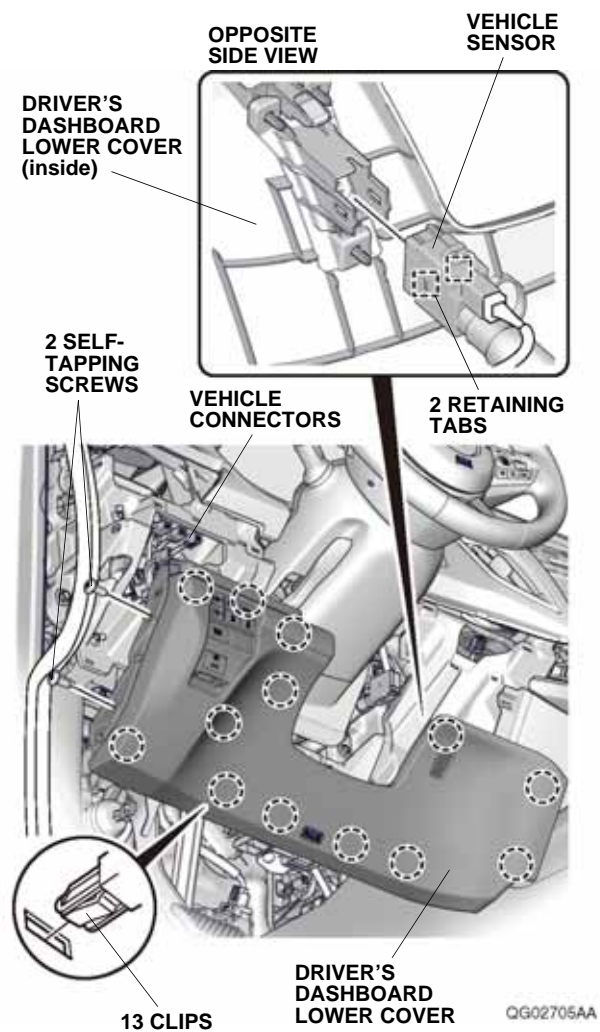
4. Remove the driver's dashboard side vent.



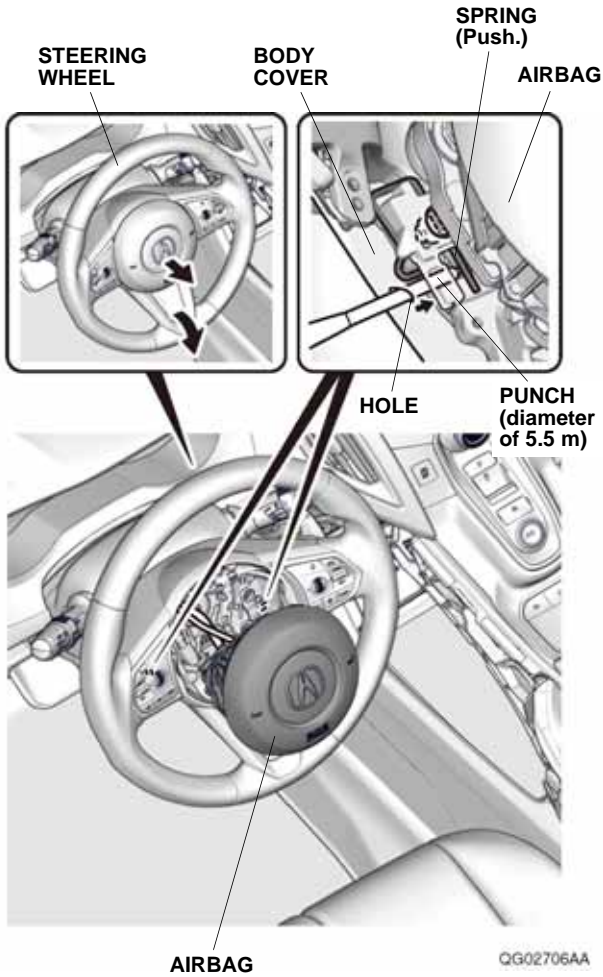
- Remove the left trim, and unplug the vehicle connector.



- Remove the driver's dashboard lower cover, and unplug the vehicle connectors and vehicle sensor.

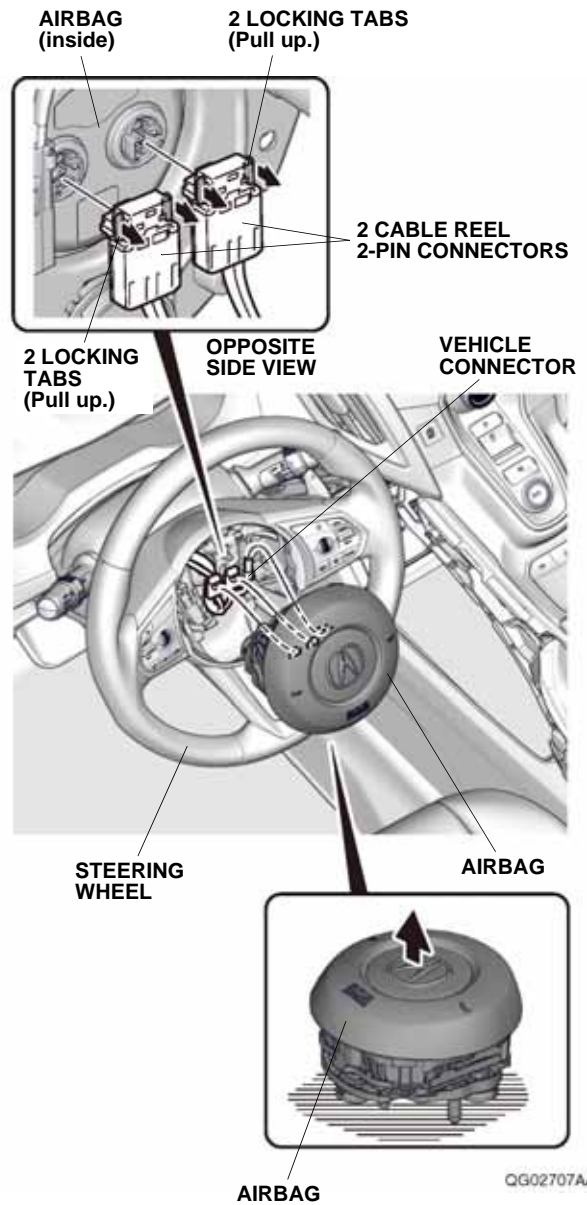


7. Lower and pull out the steering wheel as shown.



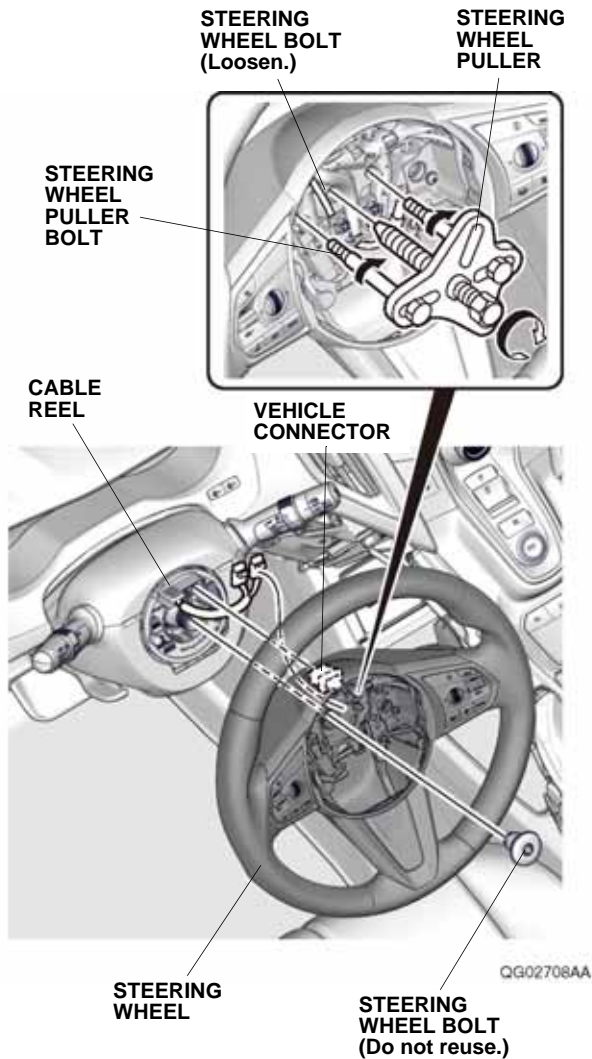
8. Insert a punch (diameter of 5.5 mm) through the left hole of the body cover, and push the spring to release the airbag. Repeat for the other side.

9. Unplug the two cable reel 2-pin connectors by squeezing and pulling up on the locking tabs. Unplug the vehicle connector.  
NOTE: Be careful not to damage the vehicle connectors.



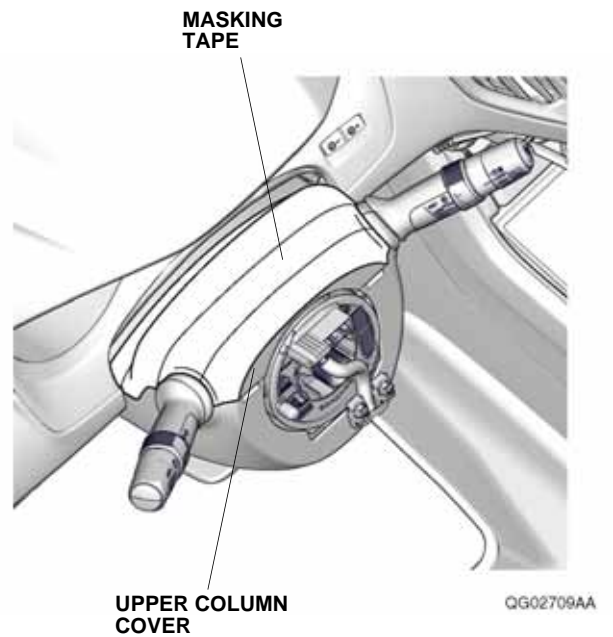
10. Remove the airbag.  
NOTE:
- Do not drop the removed airbag or hit it on an object.
  - Place the removed airbag on a safe place with the pad surface (top) facing upward.

- With the front wheels lined up in the straight-ahead position, unplug the vehicle connector from the cable reel, and loosen the steering wheel bolt.

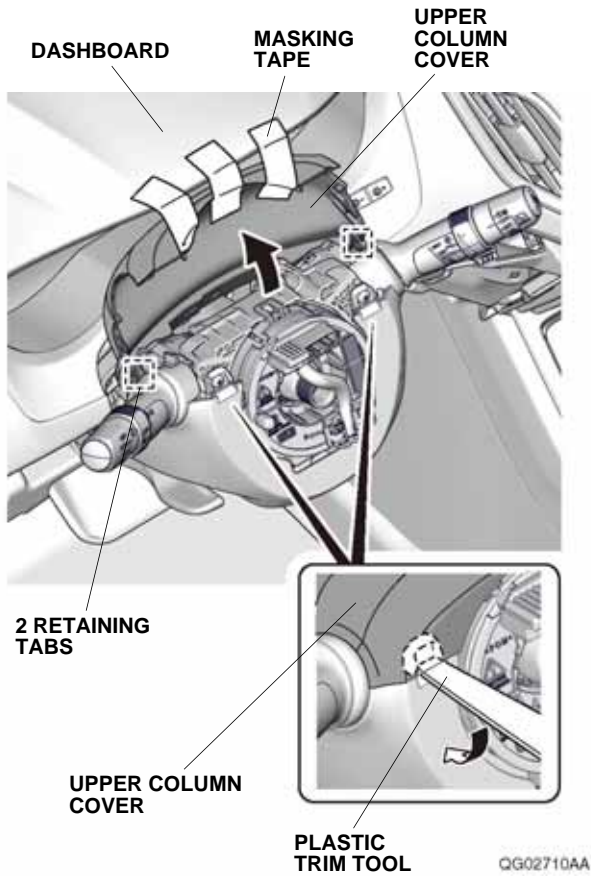


- Using a steering wheel puller, release the steering wheel.  
NOTE: Do not thread the steering wheel puller bolts in more than 5 mm (0.20 in.).
- Remove the steering wheel bolt, then remove the steering wheel.  
NOTE: When removing the steering wheel, do not turn it.

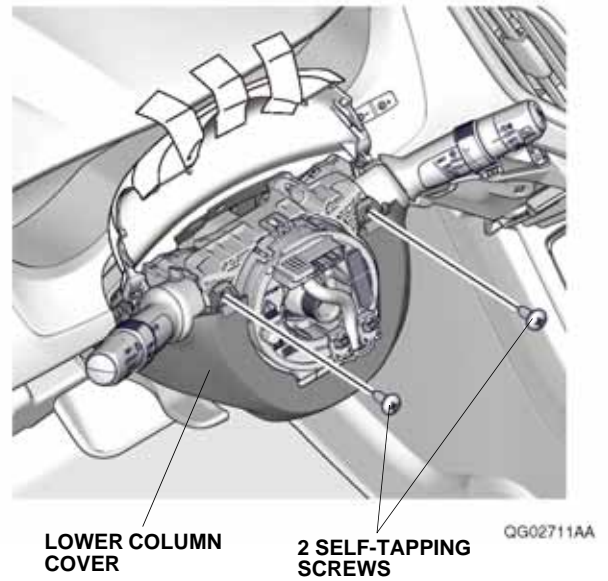
- Apply masking tape to the upper column cover as shown.



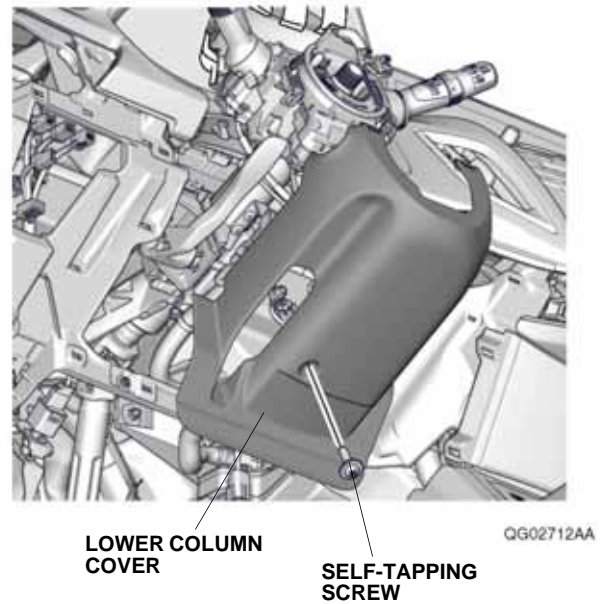
15. Using a plastic trim tool, release the upper column cover and secure it to the dashboard with masking tape.



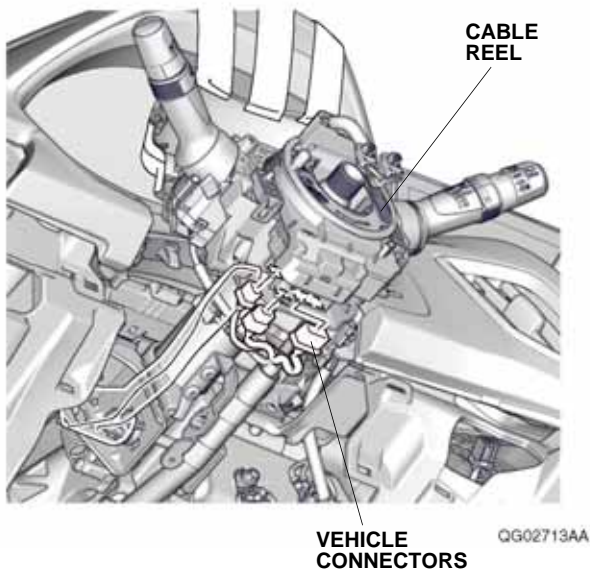
16. Remove the two self-tapping screws from the lower column cover.



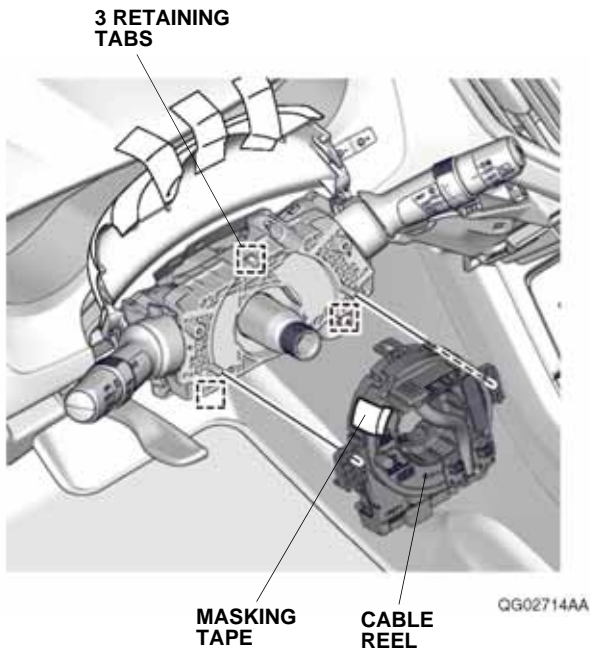
17. Remove the lower column cover.



18. Unplug the vehicle connectors from the cable reel.

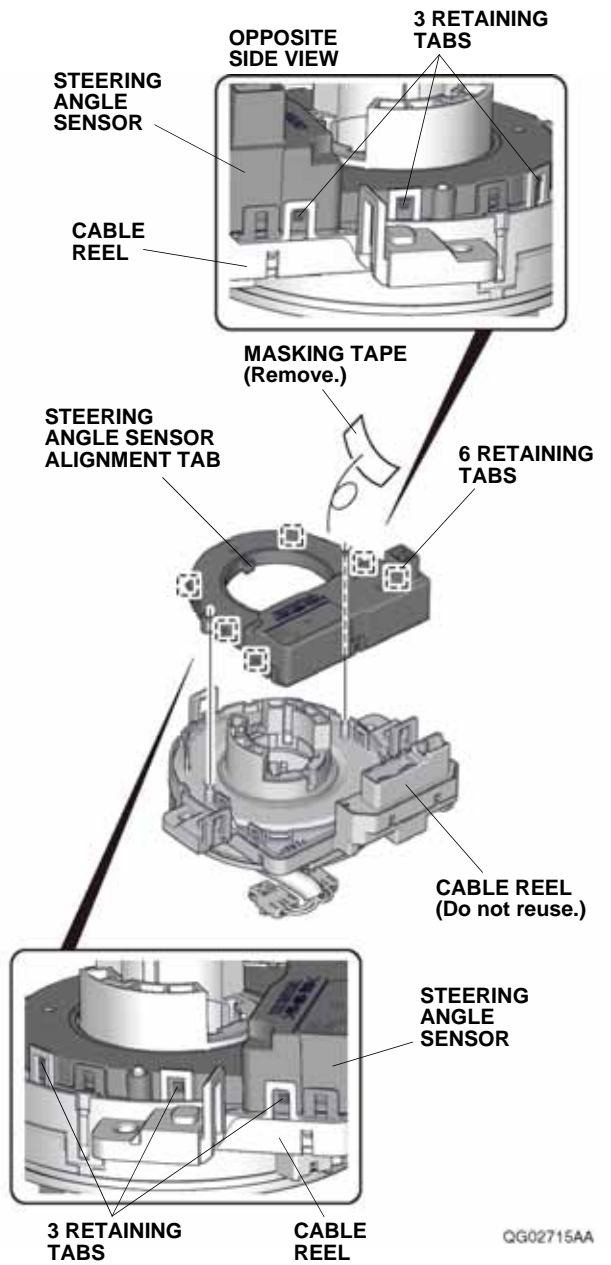


19. To prevent turning from the cable reel, apply masking tape to it. Remove the cable reel.

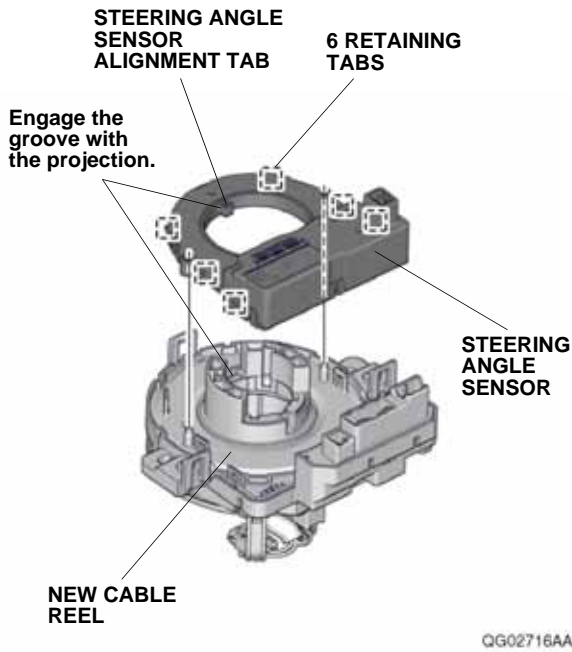


20. Remove the masking tape. Remove the steering angle sensor.

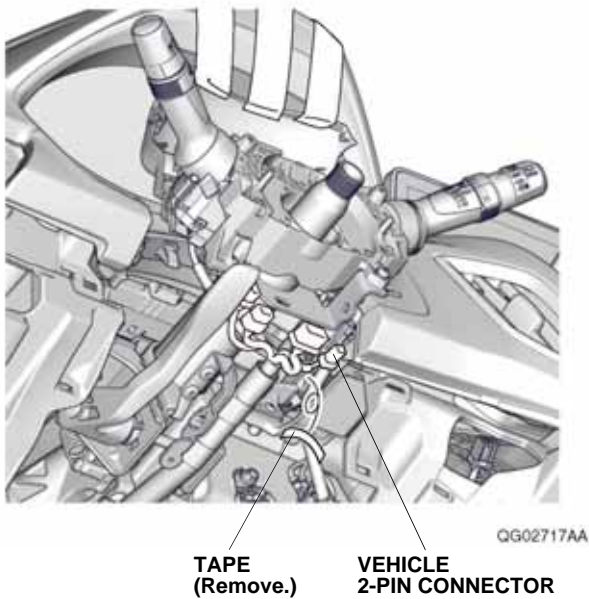
NOTE: Make sure the steering angle sensor alignment tab is in the 6 o'clock position before disassembling.



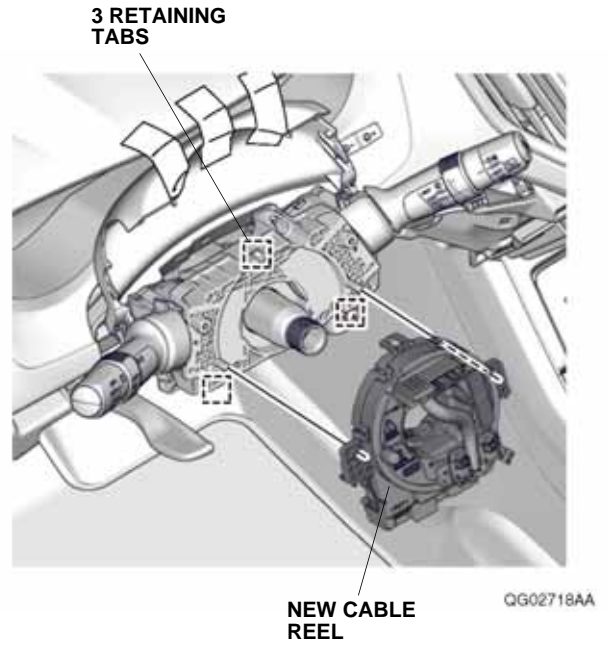
21. Install the steering angle sensor to the new cable reel.  
 NOTE: Make sure the steering angle sensor alignment tab remains in the 6 o'clock position at all times.



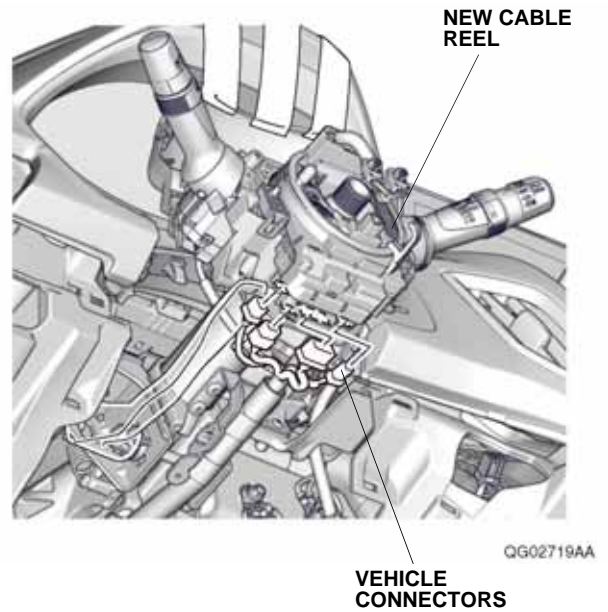
22. Remove the tape to free the vehicle 2-pin connector.



23. Install the new cable reel.

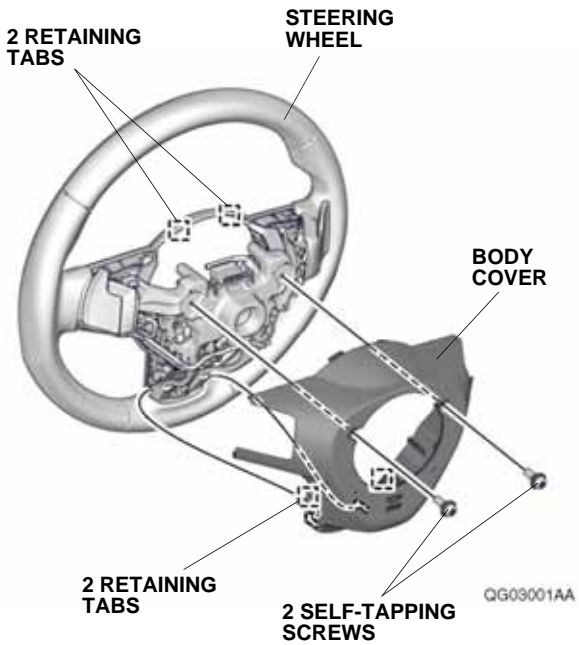


24. Plug the vehicle connectors into the new cable reel.

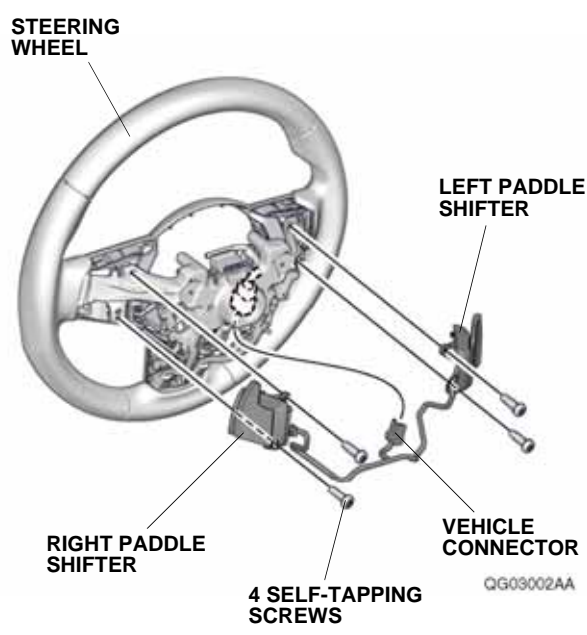




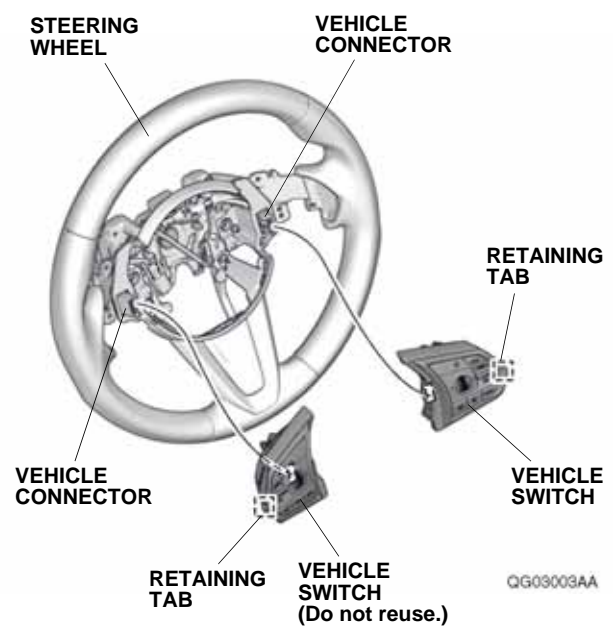
25. Remove the body cover.



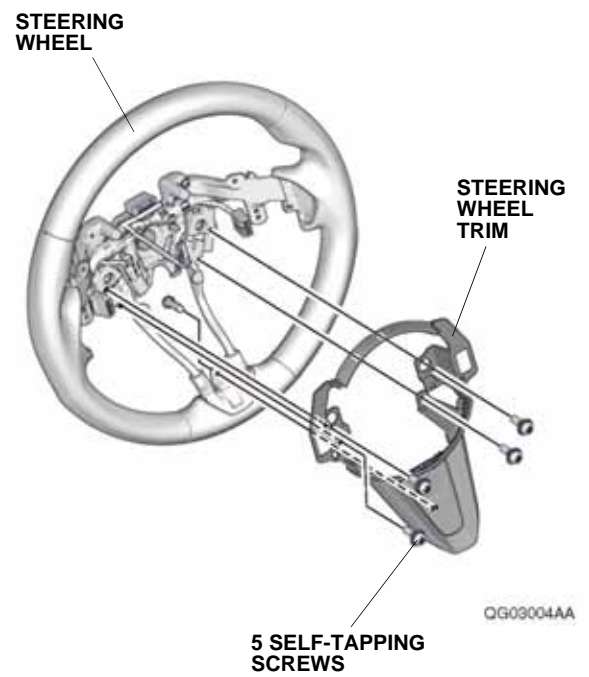
26. Remove the left and right paddle shifters, and unplug the vehicle connector.



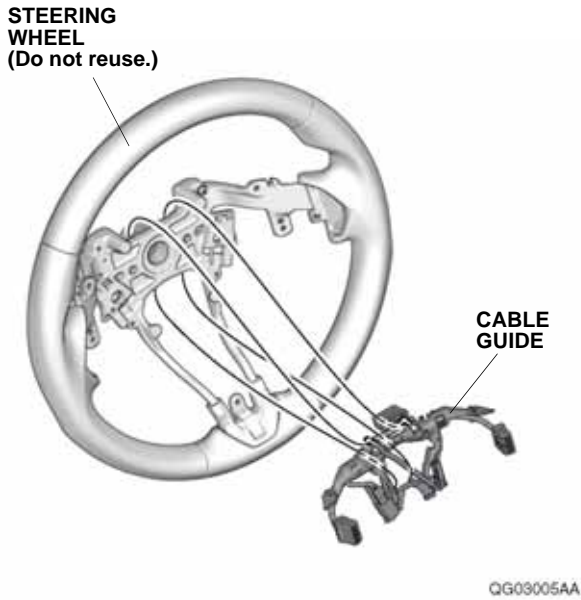
27. Remove the two vehicle switches, and unplug the vehicle connectors.



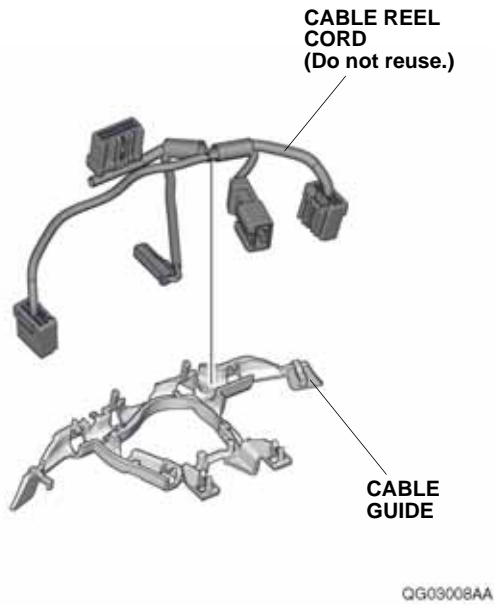
28. Remove the steering wheel trim.



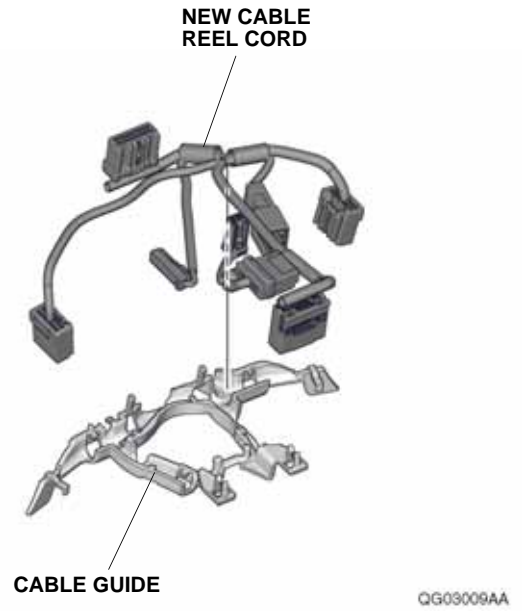
29. Remove the cable guide.



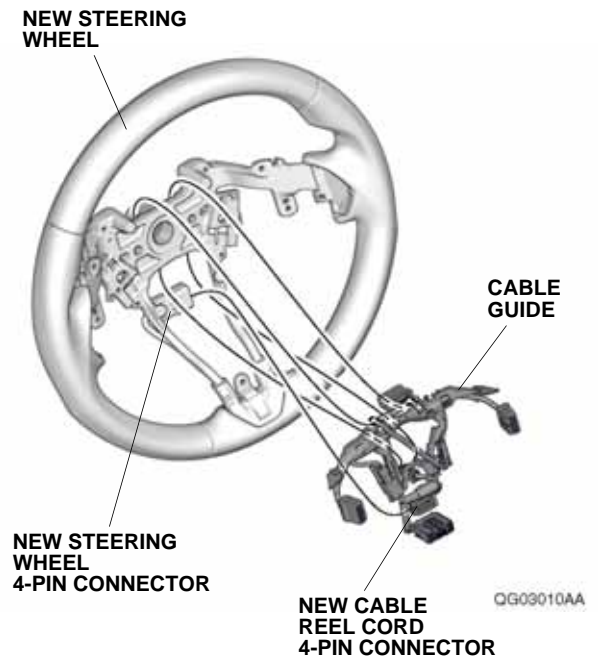
30. Remove the cable reel cord.



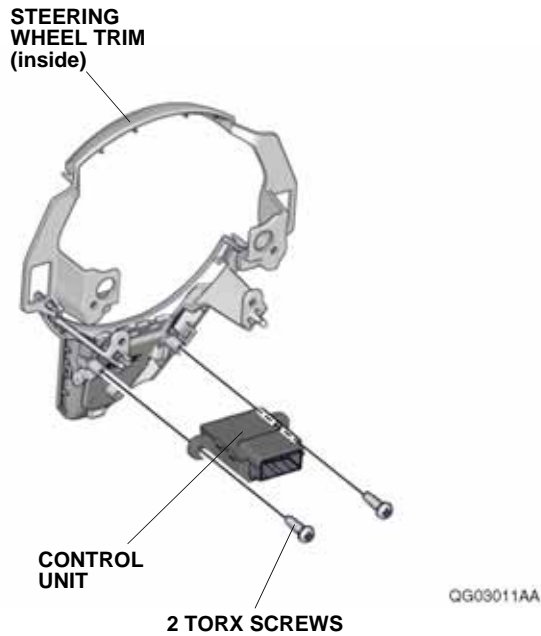
31. Install the new cable reel cord to the cable guide.



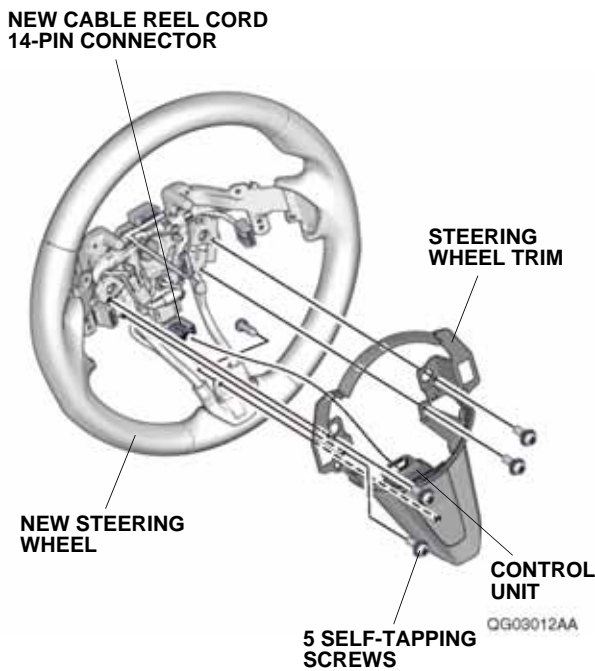
32. Plug the new cable reel cord 4-pin connector into the new steering wheel 4-pin connector, and install the cable guide to the new steering wheel.



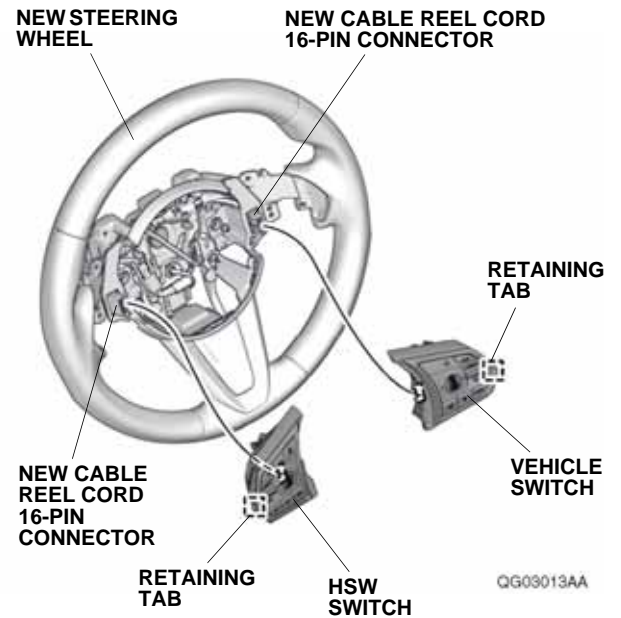
33. Install the control unit to the steering wheel trim with the two TORX screws.



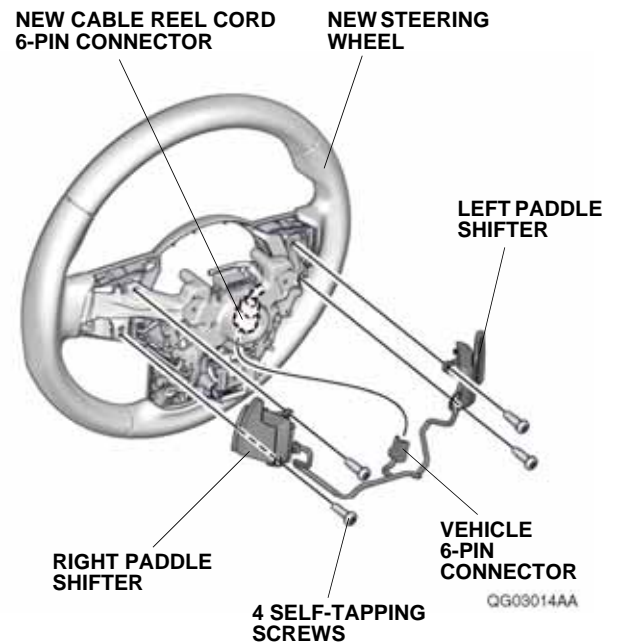
34. Plug the new cable reel cord 14-pin connector into the control unit, and install the steering wheel trim to the new steering wheel with five self-tapping screws removed in step 28.



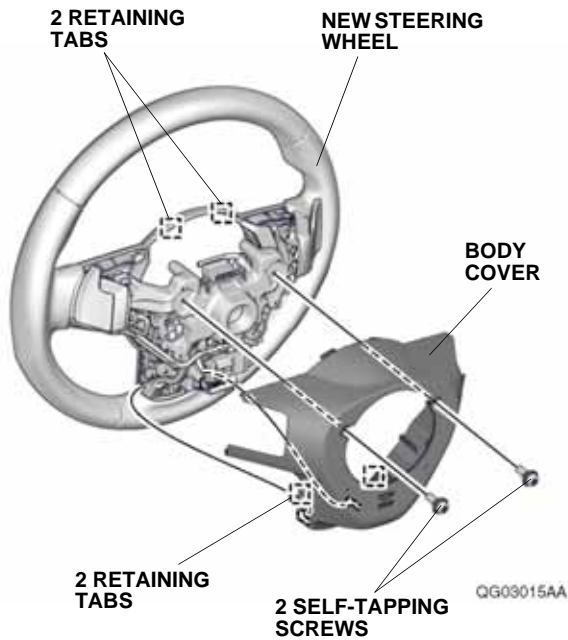
35. Plug the new cable reel cord 16-pin connector into the HSW switch, and install the switch to the new steering wheel. Plug the new cable reel cord 16-pin connector into the vehicle switch, and install the switch to the new steering wheel.



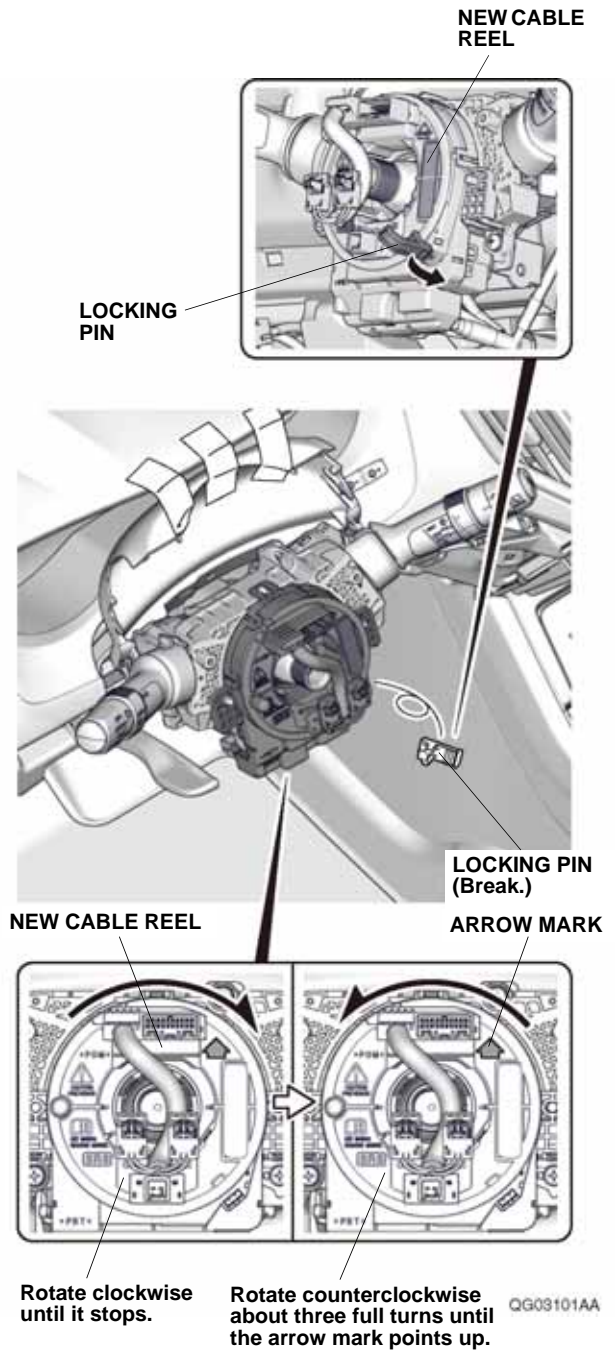
36. Install the left and right paddle shifters with four self-tapping screws removed in step 26, and plug the vehicle 6-pin connector into the new cable reel cord 6-pin connector.



37. Install the body cover to the new steering wheel with two self-tapping screws removed in step 25.

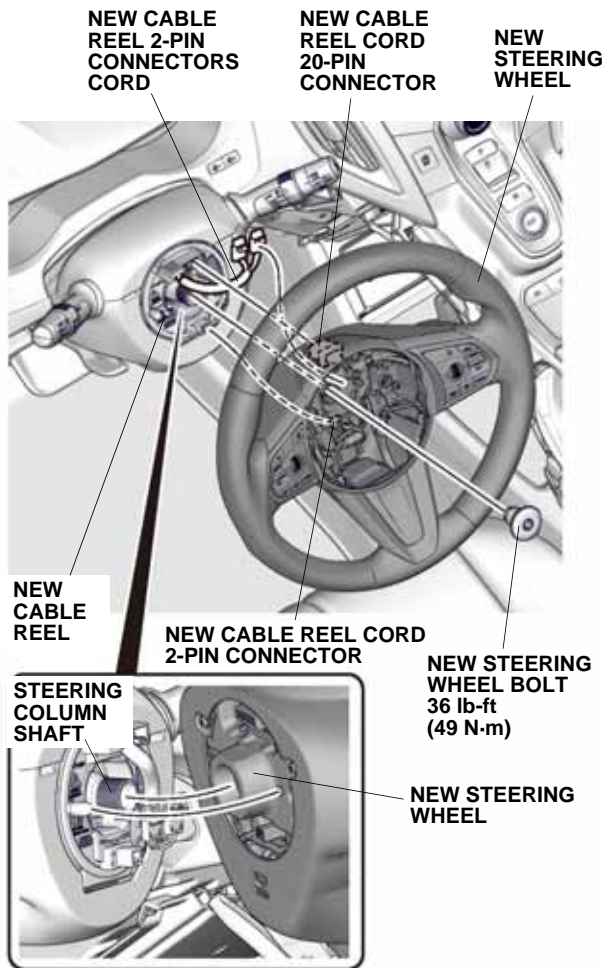


38. Break off the lock pin by pushing on it as shown.



39. Before installing the new steering wheel, make sure the front wheels are still pointing straight-ahead. To confirm the new cable reel is line up properly, rotate the new cable reel clockwise until it stops, then rotate it counterclockwise about three full turns. The arrow mark on the new cable reel label must point straight up.
40. Install the lower column cover and upper column cover.

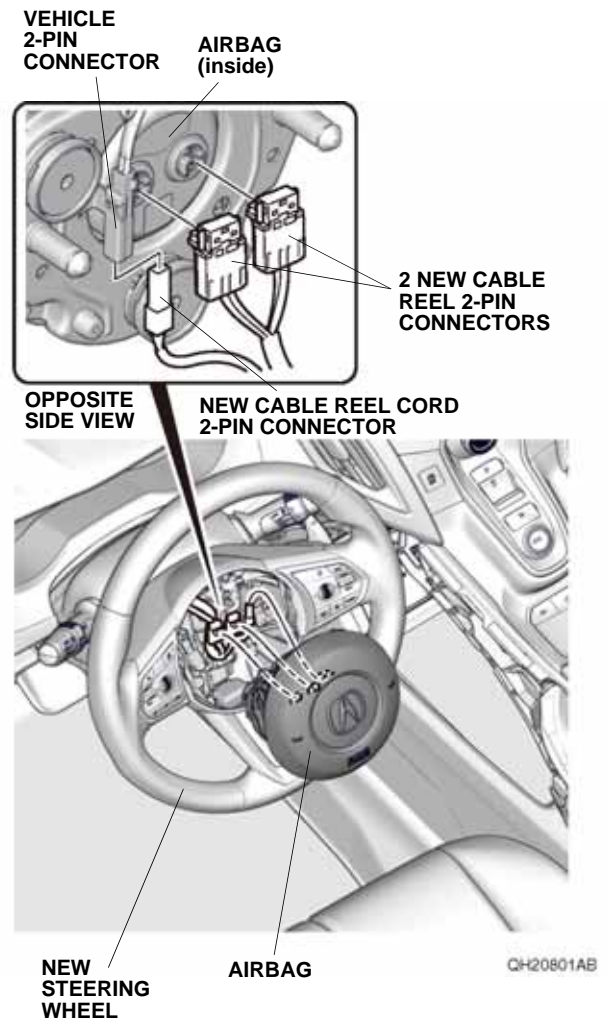
41. Install the new steering wheel to the steering column shaft in the straight-ahead position:
- Route the new cable reel 2-pin connectors cord through the opening in the new steering wheel.
  - Plug the new cable reel cord 2-pin and 20-pin connectors into the new cable reel.
  - Check that the wire harnesses are not pinched.



QG03102AA

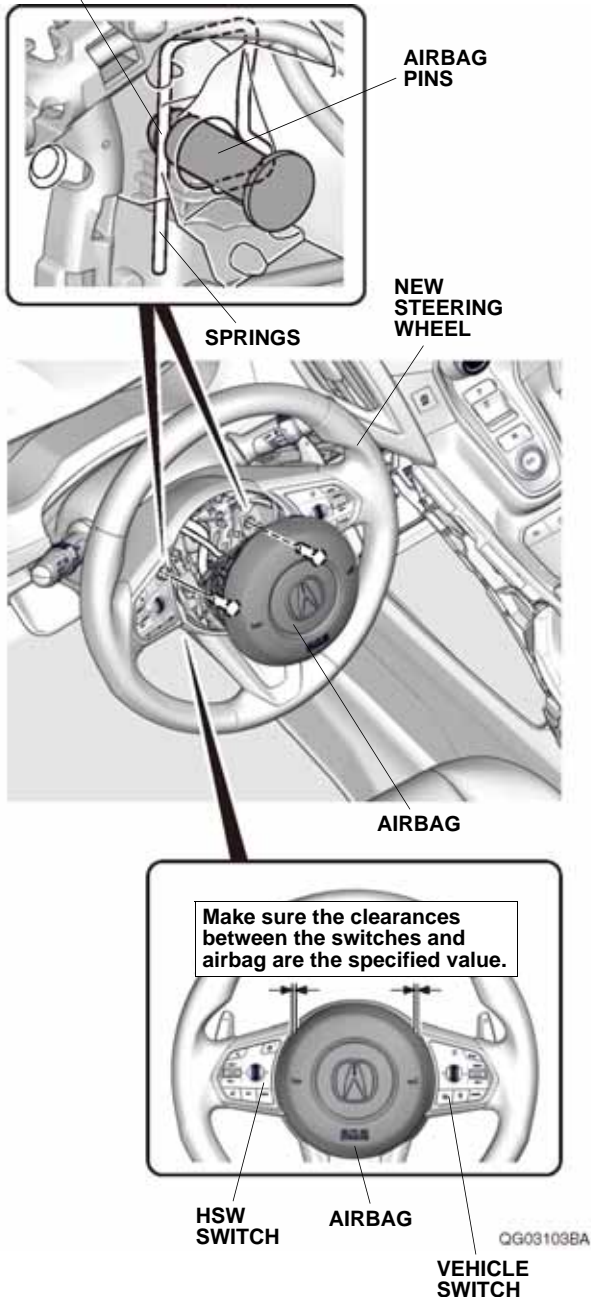
42. Install the new steering wheel bolt. Torque it to 36 lb-ft (49 N·m).  
NOTE: Tighten at the specified torque within 5 minutes.

43. Plug the new cable reel cord 2-pin connector and two new cable reel 2-pin connectors into the airbag.  
NOTE: The airbag connector has a yellow harness cover.



44. Install the airbag to the new steering wheel.  
NOTE: Install the airbag by pushing it in until you hear a click.

Confirm that the airbag pins are securely mounted to the springs.



45. Check that all wire harnesses are routed properly and all connectors are plugged in.
46. Install all removed parts.
47. Connect the negative cable to the battery.
48. Connect the i-HDS, and clear the DTCs.
49. Inspect the following items. If you find any abnormality, troubleshoot as described in the service information.
- Turn the ignition to ON. The SRS indicator should come on for about 6 seconds and then go off.
  - Make sure the horn and steering wheel switches work properly.
50. Press and hold the audio unit power button for 2 seconds to restore the audio and navi (if equipped) system functions.
51. Set the clock on vehicles without navigation.
52. If necessary, restore the systems back to normal operation as described in the service information.
53. Make sure the new steering wheel is in the straight-ahead position with the front wheels. If the spoke angle of the new steering wheel is not in the straight-ahead position with the front wheels, adjust the front toe as described in the service information.
54. Do the VSA sensor neutral position memorization as described in the service information.

#### Check the Operation of the Heated Steering Wheel

55. Check that the heated steering wheel works as described in the owner's guide and online owner's manual.