



# INSTALLATION INSTRUCTIONS

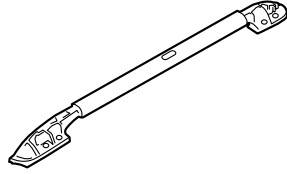
Accessory  
**ROOF RAILS**  
P/N 08L02-TX4-200

Application  
**2018 RDX**

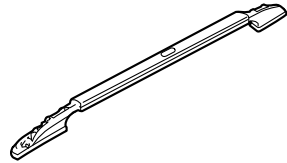
Publications No.  
**VERSION 1**  
Issue Date  
**MAY 2017**

## PARTS LIST

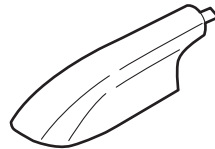
Roof left rail



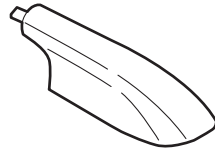
Roof right rail



Roof left rail front cover



Roof right rail front cover



Roof left rail rear cover



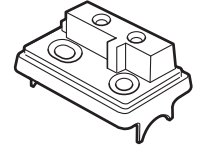
Roof right rail rear cover



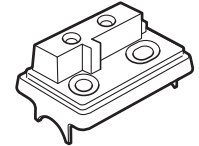
4 Short Torx bolts



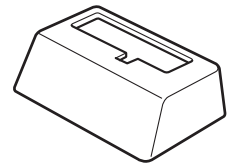
Right center stay



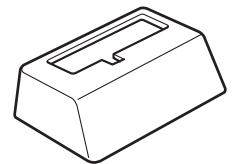
Left center stay



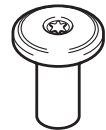
Right center cover



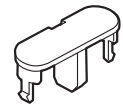
Left center cover



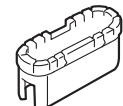
12 Torx nuts



2 Rail caps



2 Spacers A



10 Spacers B



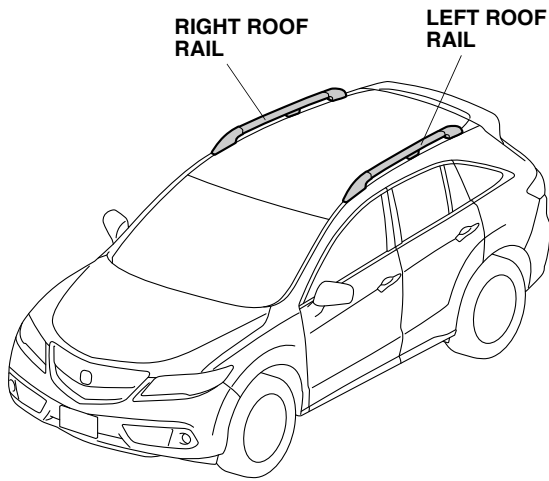
## TOOLS AND SUPPLIES REQUIRED

Flat-tip screwdriver  
T-30 Torx bit  
Tape measure  
Blanket  
File  
Approx. 120 mm height empty cardboard box  
Eye protection (safety goggles, face shield, etc.)  
Torque wrench  
Drill  
3 mm and 6 mm Drill bits  
Ruler  
Felt-tip pen

*The following tools are available through the Acura Tool and Equipment Program. On the iN, click on: Service > Service Bay > Tool and Equipment Program, then enter the number under "Search". Or, call 888-424-6857.*

Air saw (T/N AT192A)  
Plastic Trim Tool (T/N SILTRIMTL10)

### Illustration of the Roof Rails on the Vehicle



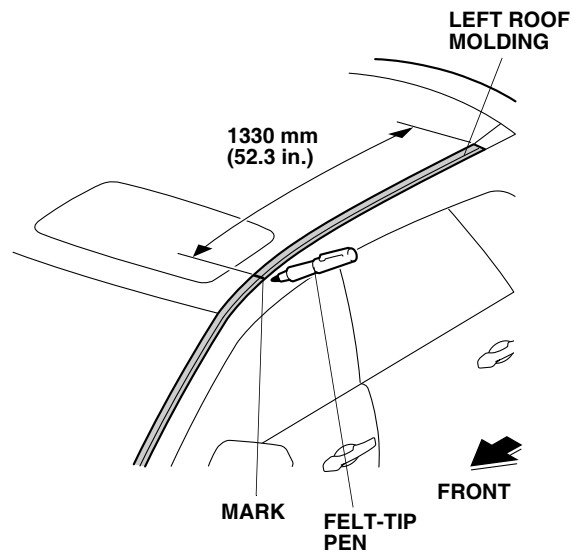
## INSTALLATION

**Client Information:** The information in this installation instruction is intended for use only by skilled technicians who have the proper tools, equipment, and training to correctly and safely add equipment to your vehicle. These procedures should not be attempted by "do-it-yourselfers."

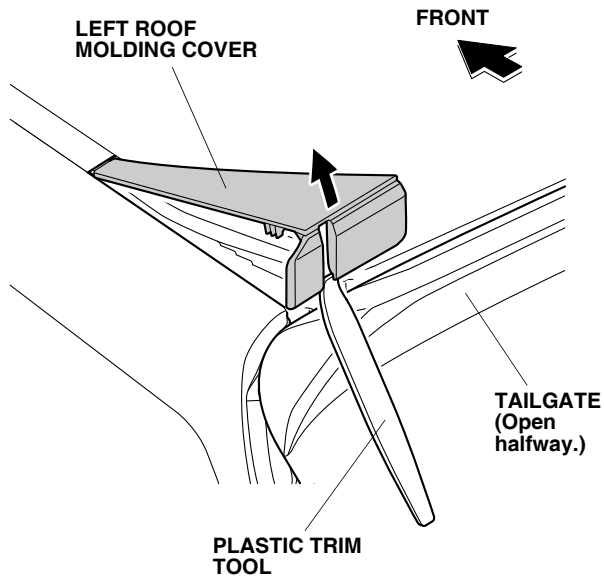
### NOTE:

- Do not damage the roof and other finished surfaces of the body when installing the roof rails.
- Do not interchange the front and rear parts or the right and left parts.

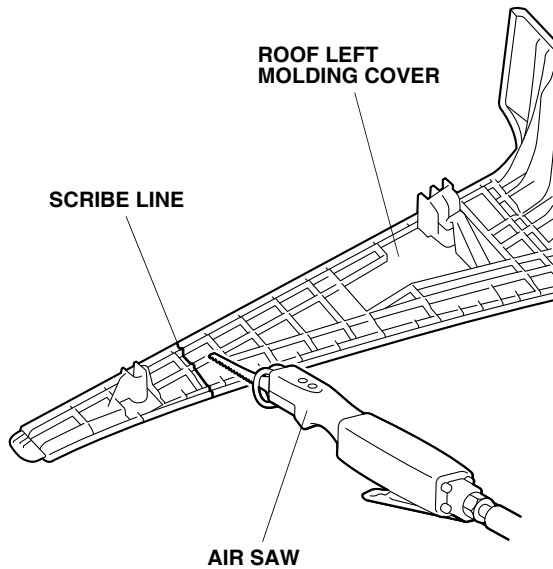
1. Measuring from the rear, mark the roof molding at the measurement shown.



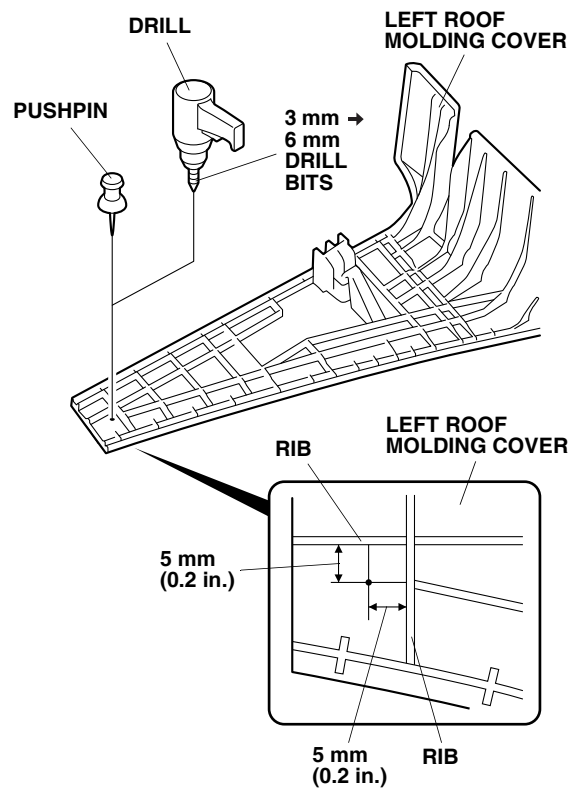
- Open the tailgate halfway. Using a plastic trim tool, pry up the rear edge of the left roof molding cover.



- While wearing eye protection, use an air saw to cut off the left roof molding cover at the scribe line as shown. Remove any burrs.

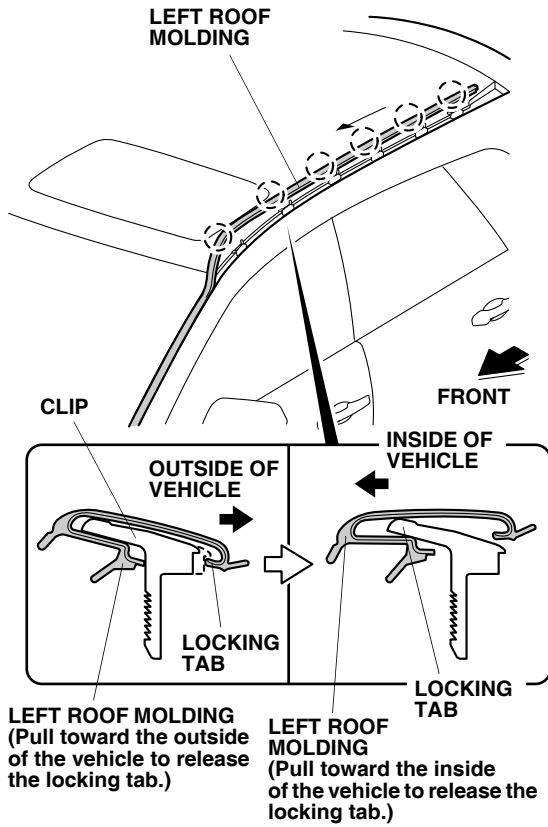


- Using a pushpin, pierce the left roof molding cover at the measurement shown.

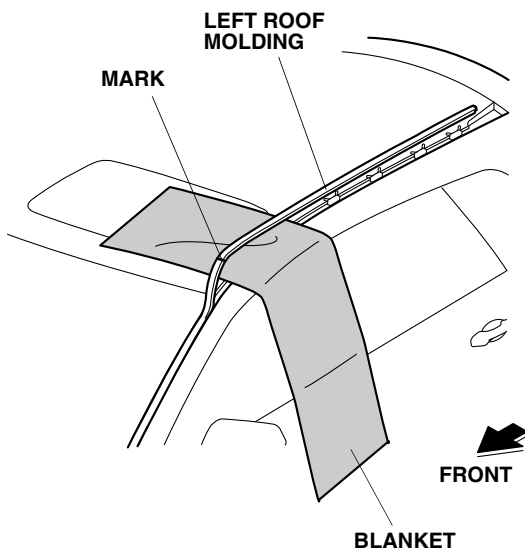


- While wearing eye protection, drill the pierced mark with a 3 mm drill bit. Enlarge the hole with a 6 mm drill bit. Remove any burrs.

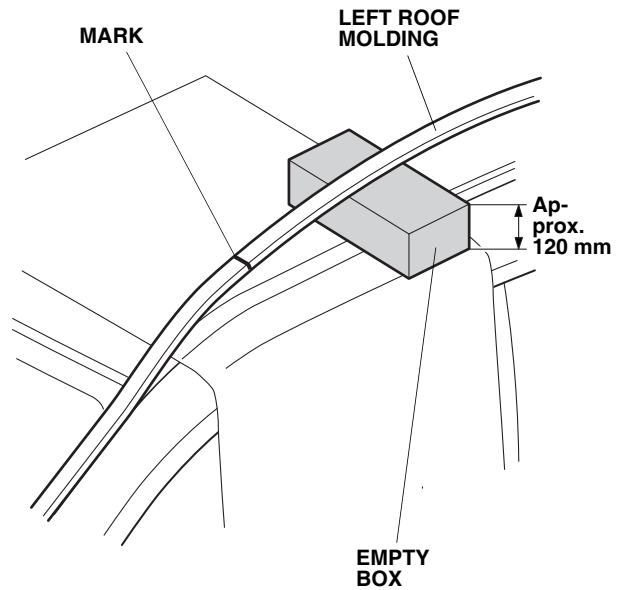
- Pull the left roof molding toward the outside of vehicle to release the locking tab, press the locking tab toward the inside of vehicle, then release the left roofmolding from the vehicle. When removing the left roof molding, start from the rear of the vehicle and work towards the front.



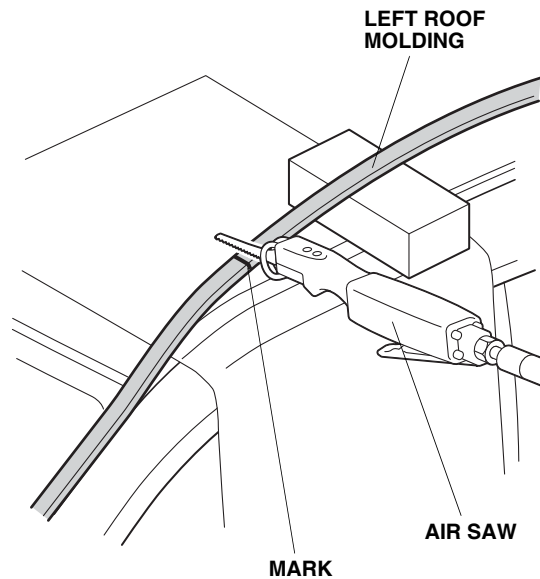
- Place a blanket over the roof of the vehicle under the mark on the roof left molding. Be careful not to deform the roof left molding when measuring and cutting.



- Place an empty cardboard box (approx. 120 mm tall) under the left roof molding near the mark.

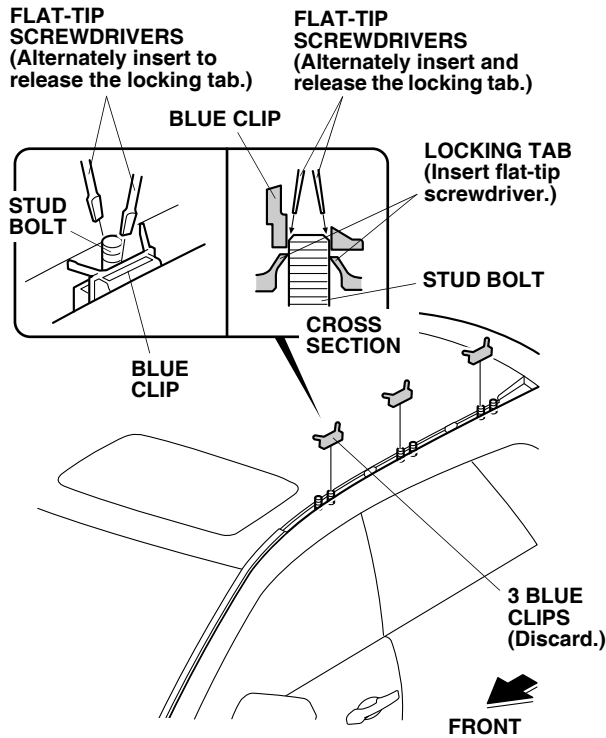


- While wearing eye protection, use an air saw to cut the left roof molding at the mark. Do not use a cutting wheel or shears to cut the molding, it will damage the left roof molding. Have an assistant hold the rear edge while cutting.

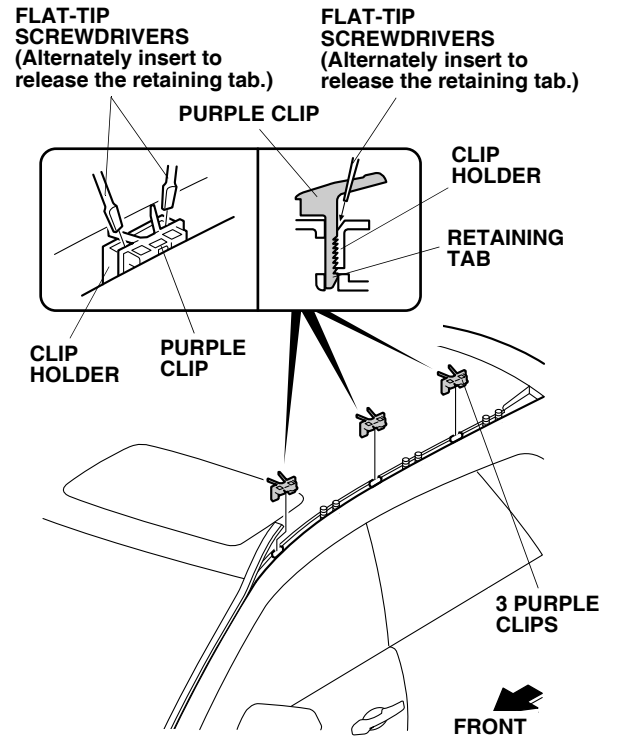


- Remove the empty box and blanket.

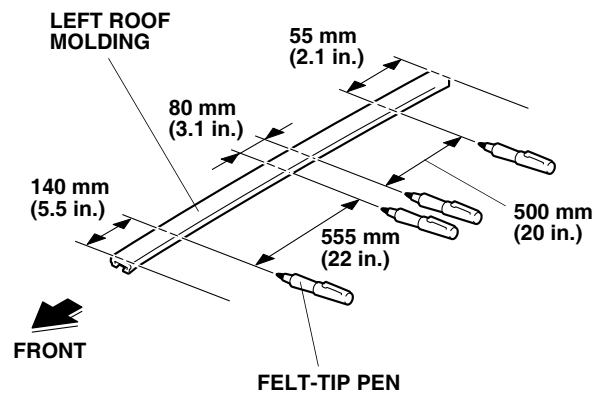
11. Insert two flat-tip screwdrivers alternately between the blue clip and the stud bolt as shown. While pulling on the blue clip, release the locking tab on the blue clip from the groove on the stud bolt notch by notch, and remove the blue clip. Remove the remaining two clips.



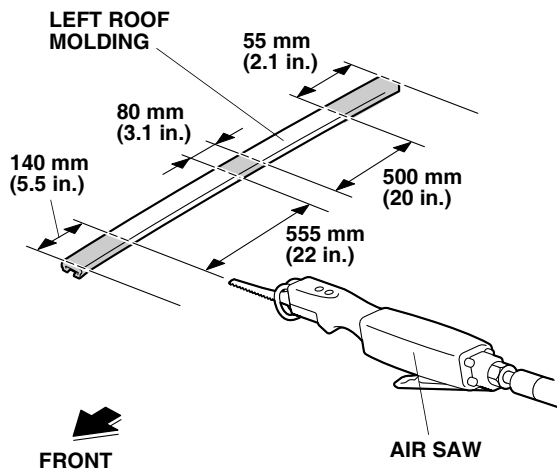
12. Insert two flat-tip screwdrivers alternately between the purple clip and clip holder as shown. While pulling on the purple clip, release the retaining tab on the purple clip from the clip holder, and remove the purple clip. Remove the remaining two clips.



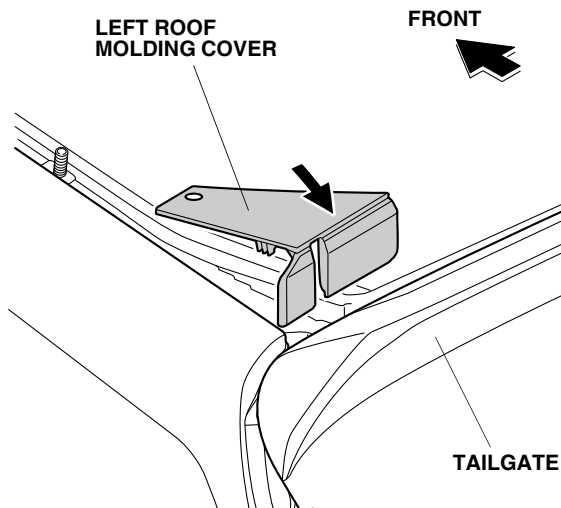
13. Mark the left roof molding at the measurements shown.



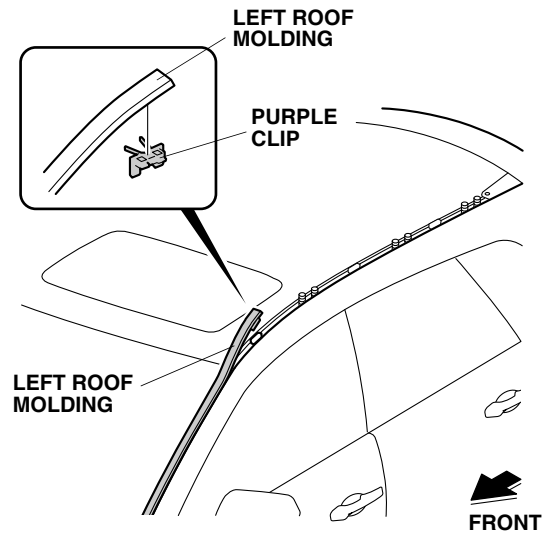
14. While wearing eye protection, use an air saw to cut the left roof molding at the marks made in step 13.



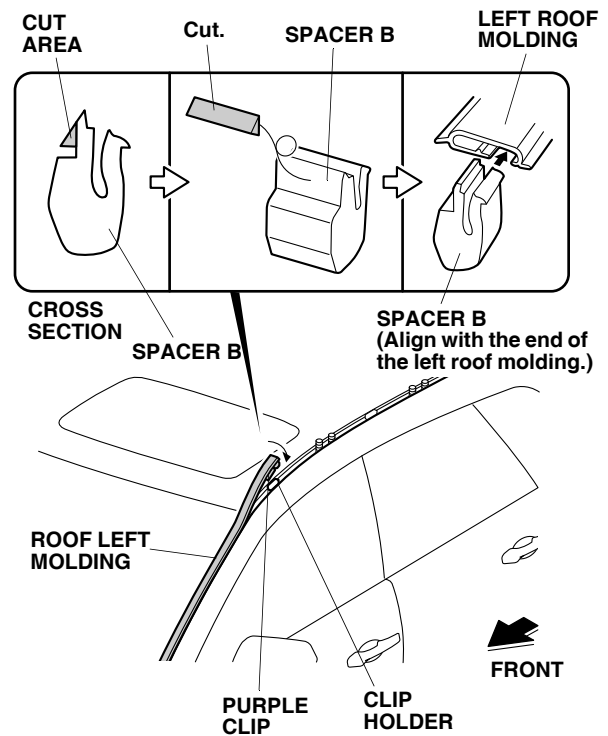
15. Install the left roof molding cover.



16. Install the purple clip removed in step 12 to the left roof molding.



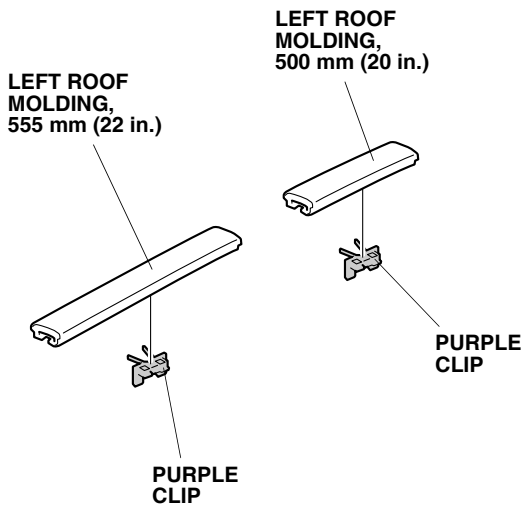
17. Using a utility knife, cut the one spacer B as shown.



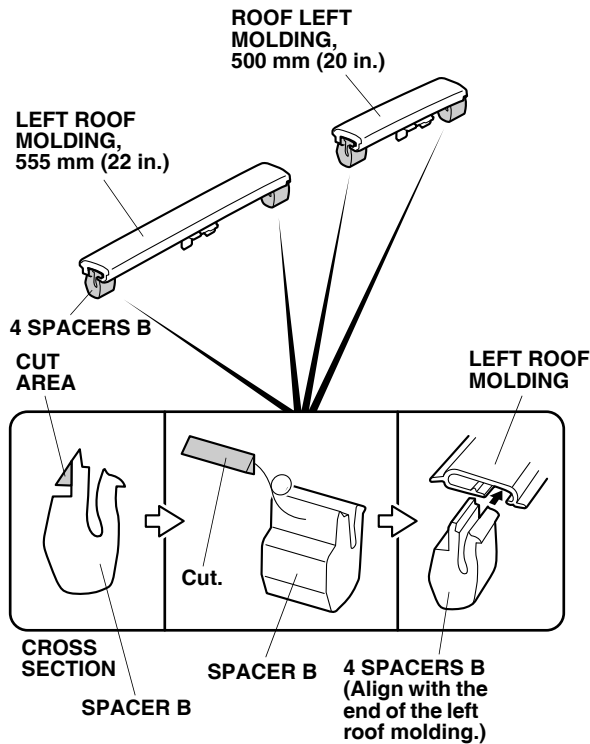
18. Install the one spacer B into the end of the left roof molding.

19. Install the left roof molding to the clip holder.

20. Install the purple clips removed in step 12 to the cut pieces of the left roof molding.

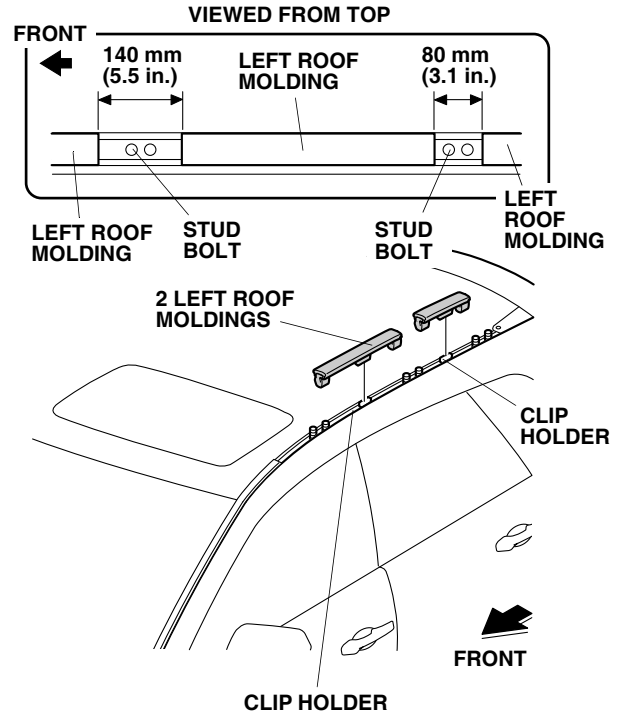


21. Using a utility knife, cut four spacers B as shown.

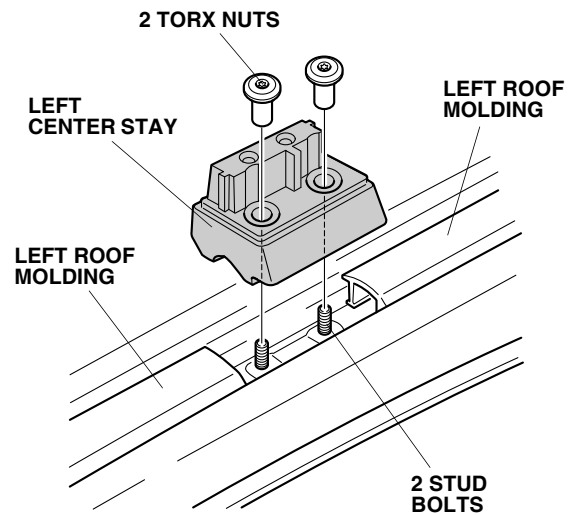


22. Install the four spacers B into the ends of the pieces of the left roof molding.

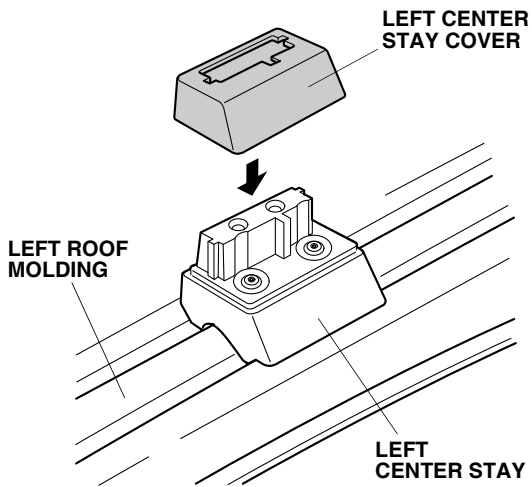
23. Install the left roof moldings onto the clip holders.



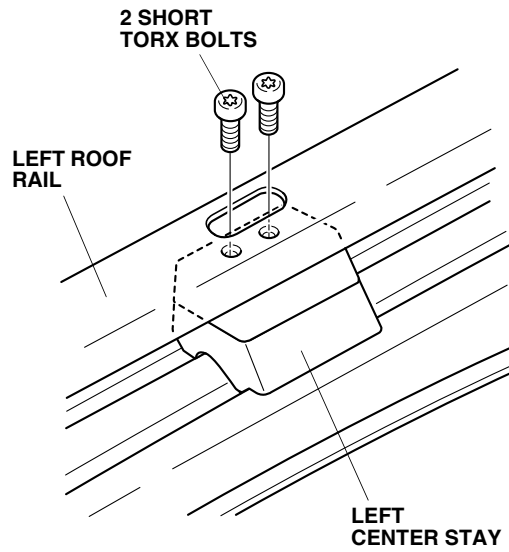
24. Install the left center stay to two stud bolts, and secure it with two Torx nuts. Torque the Torx nuts to 10-15 N·m (8-11 lb-ft).



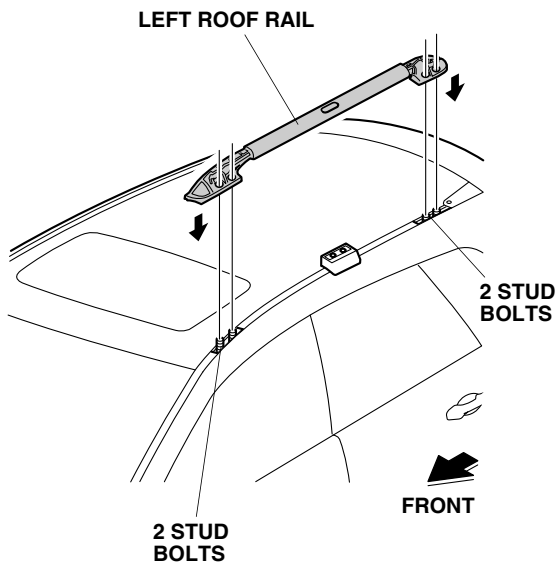
25. Install the left center cover onto the left center stay.



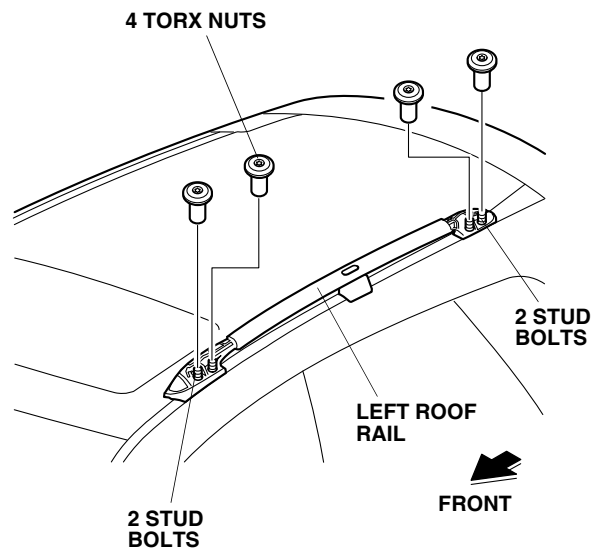
27. Secure the left roof rail to the left center stay with two short Torx bolts. Torque the short Torx bolts to 7-12 N·m (5-9 lb-ft).



26. Install the left roof rail onto the four stud bolts.

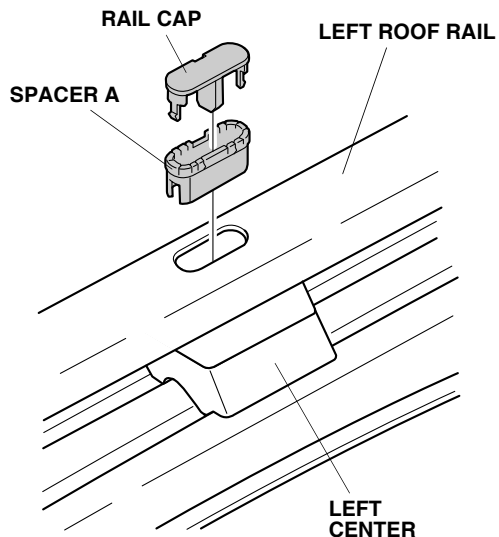


28. Secure the left roof rail to the four stud bolts with four Torx nuts. Torque the Torx nuts to 10-15 N·m (8-11 lb-ft).

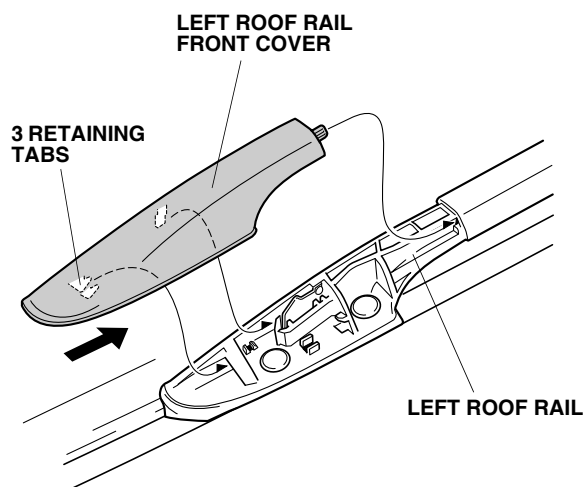




29. Install a spacer A and the rail cap to the left roof rail.



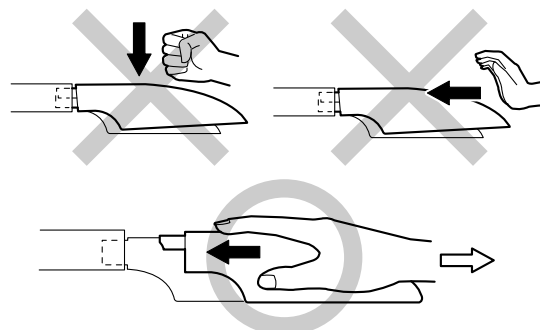
30. Install the left roof rail front cover to the left roof rail with three retaining tabs.



31. Install the left roof rail rear cover to the roof left rail with three retaining tabs.

32. Repeat steps 1 through 31 on the right side of the vehicle.

33. After installation, move the covers back and forth to verify that they are installed securely.



#### USE AND CARE

Check the roof rail mounting bolts frequently, and re-tighten if necessary.