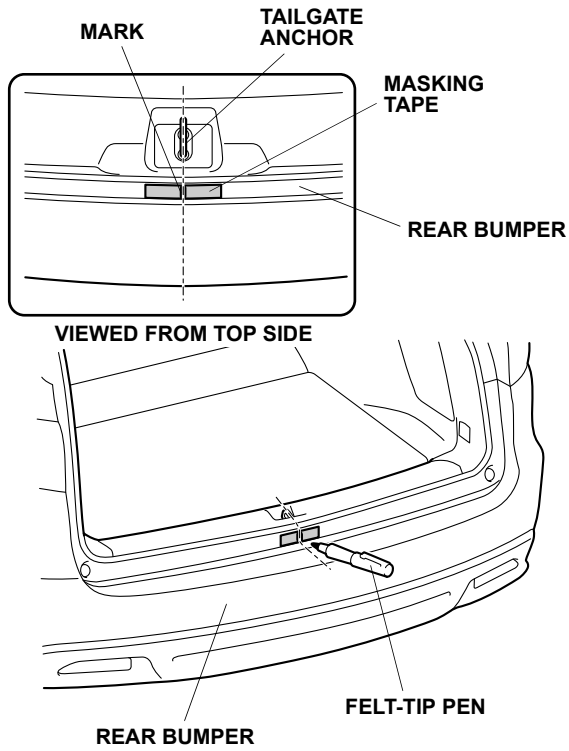
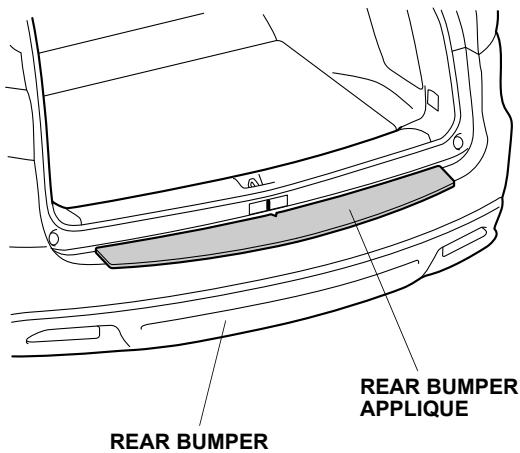




1. Attach masking tape to the rear bumper. Use a felt-tip pen to mark the masking tape as shown.

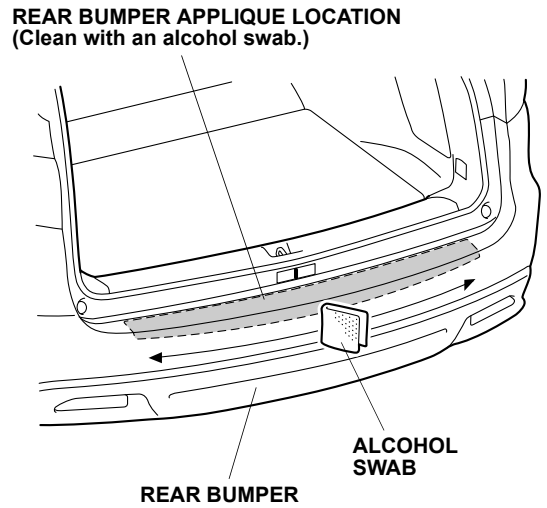


2. Align the rear bumper applique to the rear bumper and check the rear bumper applique installation position.



3. Remove the rear bumper applique.

4. Use the alcohol swab to thoroughly clean the area where the rear bumper applique will attach.



5. Using a spray bottle with the 3M protective tape application solution, spray the area where the rear bumper applique will attach. Spray some solution on your hands.

Spray with the 3M protective tape application solution.

