



# INSTALLATION INSTRUCTIONS

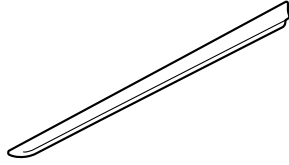
Accessory  
**BODY SIDE MOLDING**

Application  
**2018 RDX**

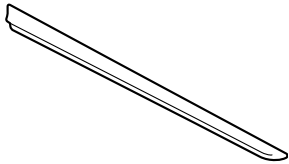
Publications No.  
**J9FG-CB%**  
Issue Date  
**MAY 2017**

## PARTS LIST

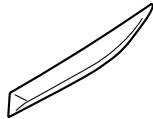
Left front body side molding



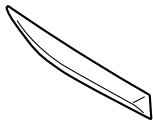
Right front body side molding



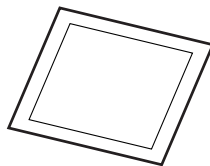
Left rear body side molding



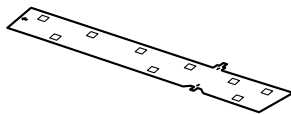
Right rear body side molding



4 Alcohol swabs



Template



## TOOLS AND SUPPLIES REQUIRED

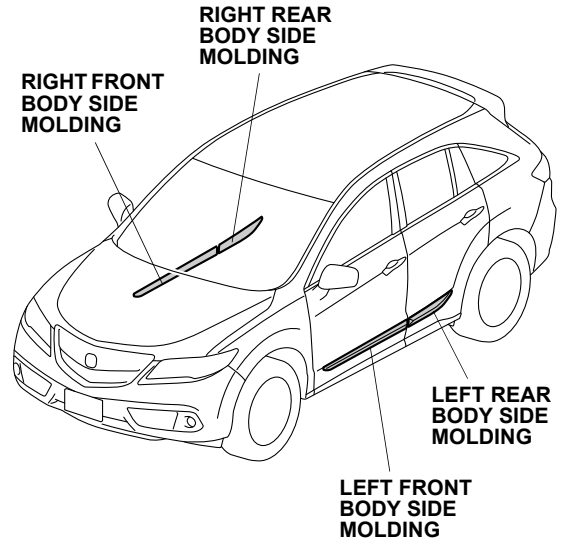
Masking tape

Ruler

*The following tool is available through the Acura Tool and Equipment Program. On the iN, click on Service > Service Bay > Tool and Equipment Program, then enter the number under "Search." Or, call 888-424-6857.*

Rubber roller (T/N MHLE54D)

## Illustration of the Body Side Moldings on the Vehicle



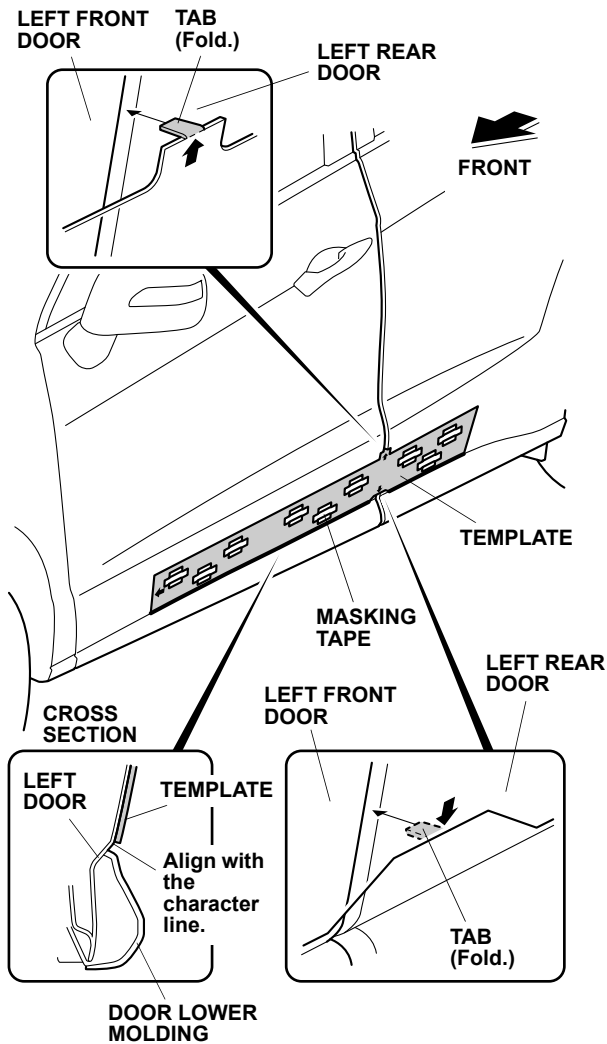
## INSTALLATION

**Client Information:** The information in this installation instruction is intended for use only by skilled technicians who have the proper tools, equipment, and training to correctly and safely add equipment to your vehicle. These procedures should not be attempted by "do-it-yourselfers."

### NOTE:

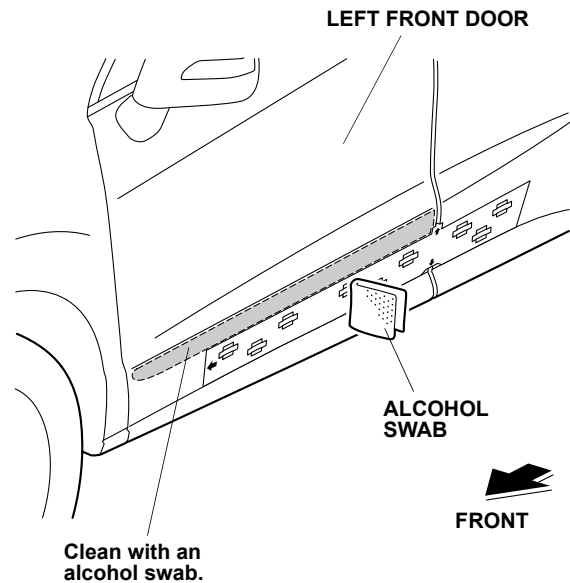
- If you are also installing the accessory door edge film kit (sold separately), install it before you install the body side molding.
- Do not damage the paint finish.
- This kit should be installed only if the ambient air temperature is 15°C (60°F) or above.
- To allow the adhesive to cure, do not wash the vehicle for 24 hours. Please advise the client.

1. Fold the top and bottom tabs located in the center of the template. Insert the folded tabs between the left front door and left rear door.

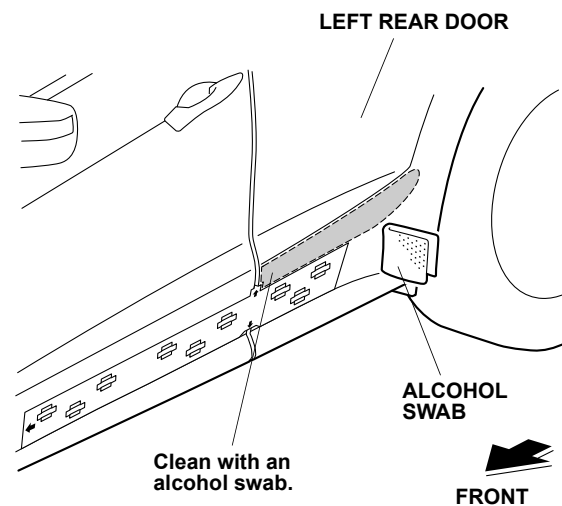


2. Align the template with the character line above the door lower molding, and attach the template to the left doors with strips of masking tape as shown.

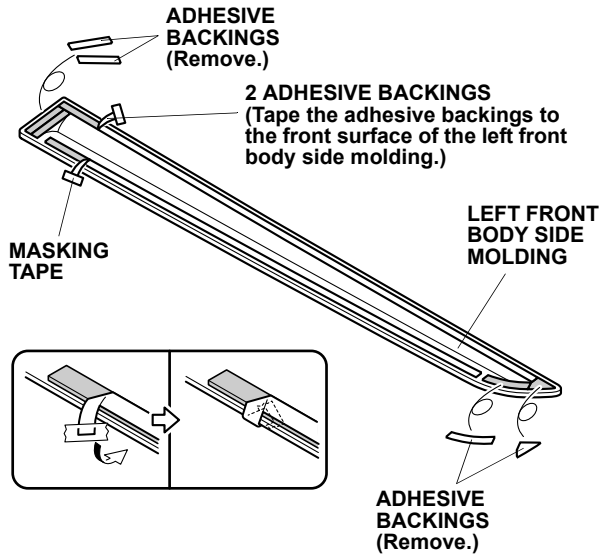
3. Using an alcohol swab, thoroughly clean the left front door where the left front body side molding will attach.



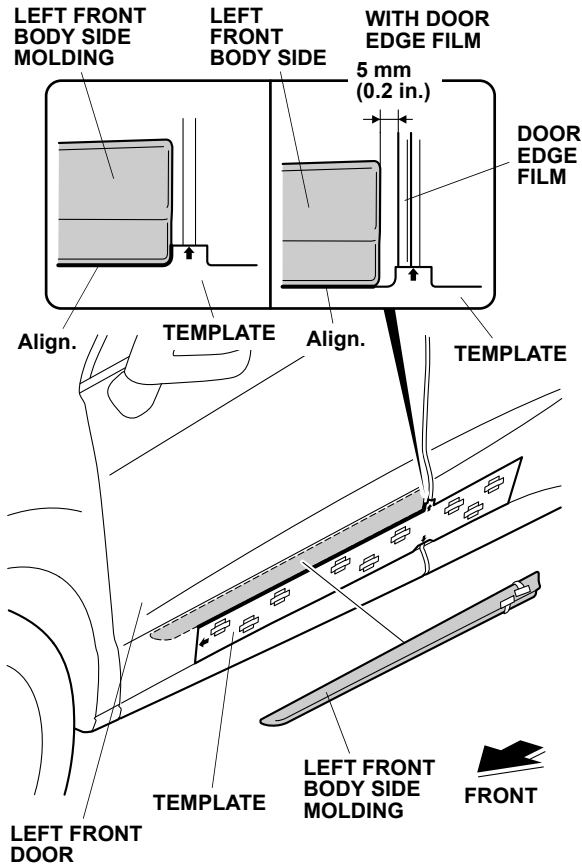
4. Using an alcohol swab, thoroughly clean the left rear door where the left rear body side molding will attach.



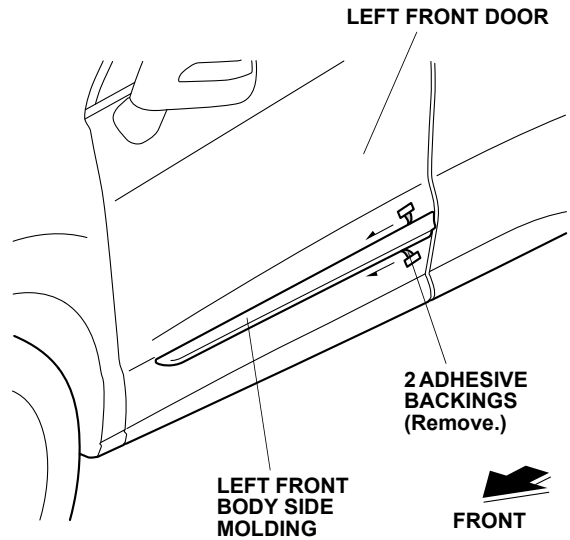
- Peel back the adhesive backing from two adhesive strips, and tape the ends to the front surface of the body side molding with masking tapes. Remove the small pieces of adhesive backings.



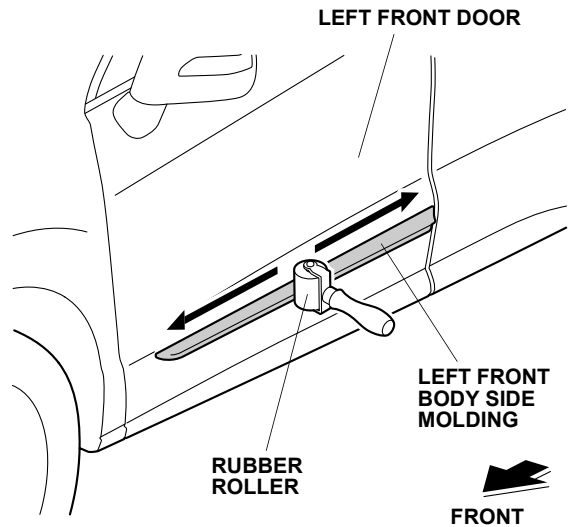
- Align the left front body side molding with the template and attach it to the left front door as shown. NOTE: If the vehicle is equipped with door edge film, attach the left front body side molding at the indicated position.



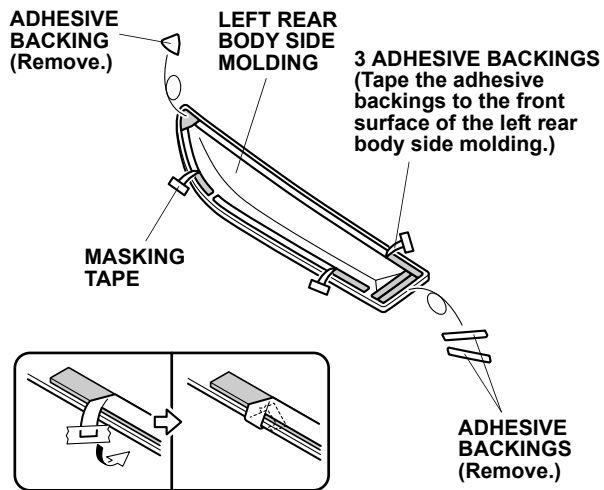
- While applying light pressure against the left front body side molding, carefully remove the taped adhesive backings.



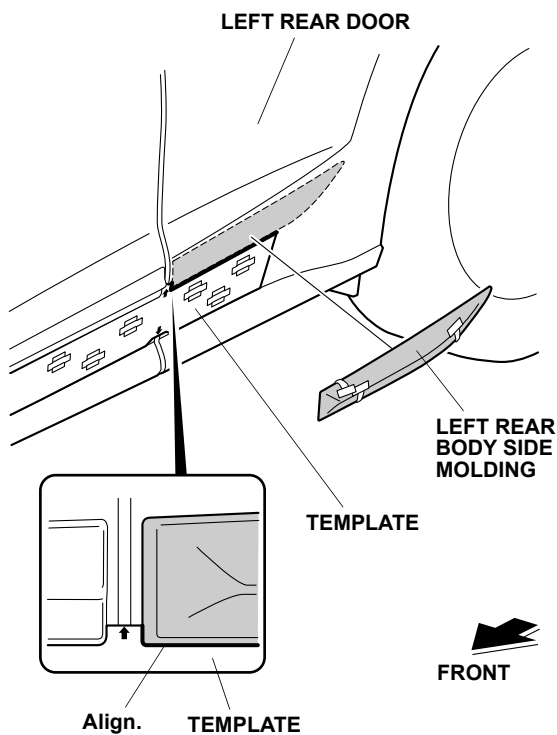
- Using a rubber roller, apply pressure against the left front body side molding and roll from one end to the other.



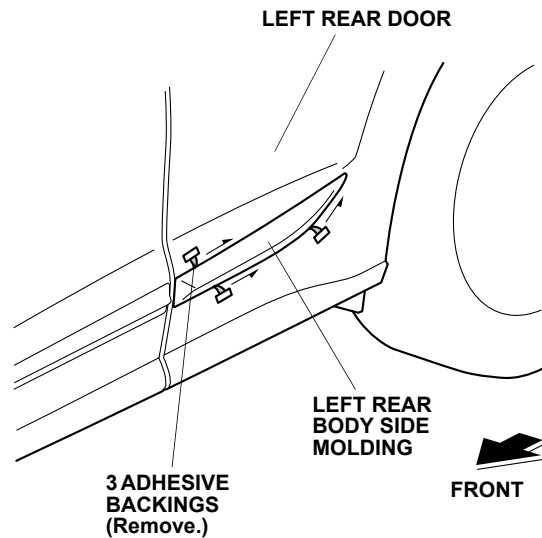
- Peel back the adhesive backing from three adhesive strips, and tape the ends to the front surface of the body side molding. Remove the small pieces of adhesive backing.



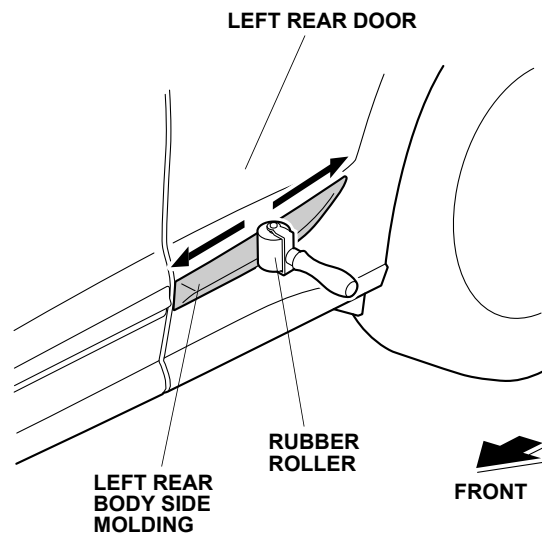
- Align the left rear body side molding with the template and attach it to the left rear door as shown.



- While applying light pressure against the left rear body side molding, carefully remove the taped adhesive backings.



- Using a rubber roller, apply pressure against the left rear body side molding and roll from one end to the other.



- Turn the template over and repeat steps 1 through 12 to install the body side moldings on the right side of the vehicle.