



# INSTALLATION INSTRUCTIONS

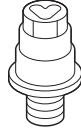
Accessory  
**ENGINE BLOCK HEATER**  
P/N 08T44-SNA-102

Application  
**2018 MDX**

Publications No.  
**VERSION 1**  
Issue Date  
**SEP 2017**

## PARTS LIST

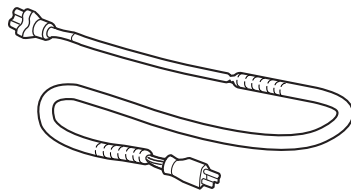
Engine block heater



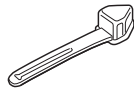
Aluminum washer



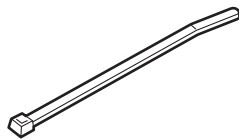
Heater harness



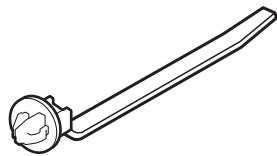
Protective cap



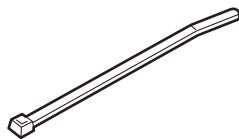
12 Black wire ties  
(1 Not used)



7 Wire ties with clip  
(6 Not used)



5 Natural wire ties



## TOOLS AND SUPPLIES REQUIRED

Phillips screwdriver

Ratchet

10 mm, 19 mm, and 24 mm Sockets

10 mm Open end wrench

Torque wrench

Diagonal cutters

Heavy gloves

Drain pan

Tape measure

White marker

Coolant (Acura Long Life Antifreeze/Coolant Type 2)

Blanket

Fender cover

Masking tape

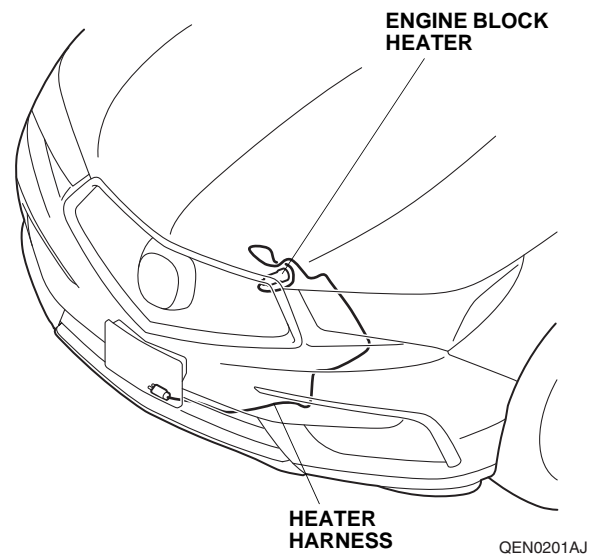
Shop towel

Container

*The following tools are available through the Acura Tool and Equipment Program. On the iN, click on Service > Service Bay > Tool and Equipment Program, then enter the number under "Search." Or, call 888-424-6857.*

- Trim Tool Set (T/N SOJATP2014)
- Plastic Trim Tool (T/N SILTRIMTL10)

## Illustration of the Engine Block Heater Installed on the Vehicle



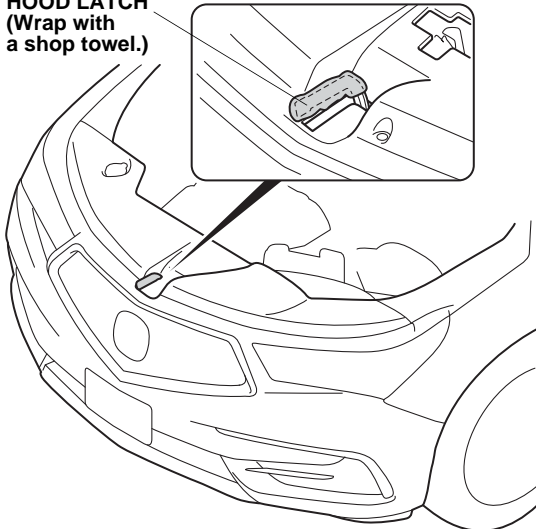
## INSTALLATION

**Client Information:** The information in this installation instruction is intended for use only by skilled technicians who have the proper tools, equipment, and training to correctly and safely add equipment to your vehicle. These procedures should not be attempted by “do-it-yourselfers.”

### NOTICE:

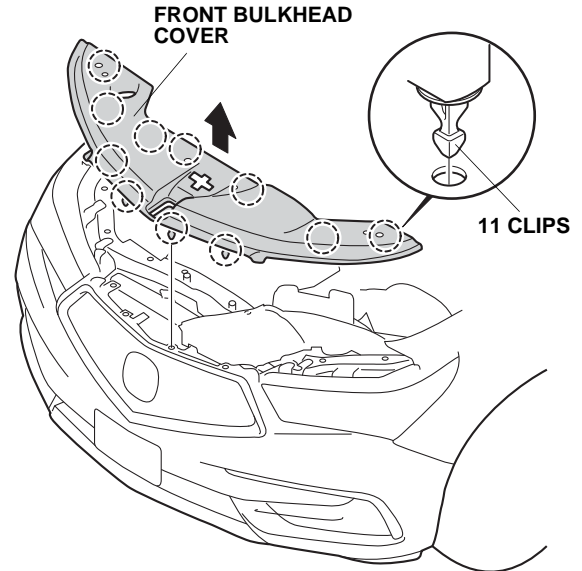
- Always use Acura Long Life Antifreeze/Coolant Type 2. Using a non-Acura coolant can result in corrosion, causing the cooling system to malfunction or fail.
  - To avoid burning out the element, do not operate the engine block heater until it is installed in the vehicle and you have added coolant.
1. Allow the engine and all cooling system components to cool down.
  2. Disconnect the negative cable from the battery:
    - Wrap a shop towel around the hood latch.

**HOOD LATCH**  
(Wrap with a shop towel.)



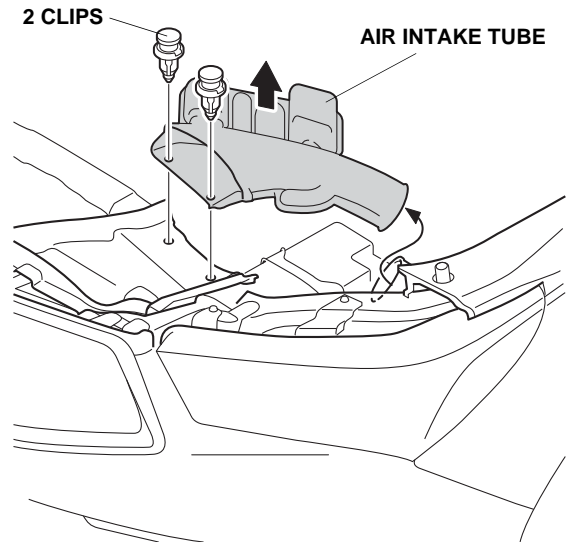
QE03001BJ

- Remove the front bulkhead cover.



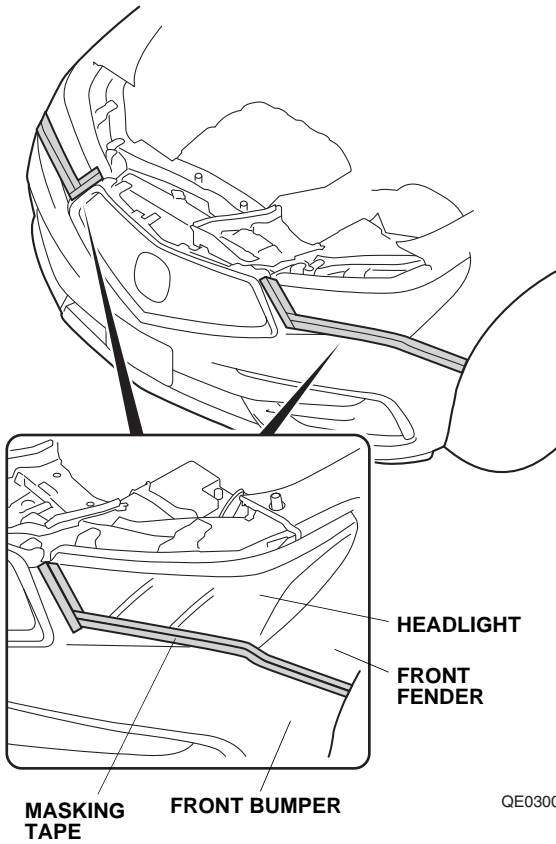
QE03002BJ

- Remove the air intake tube.
- Disconnect the negative cable from the battery.

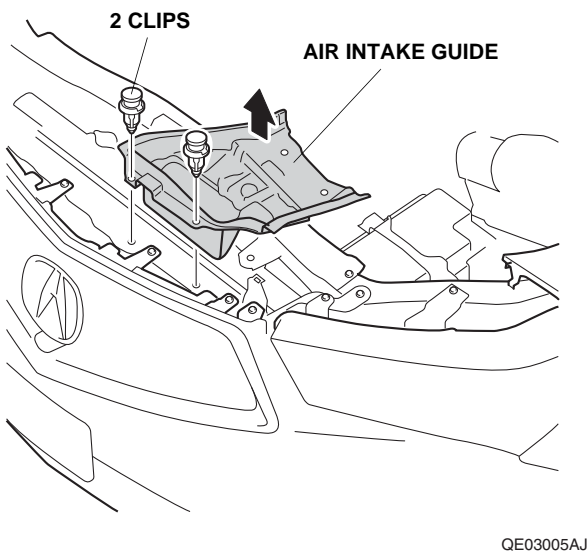


QE03003AJ

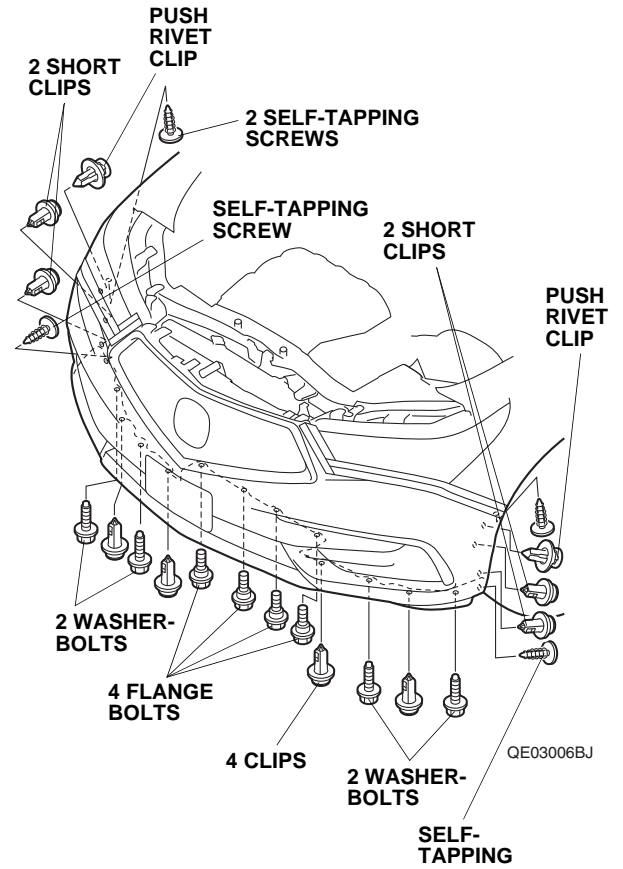
3. Remove the front bumper:
  - Apply masking tape as shown on each side.



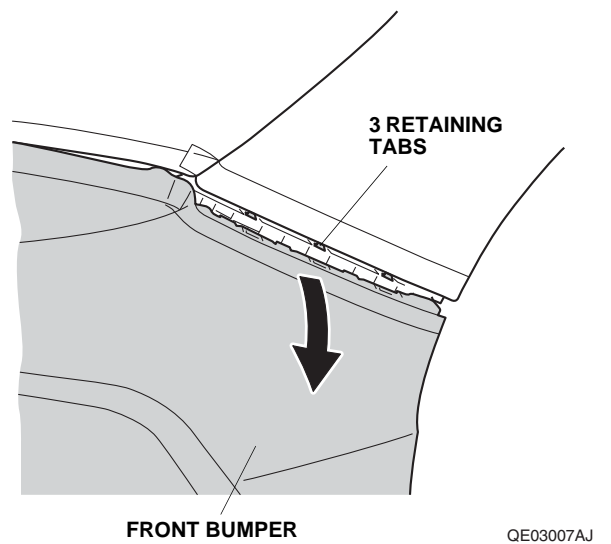
- Remove the air intake guide.



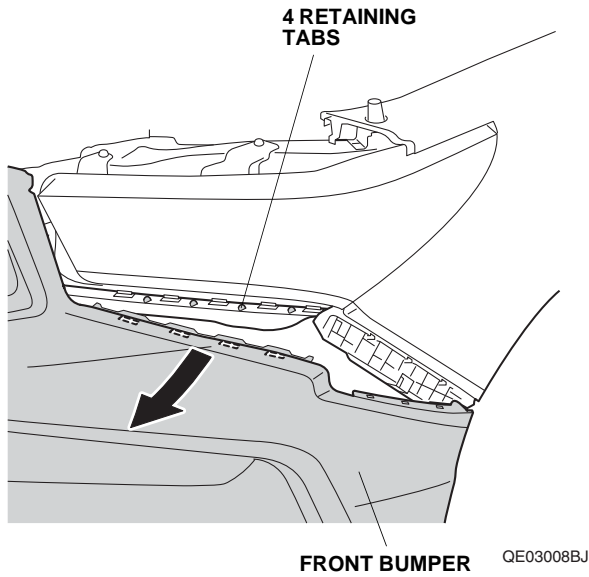
- Remove the four self-tapping screws, the two push rivet clips, the two push rivet clips, the four clips, the four short clips, the four washer-bolts, and the four flange bolts.



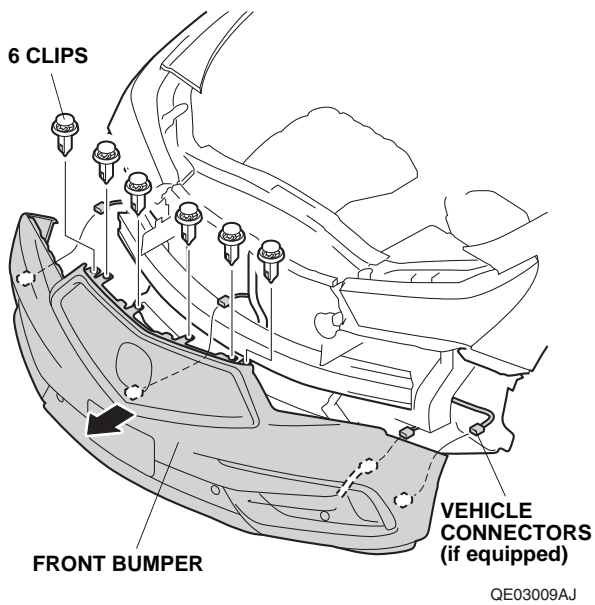
- Release the three retaining tabs on each side.



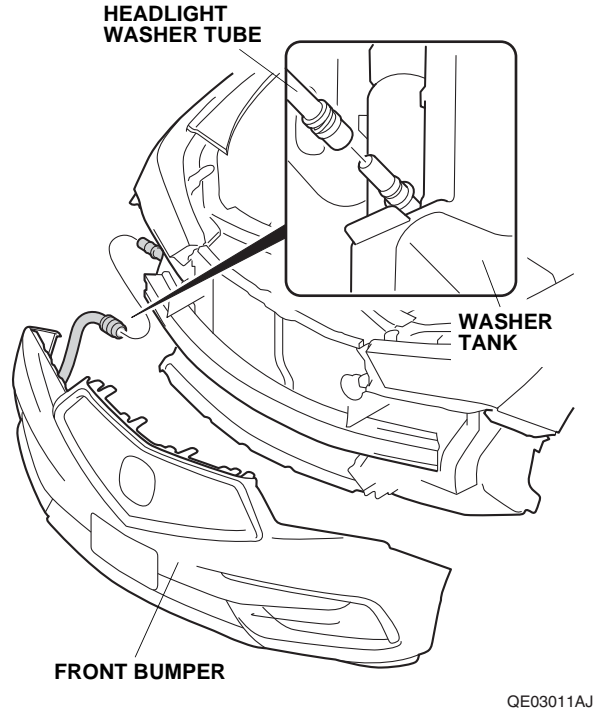
- With the help of an assistant, release the four retaining tabs on each side.



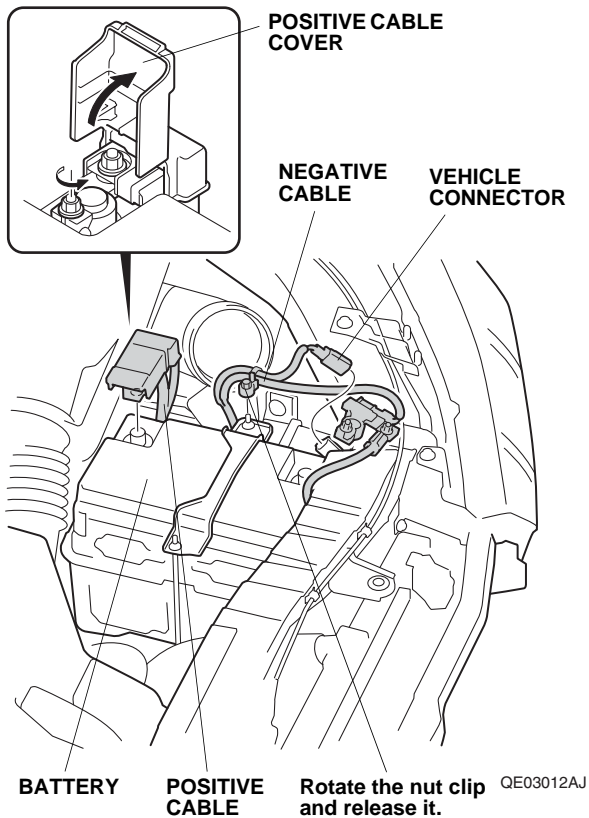
- With the help of an assistant, release the front bumper and unplug the vehicle connectors.



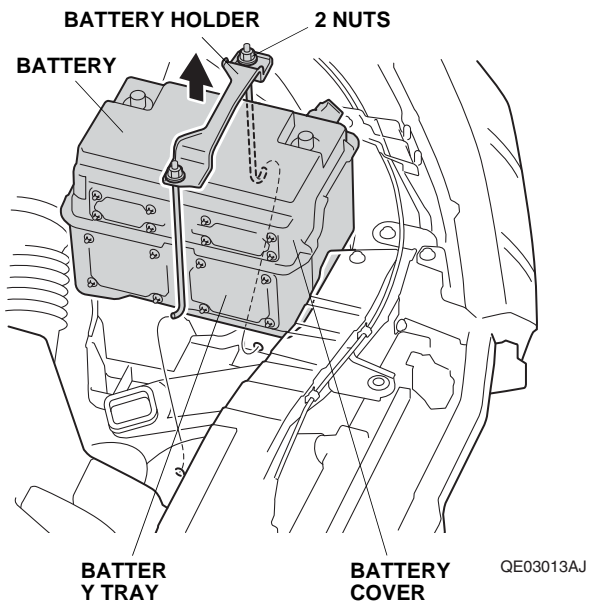
- If the vehicle is equipped with headlight washers, place a suitable container under the tube end to collect the washer fluid. Disconnect the headlight washer tube.
- Remove the front bumper. Place the front bumper on the blanket to prevent damage.



- Open the positive cable cover and disconnect the positive cable from the battery. Release the nut clip on the negative cable and unplug the vehicle connector.

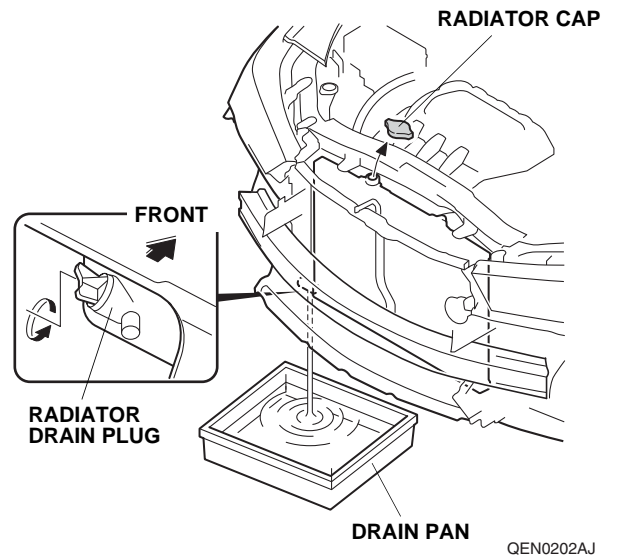


- Remove the battery, battery holder, battery cover, and the battery tray.

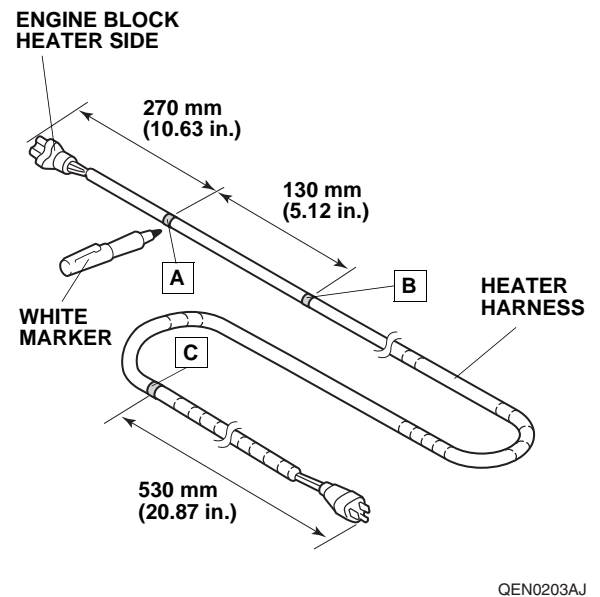


- Place a clean drain pan under the radiator drain plug, then remove the drain plug from the bottom of the radiator to drain the coolant. Remove the radiator cap to increase the flow.

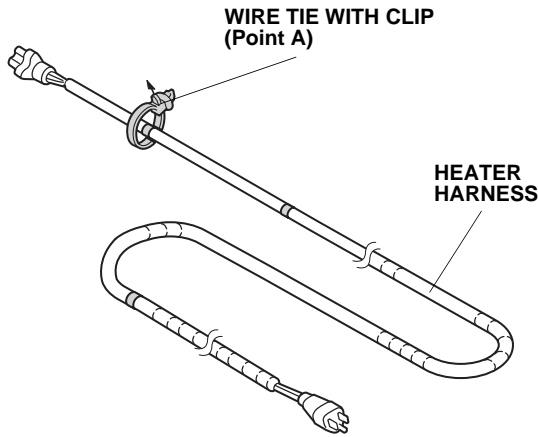
**NOTICE:** Radiator coolant will damage the paint. Quickly rinse any spilled coolant from the paint.



- Drain the coolant completely, then install the radiator cap.
- Using a white marker and tape measure, mark the heater harness at [A], [B], and [C] as shown.

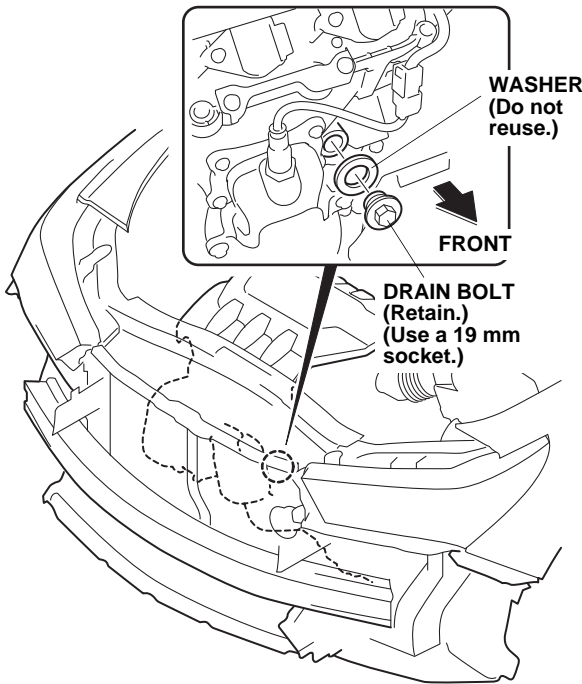


9. Install the one wire tie with clip to the heater harness at point **A** as shown.



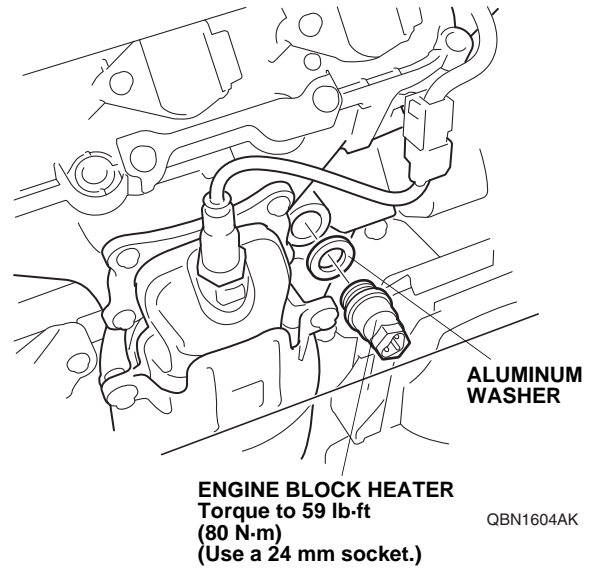
QEN0204AJ

10. Locate and remove the drain bolt and washer. Coolant remaining in the engine jackets flows out of the hole when the drain bolt is removed. Retain the drain bolt; it will be used if the engine block heater is removed.  
NOTE: Use a new washer if the drain bolt is reinstalled.



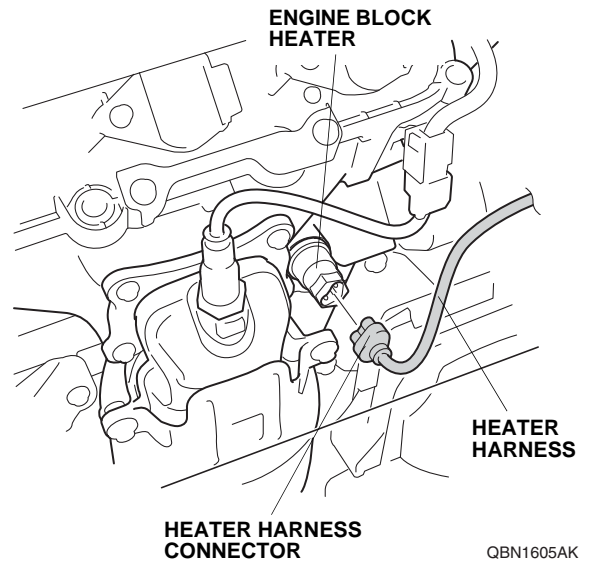
QEN0205AJ

11. Install the engine block heater with the aluminum washer into the bolt hole using a 24 mm socket. Torque the engine block heater to 59 lb-ft (80 N·m).



QBN1604AK

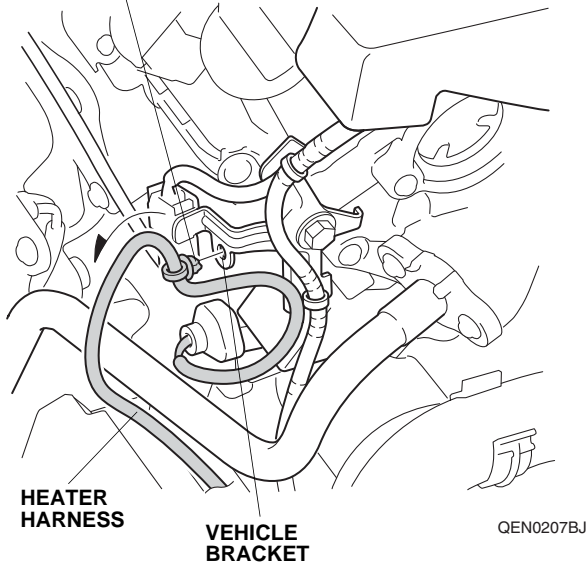
12. Plug the heater harness connector into the engine block heater.  
NOTE: Make sure it is fully seated in the engine block heater.



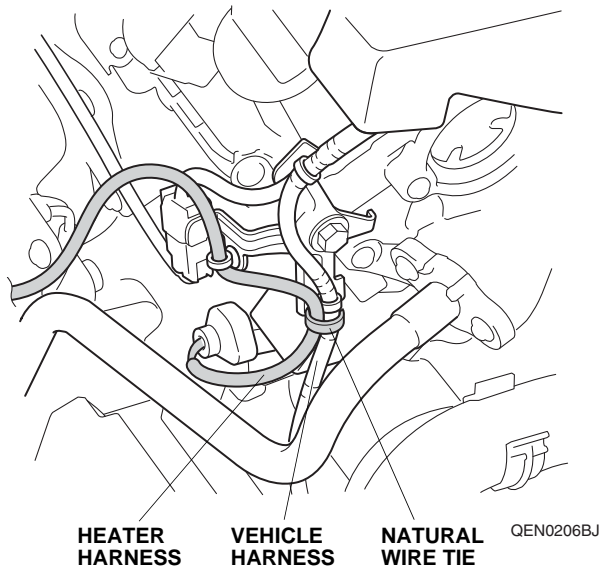
QBN1605AK

- Route the heater harness in the direction shown and secure the heater harness to the vehicle bracket with one wire tie with clip installed in step 9.

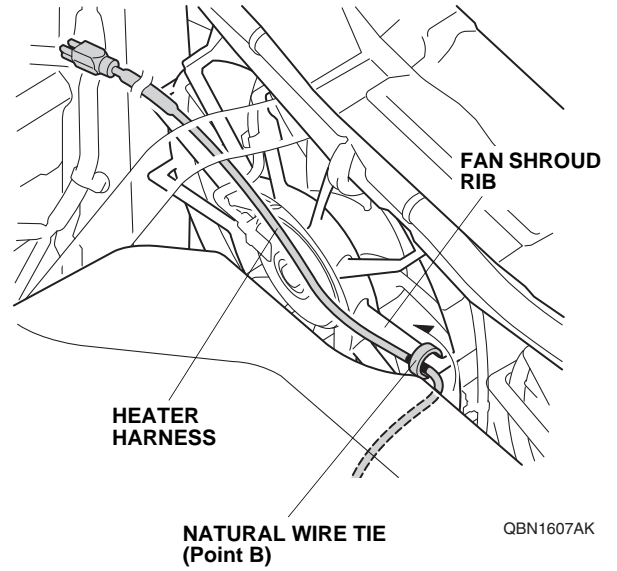
**WIRE TIE WITH CLIP  
(installed in step 9)**



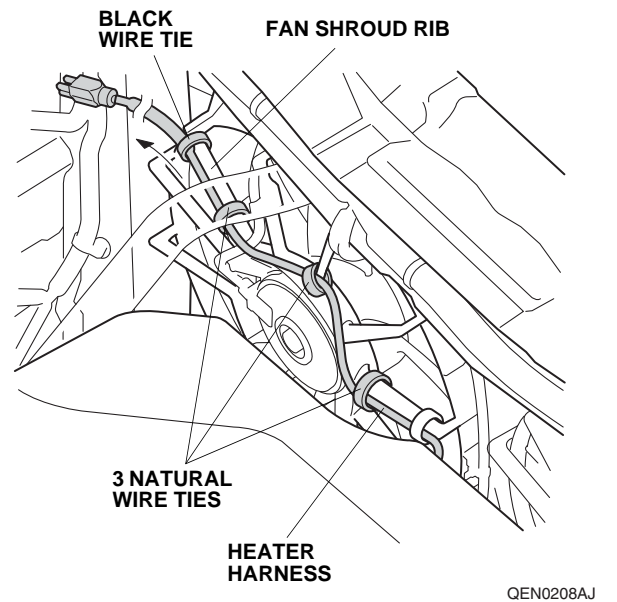
- Secure the heater harness to the vehicle harness with one natural wire tie.



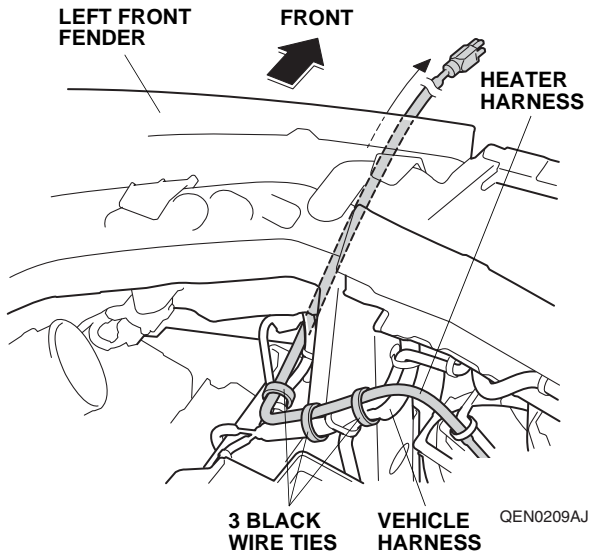
- Route the heater harness toward the fan shroud and secure the heater harness to the fan shroud rib with the one natural wire tie at the point B.



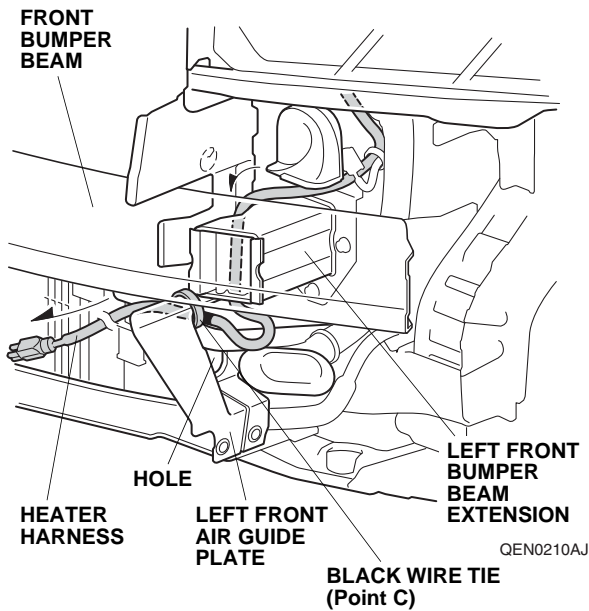
- Route the heater harness across the fan shroud and secure the heater harness to the fan shroud ribs with three natural wire ties and one black wire tie.



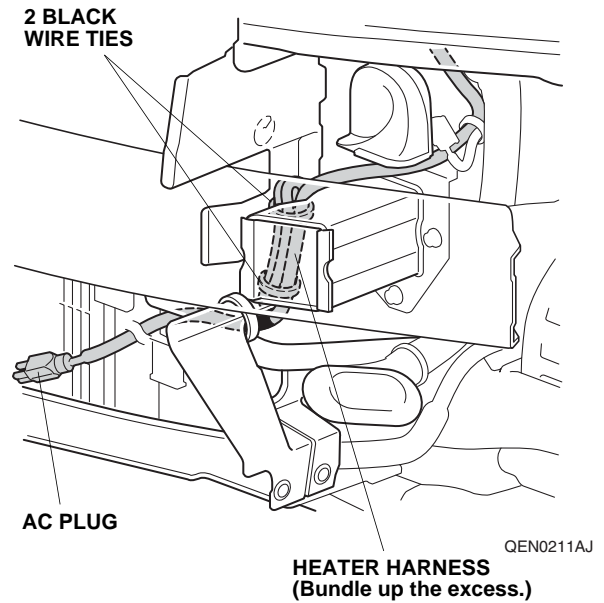
17. Route the heater harness through the front bulkhead and secure the heater harness to the vehicle harness with three black wire ties.



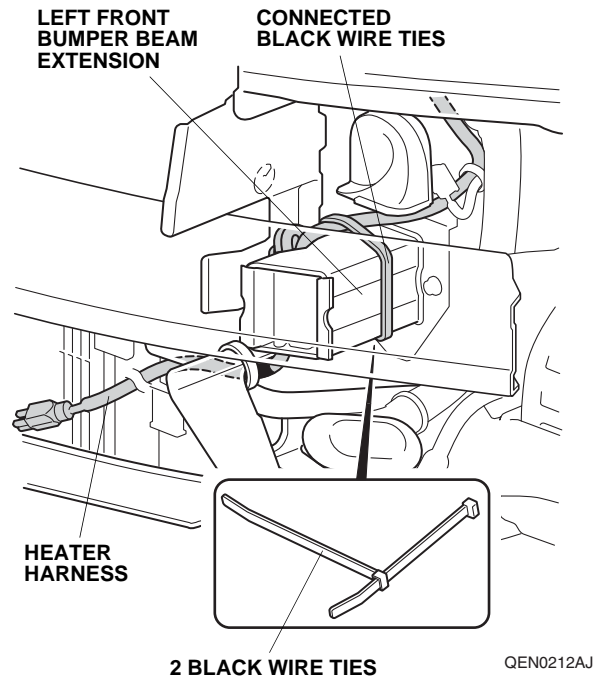
18. Route the heater harness down under the front bumper beam and secure the heater harness to the left front air guide plate hole with one black wire tie at point C.



19. Line up the AC plug with the middle of the vehicle. If you have excess heater harness, bundle it up and secure it with two black wire ties as shown.

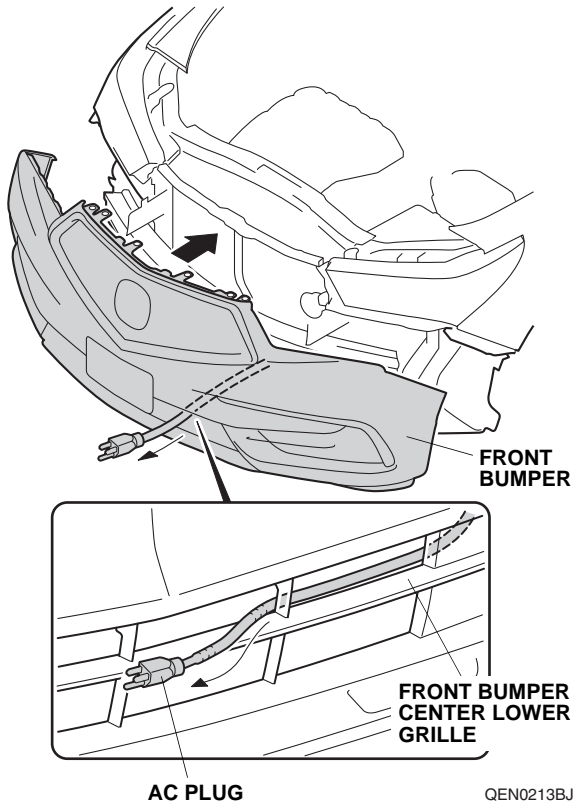


20. Connect two black wire ties together and secure the heater harness to the left front bumper beam extension with the connected black wire ties.

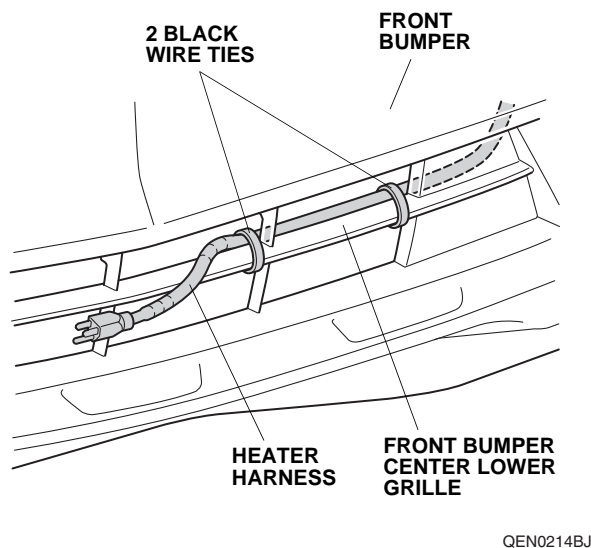




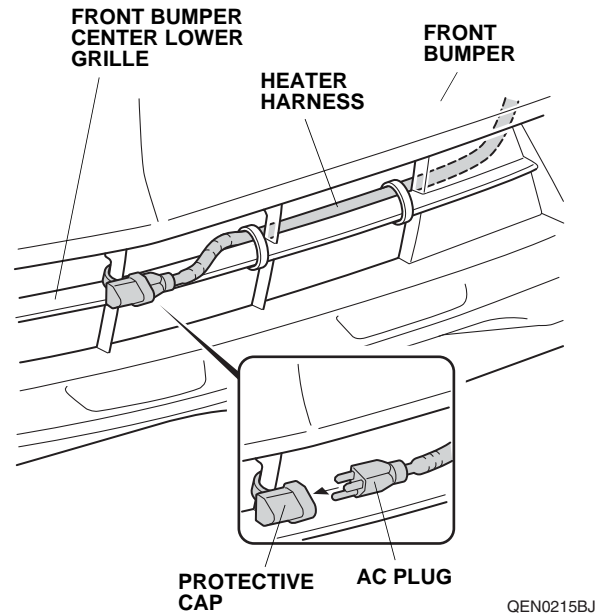
- With the help of an assistant, route the heater harness through the front bumper center lower grille, then install the front bumper.



- Secure the heater harness to the front bumper center lower grille with two black wire ties.



- Attach the protective cap to the front bumper center lower grille and plug the AC plug into the protective cap.



- Install all removed parts except for the front bulkhead cover and the air intake tube.
- Install the radiator drain plug.
- Remove the radiator cap and fill the system with the recommended coolant. Follow the instructions in the service information. Check that there are no leaks around the engine block heater.
- Make sure the heater harness is routed properly and all connectors are plugged in.
- Install the radiator cap.
- Keep the drain bolt (removed in step 10) in a safe place.
- Connect the negative cable to the battery.
- Install the front bulkhead cover and the air intake tube.
- Press and hold the audio unit power button for 2 seconds to restore audio and navi (if equipped) system functions.
- Set the clock.
- If necessary, restore the systems back to normal operation as described in the service information.
- If equipped, check the multiple view camera system. To make adjustments, refer to the online service information.