



# INSTALLATION INSTRUCTIONS

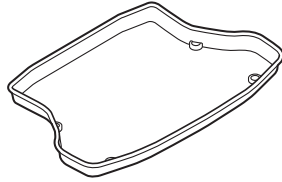
Accessory  
**TRUNK TRAY**  
P/N 08U45-TX6-200

Application  
**2018 ILX**

Publications No.  
**VERSION 1**  
Issue Date  
**SEP 2017**

## PART LIST

Trunk tray



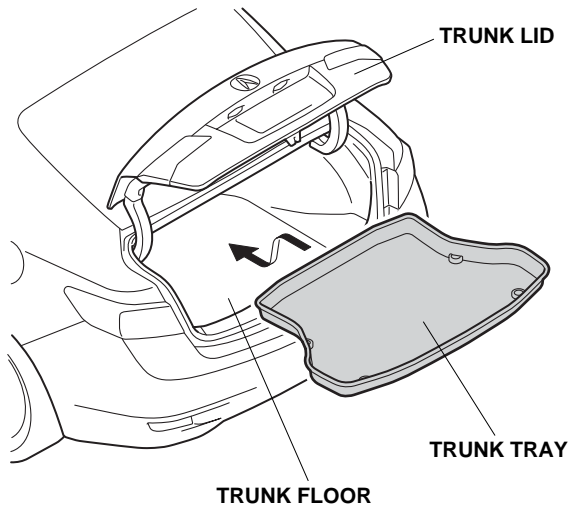
## TOOLS AND SUPPLIES REQUIRED

Utility knife

## INSTALLATION

### Without Cargo Net

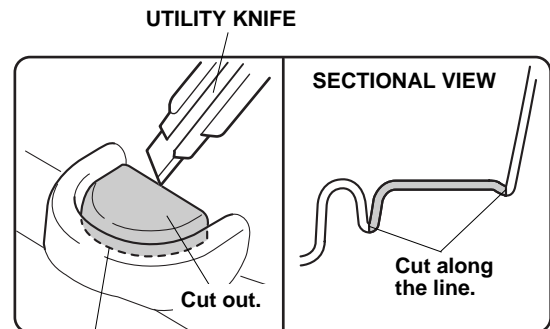
1. Open the trunk lid. Place the trunk tray on the trunk floor.



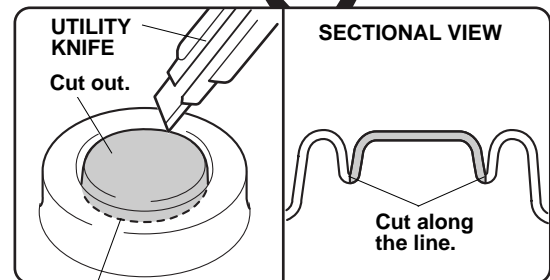
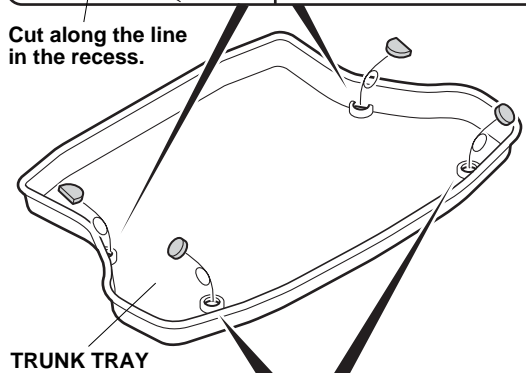
QA91802AJ

### With Cargo Net

2. Using a utility knife, cut out the four areas of the trunk tray as shown.



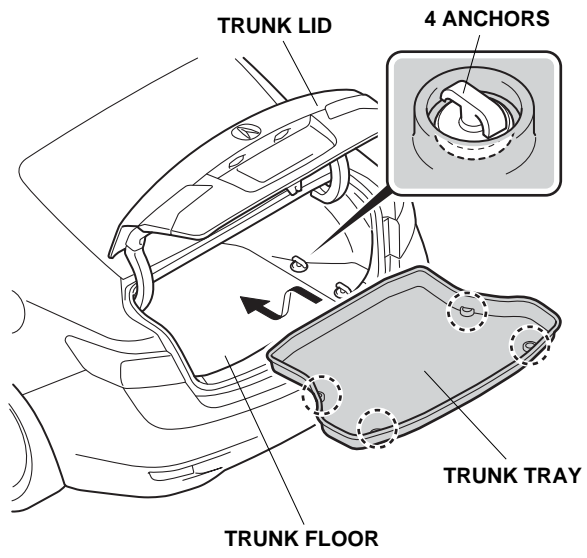
Cut along the line in the recess.



Cut along the line in the recess.

Q070601CJ

3. Open the trunk lid. Place the trunk tray on the trunk floor.



QA91801BJ