



# INSTALLATION INSTRUCTIONS

Accessory  
**FRONT UNDER SPOILERS**  
P/N 08F01-TX6-220A

Application  
**2018 ILX**

Publications No.  
**VERSION 1**  
Issue Date  
**SEP 2017**

## PARTS LIST

Left front under spoiler



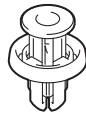
Right front under spoiler



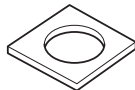
12 Clip holders



4 Bumper clips



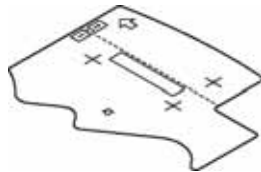
16 Seals



2 Alcohol swabs



Template



## TOOLS AND SUPPLIES REQUIRED

Phillips screwdriver

Pushpin

Drill

3 mm, 6 mm, 8 mm, and 10 mm Drill bits

File

Masking tape

Shop towel

Diagonal cutters

Scissors

Eye protection (face shield, safety goggles, etc.)

Blanket

Felt-tip pen

Ruler

Tape

Ratchet

10 mm Socket

*The following tools are available through the Acura Tool and Equipment Program. On the iN, click on Service > Service Bay > Tool and Equipment Program, then enter the number under "Search." Or, call 888-424-6857.*

- Trim Tool Set (T/N SOJATP2014)
- Rubber Roller (T/N MHLE54D)

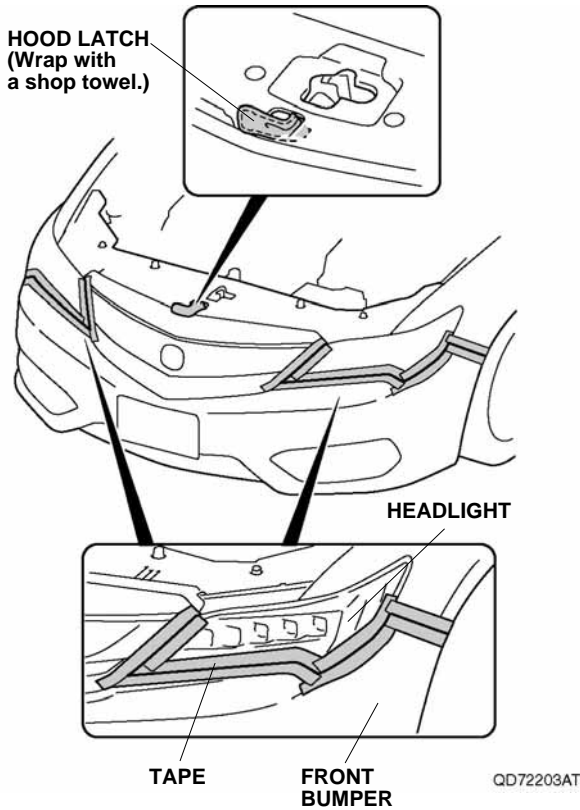
## INSTALLATION

**Client Information:** The information in this installation instruction is intended for use only by skilled technicians who have the proper tools, equipment, and training to correctly and safely add equipment to your vehicle. These procedures should not be attempted by "do-it-yourselfers."

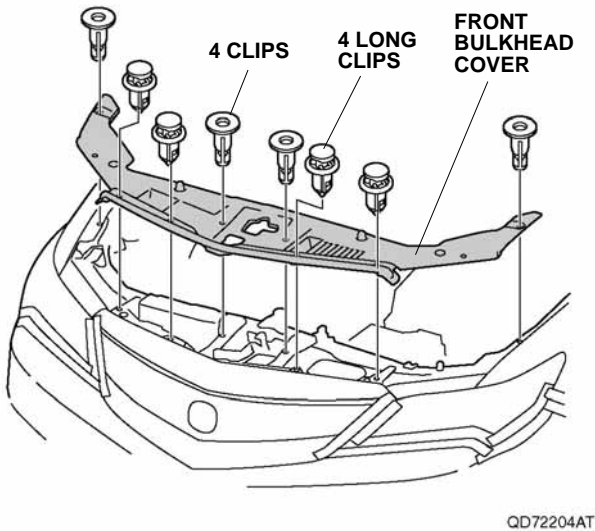
### NOTE:

- Be careful not to damage the paint finish.
- This front under spoilers kit should be installed only if the ambient air temperature is 15°C (60°F) or above.
- To allow the adhesive to cure, advise the client not to wash the vehicle for 24 hours.

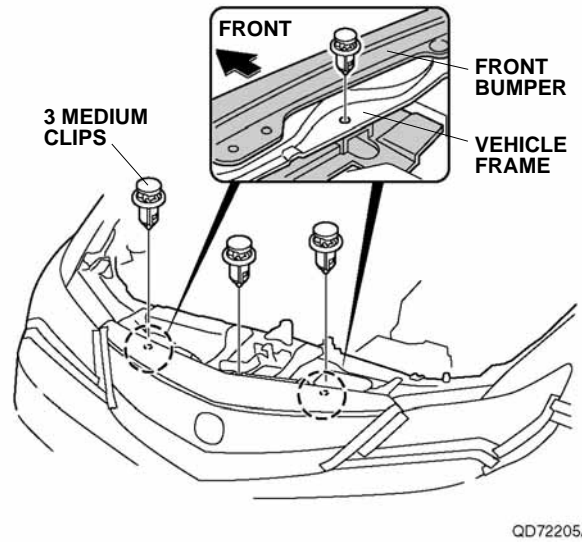
1. Disconnect the negative cable from the battery.
2. Remove the front bumper:
  - Attach tape to the areas shown on each side.
  - Wrap a shop towel around the hood latch.



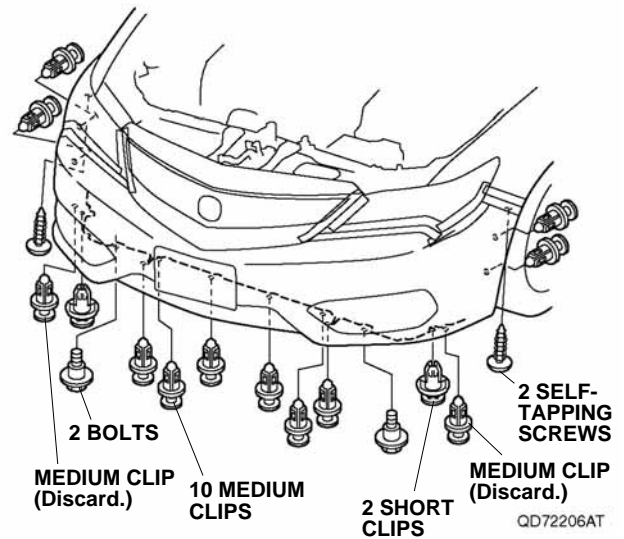
- Remove the front bulkhead cover.



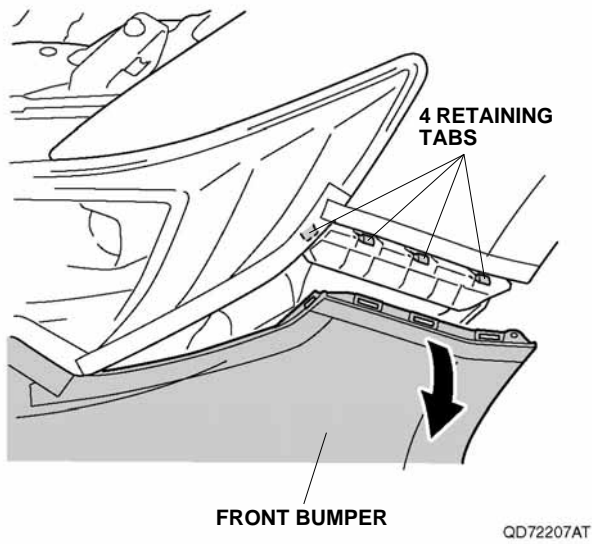
- Remove three medium clips.



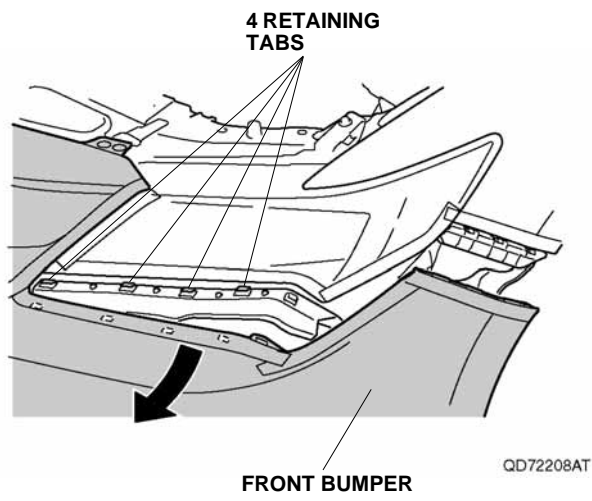
- Remove 2 self-tapping screws, 2 bolts, 2 short clips, and 12 medium clips.



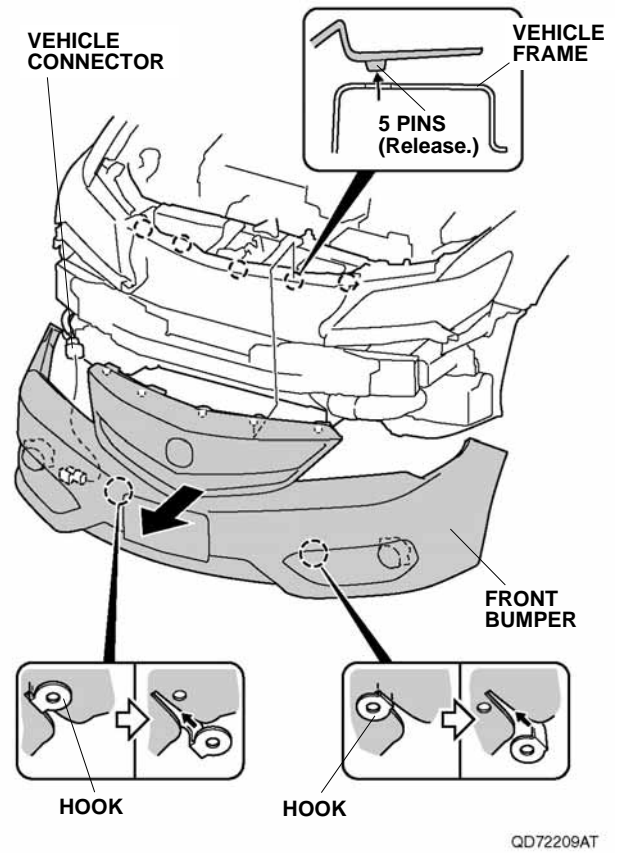
- Release four retaining tabs on each side.



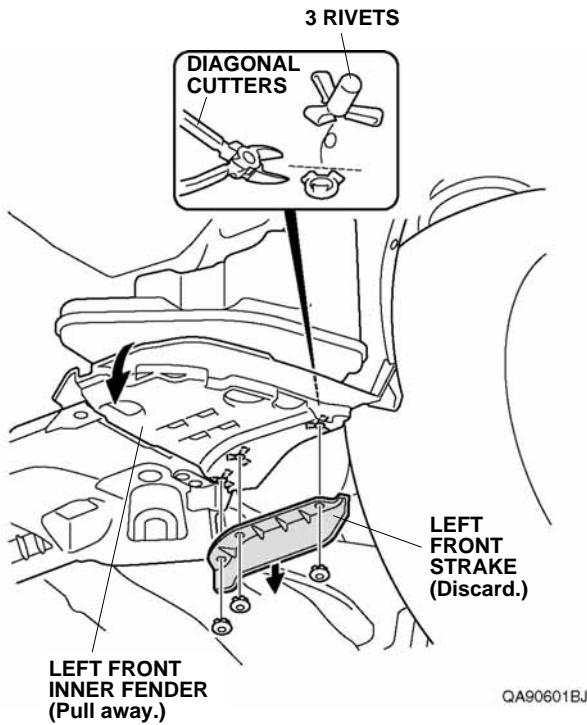
- With the help of an assistant, release the four retaining tabs on each side.



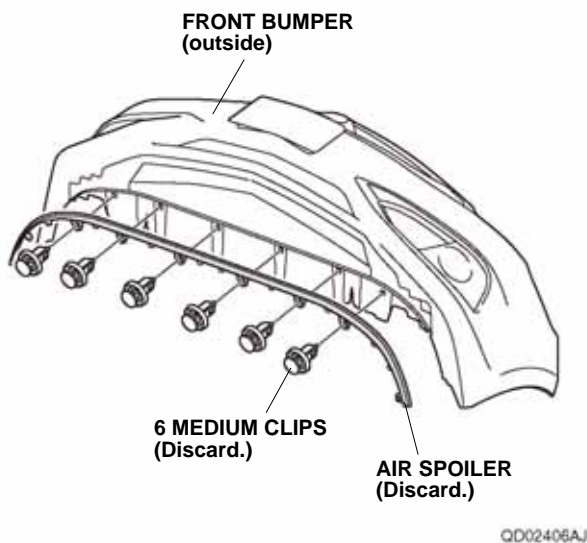
- With the help of an assistant, remove the front bumper. Place the front bumper on a blanket to prevent damage.



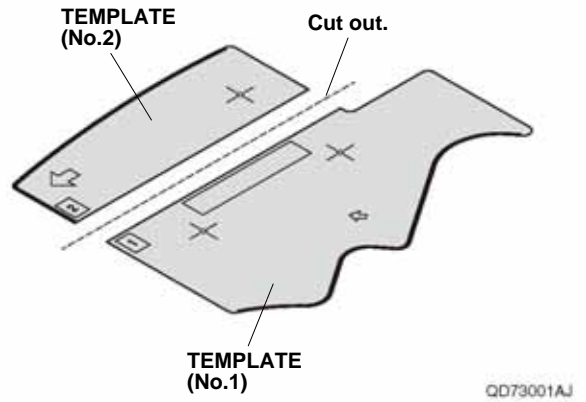
- On the inside of the left front inner fender, locate the three rivets. Using diagonal cutters, cut and remove the rivets. Remove the left front strake.



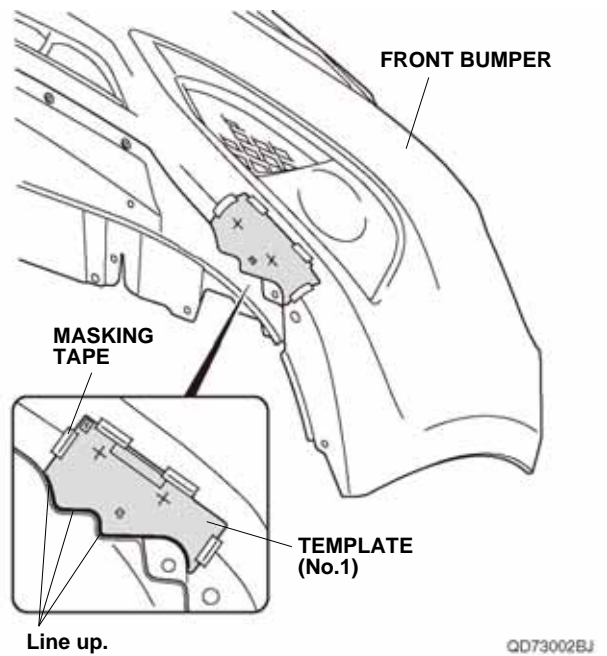
- Remove the right front strake the same way.
- Remove the air spoiler.



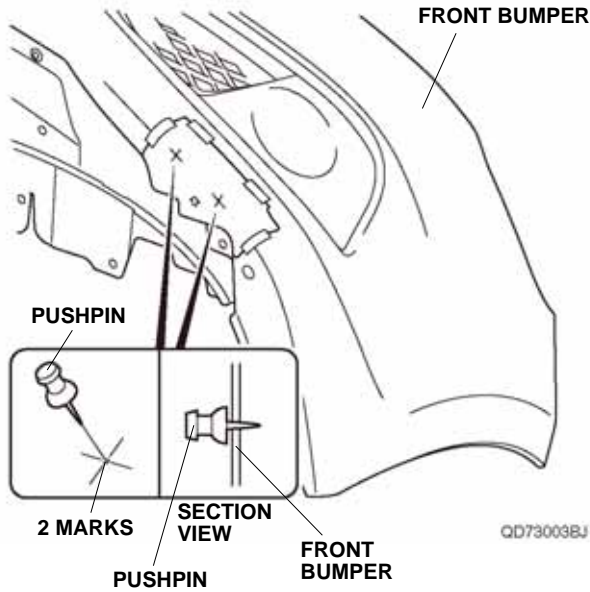
- Using scissors, cut out the template.



- Line up the template with the front bumper as shown. Attach the template to the front bumper using masking tape.

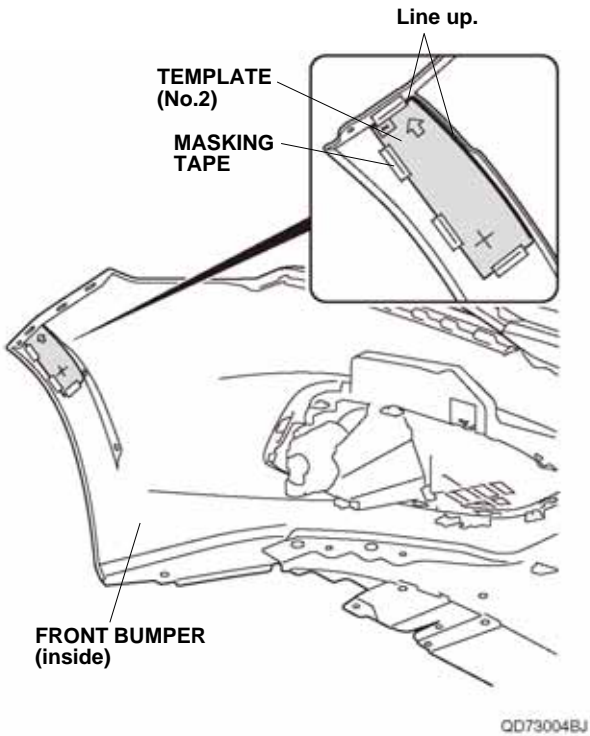


8. Using a pushpin, pierce the center of two marks on the template.

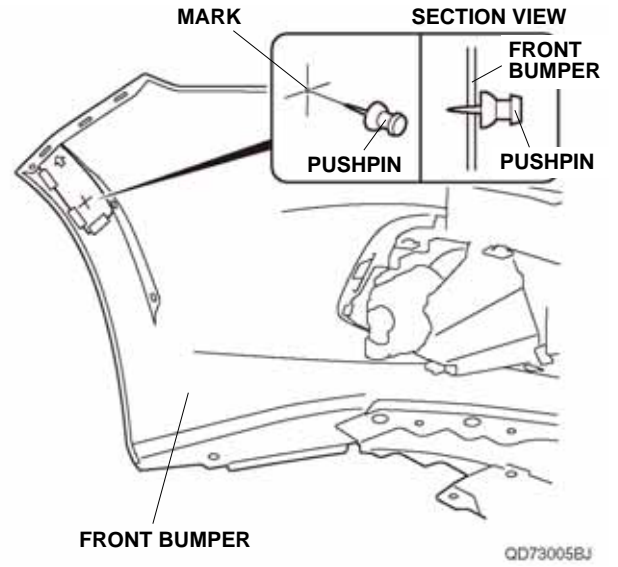


9. Remove the template.

10. Line up the template with the front bumper as shown. Attach the template to the front bumper using masking tape.

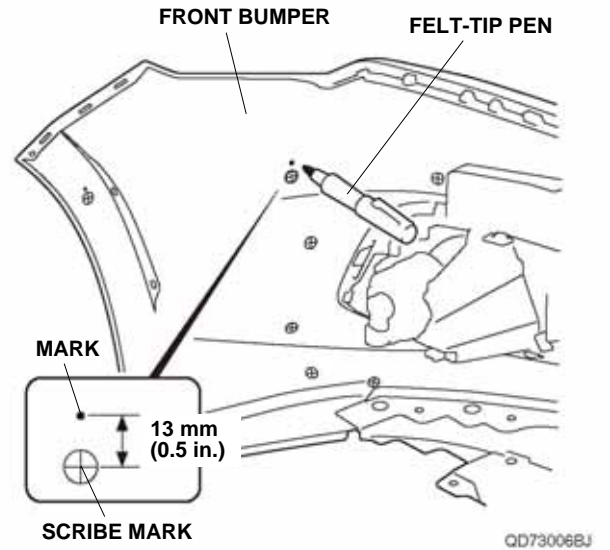


11. Using a pushpin, pierce the center of one mark on the template.

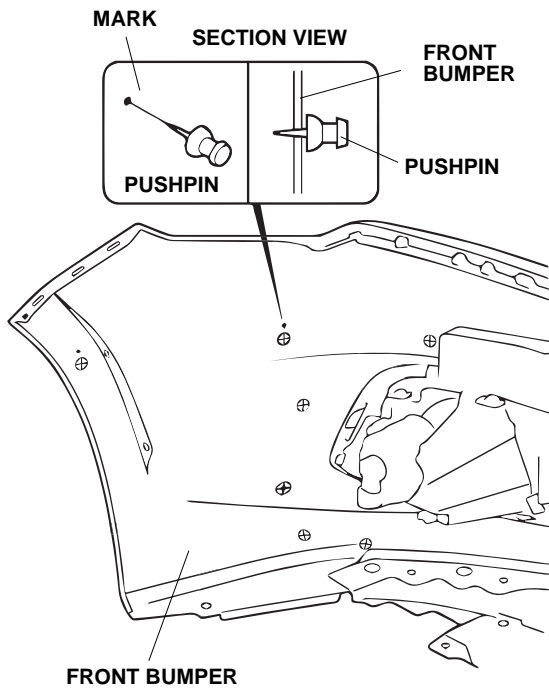


12. Remove the template.

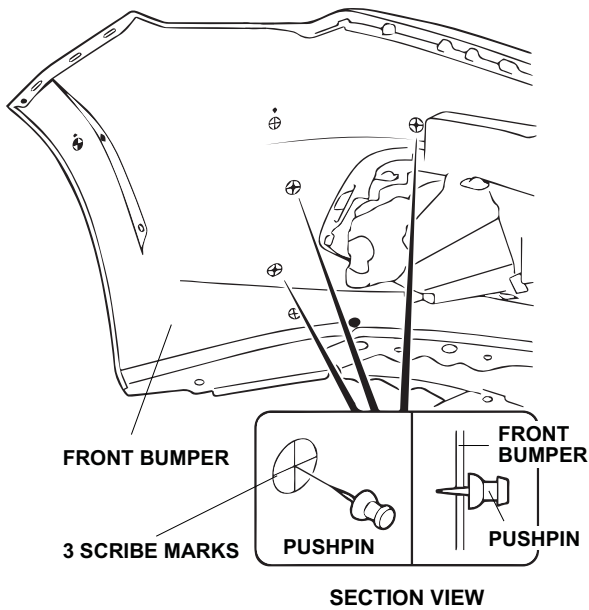
13. Using a felt-tip pen, mark the front bumper as shown.



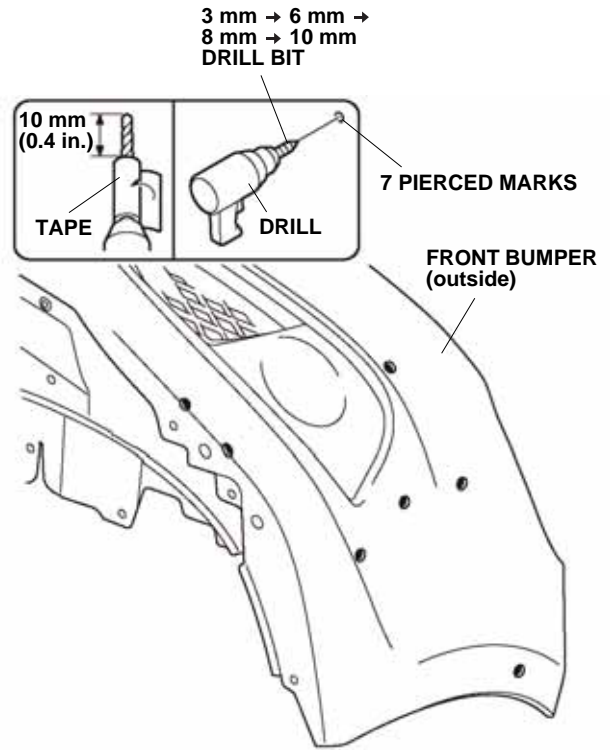
14. Using a pushpin, pierce the center of the mark made in step 13 on the front bumper.



15. Using a pushpin, pierce the centers of the three scribe marks on the front bumper.

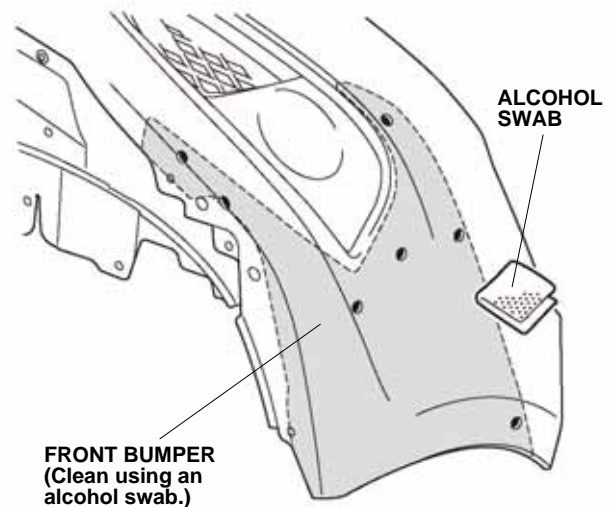


16. While wearing eye protection, drill seven pierced marks to 10 mm.
- Wrap tape around each drill bit 10 mm (0.4 in.) away from the tip or use a drill stop.
  - First drill with a 3 mm drill bit, and then with a 6 mm drill bit, with an 8 mm drill bit, and finish with a 10 mm drill bit.



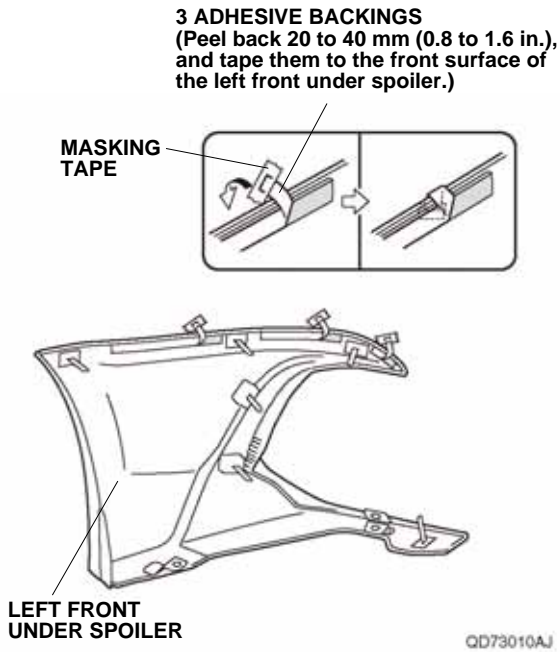
QD73008BJ

17. Using a file, remove any burrs from the holes.
18. Using an alcohol swab, thoroughly clean the area where the left front under spoiler will attach.

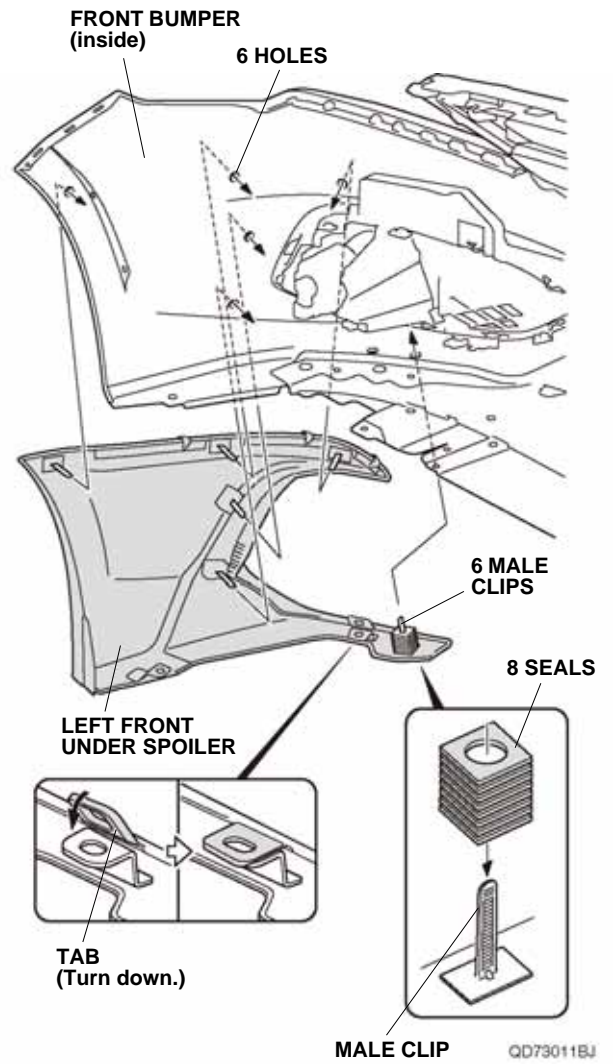


QD73009BJ

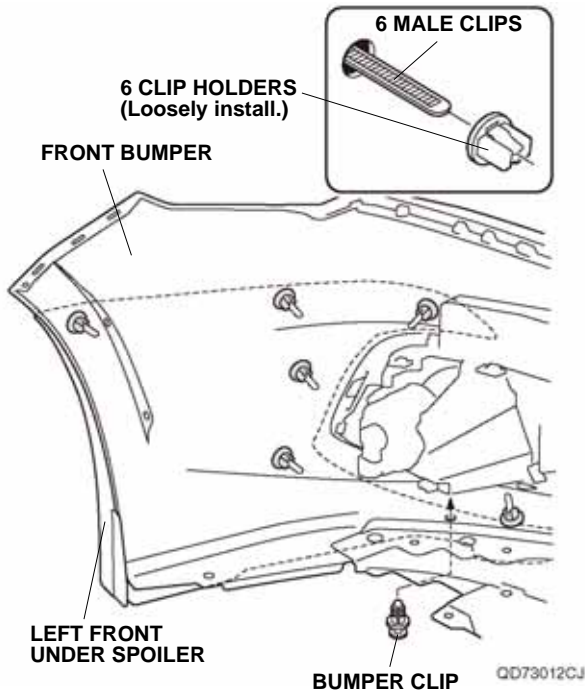
19. Peel back about 20 to 40 mm (0.8 to 1.6 in.) of adhesive backing from each adhesive strip, and tape the ends to the front surface of the left front under spoiler.



20. Install the left front under spoiler to the front bumper as shown.

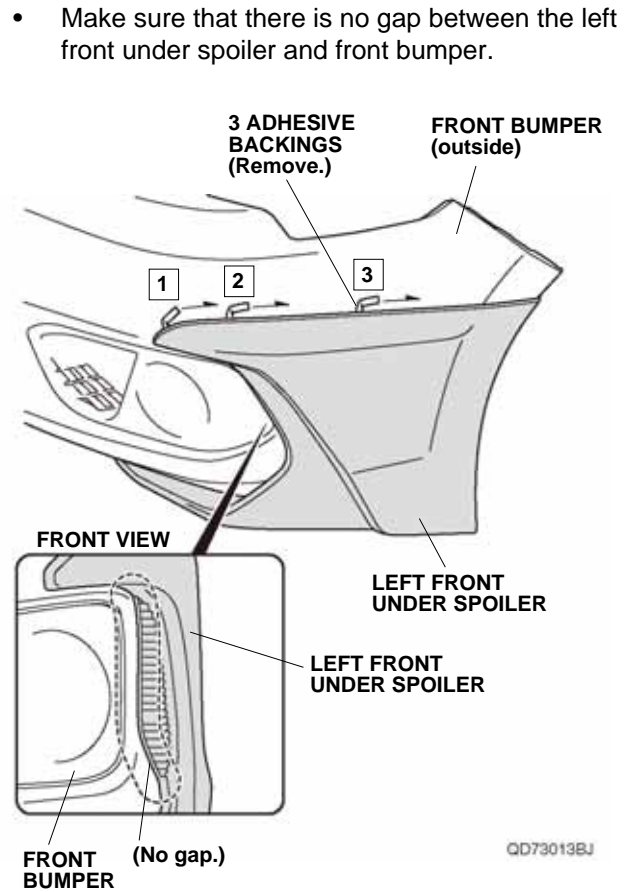


21. Loosely install one clip holder onto each male clip on the left front under spoiler. Do not tighten the clip holders at this time.



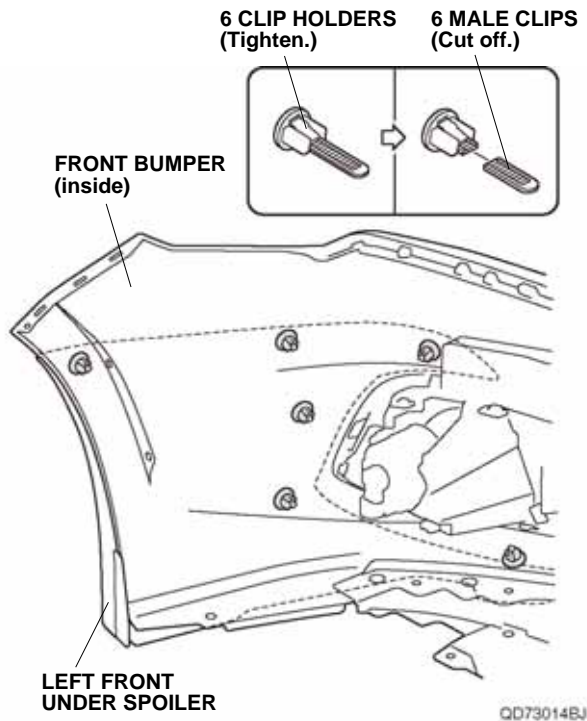
22. Secure the left front under spoiler to the front bumper with one bumper clip.

23. Remove the three adhesive backings as shown. Press the left front under spoiler firmly against the front bumper with the palms of your hands to adhere the left front under spoiler.



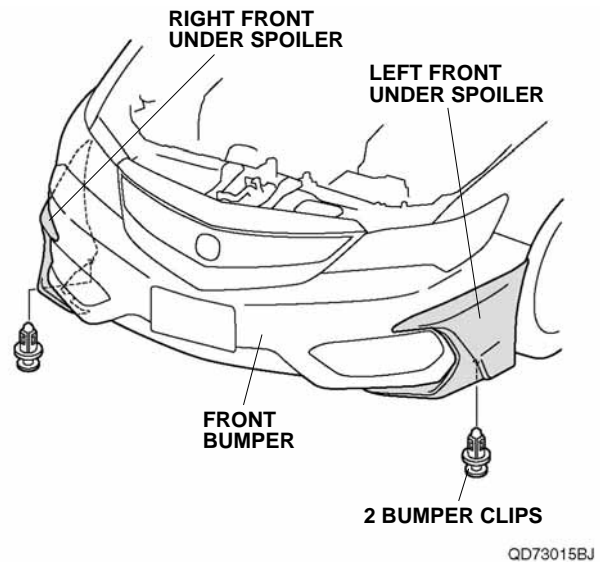


24. Tighten six clip holders loosely installed in step 21.  
NOTE: Do not push the clip holders too tightly, or they may deform the left front under spoiler. Readjust the clip holders, if necessary.

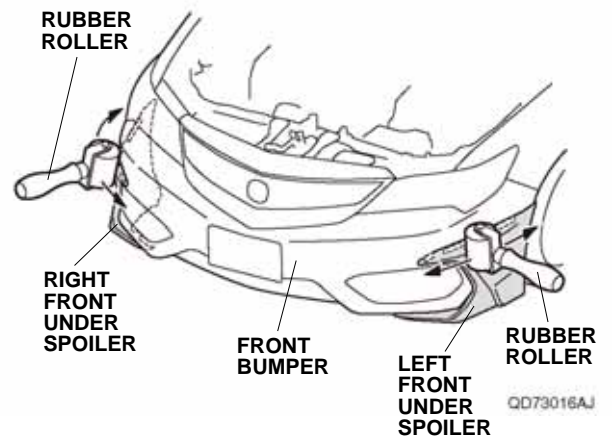


25. Using diagonal cutters, cut the excess off of each male clip.  
26. Flip the templates and repeat steps 7 through 25 to install the right front under spoiler.

27. With the help of an assistant, reinstall the front bumper.



28. Secure the left and right front under spoilers to the front bumper with two bumper clips.  
29. Using a rubber roller, apply firm pressure while rolling to set the adhesive. Apply firm pressure especially at the ends.



30. Reinstall all removed parts.  
31. Reconnect the negative cable to the battery.  
32. Press and hold the radio power button for two seconds to restore radio and navi (if equipped) system functions.  
33. Reset the clock.

## USE AND CARE

- A portion of the front under spoiler is finished with a textured surface. Waxes or similar chemicals will clog the surface.
- Use wax remover when the surface becomes clogged.

