



INSTALLATION INSTRUCTIONS

Accessory
DOOR LOWER TRIM
P/N 08F57-TX6-200

Application
2018 ILX

Publications No.
VERSION 1
Issue Date
SEP 2017

PARTS LIST

Left front door lower trim



Right front door lower trim



Left rear door lower trim



Right rear door lower trim



4 Alcohol swabs



TOOLS AND SUPPLIES REQUIRED

Masking tape

Ruler

The following tool is available through the Acura Tool and Equipment Program. On the iN, click on Service > Service Bay > Tool and Equipment Program, then enter the number under "Search." Or, call 888-424-6857.

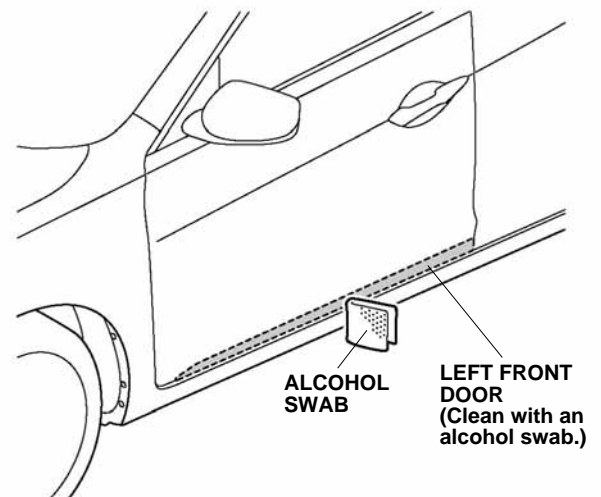
- Rubber Roller (T/N MHLE54D)

INSTALLATION

NOTE:

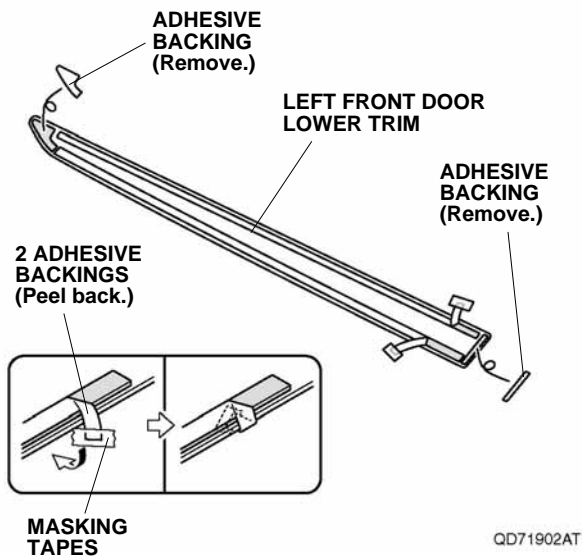
- If you are also installing door edge film (sold separately), install them after you install the door lower trim.
- These instructions show the left door lower trim being installed. The same procedure applies to installing the right door lower trim.
- Be careful not to damage the paint finish.
- This door lower trim kit should be installed only if the ambient air temperature is 15°C (60°F) or above.
- To allow the adhesive to cure, advise the client not to wash the vehicle for 24 hours.

1. Using an alcohol swab, thoroughly clean the area where the left front door lower trim will attach.

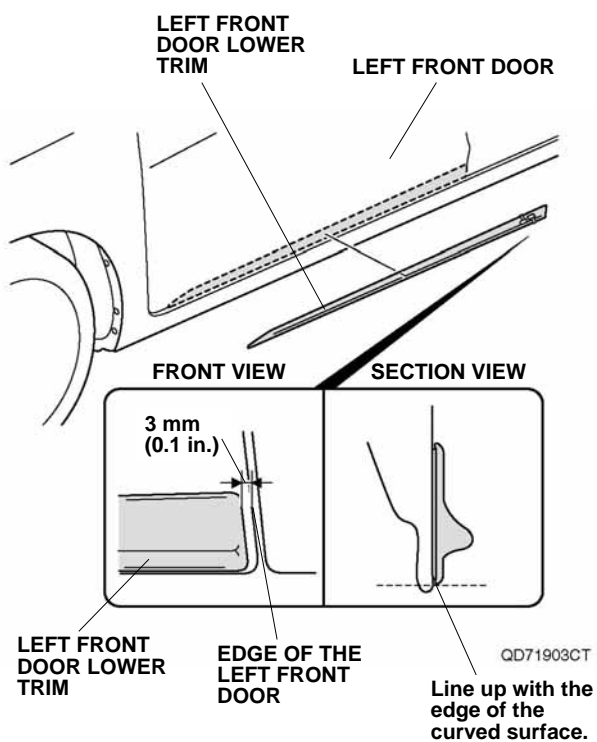


QD71901BT

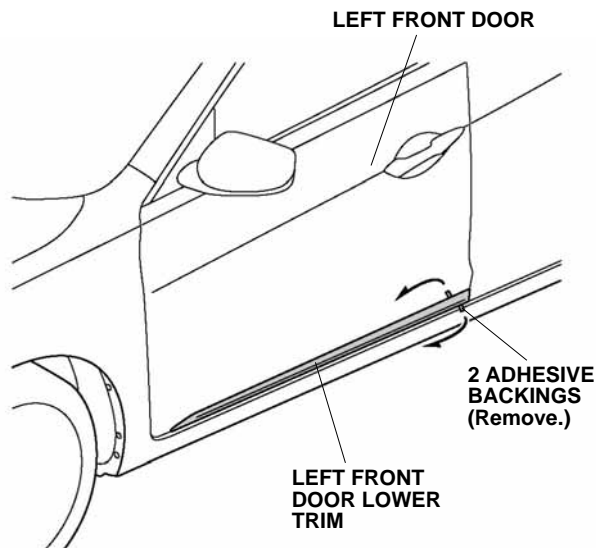
- Peel back the ends of two adhesive backings on the left front door lower trim and attach them to the front of the trim with masking tape.



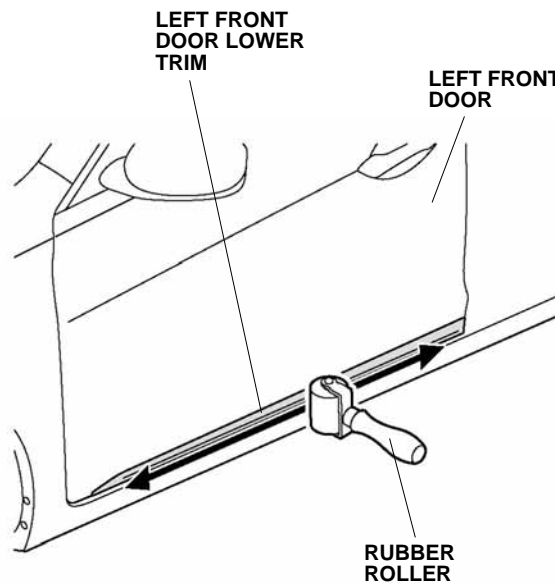
- Remove the two adhesive backings.
- Line up the left front door lower trim as shown.



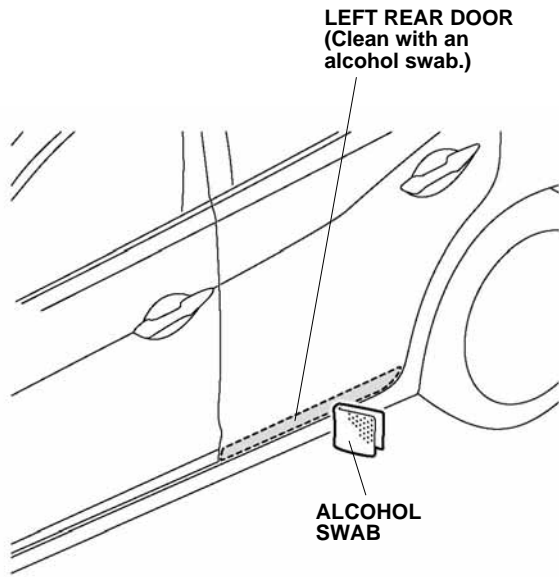
- While applying light pressure to the front door lower trim, carefully remove the two adhesive backings. Using the palm of your hand, firmly press the left front door lower trim onto the left front door.



- Using a rubber roller, apply firm pressure, especially at the ends to set the adhesive.

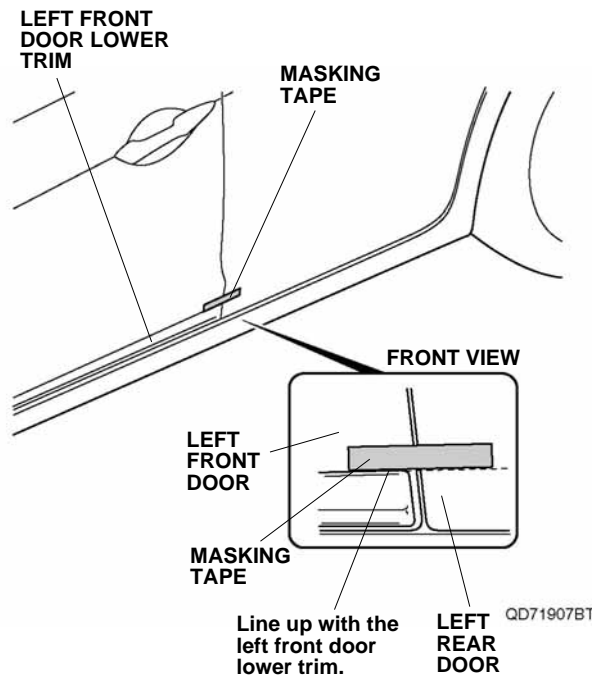


- Using an alcohol swab, thoroughly clean the area where the left rear door lower trim will attach.



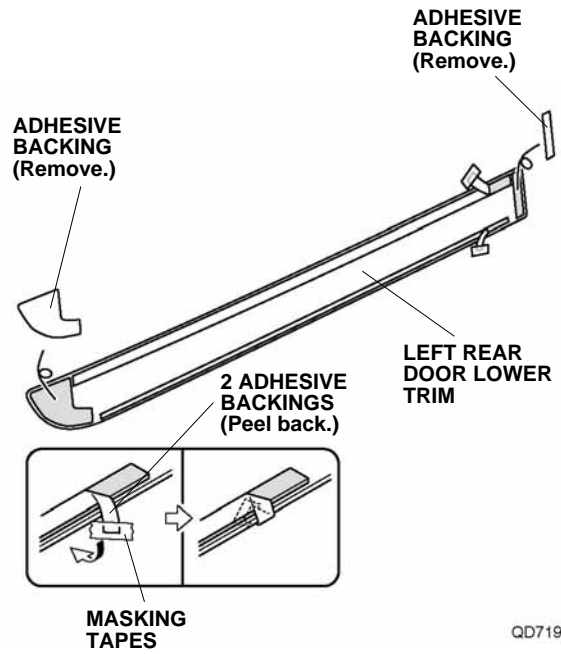
QD71906AT

- Line up and attach a masking tape to the upper edge of the left front door lower trim as shown.



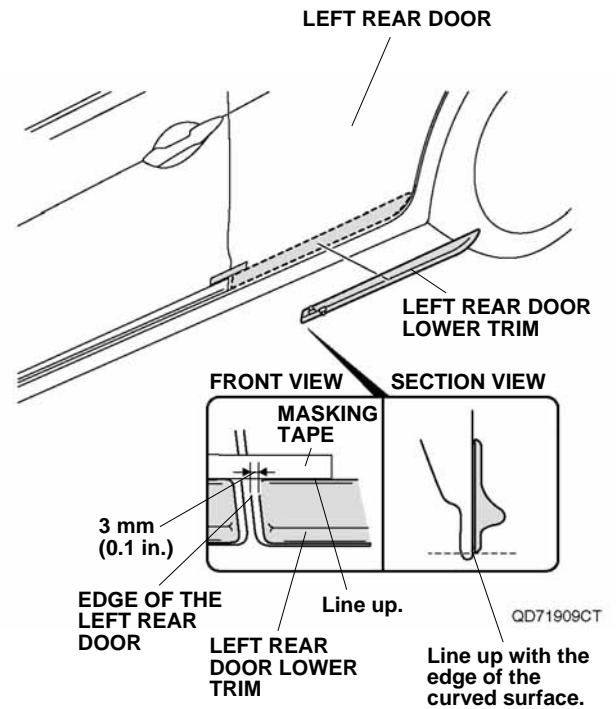
QD71907BT

- Peel back the ends of two adhesive backings on the left rear door lower trim and attach them to the front of the trim with masking tape.



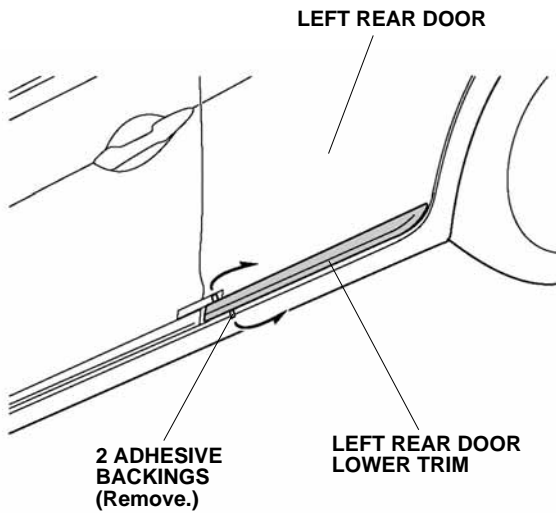
QD71908AT

- Remove the two adhesive backings.
- Line up the left rear door lower trim as shown.



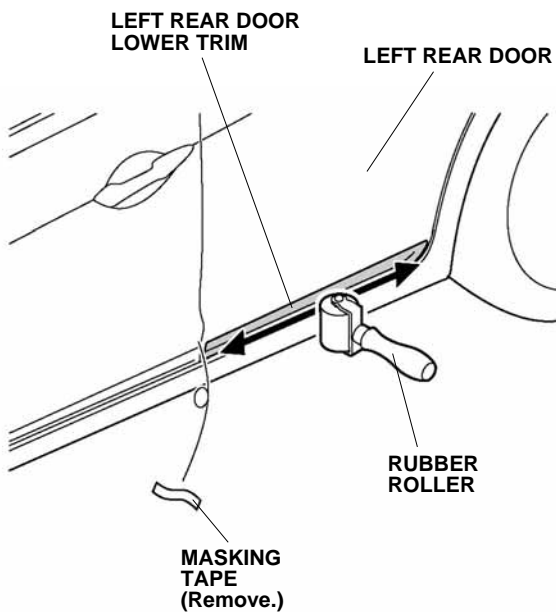
QD71909CT

12. While applying light pressure to the rear door lower trim, carefully remove the two adhesive backings. Using the palm of your hand, firmly press the left rear door lower trim onto the left rear door.



QD71910BT

13. Using a rubber roller, apply firm pressure, especially at the ends to set the adhesive.



QD71911BT

14. Remove the masking tape.
15. Repeat steps 1 through 14 to install the right door lower trims on the right side of the vehicle.