



# INSTALLATION INSTRUCTIONS

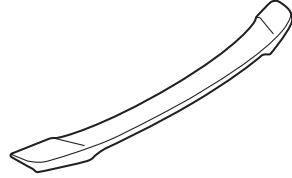
Accessory  
**DECK LID SPOILER**

Application  
**2018 ILX**

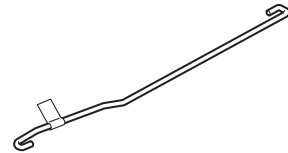
Publications No.  
**VERSION 1**  
Issue Date  
**SEP 2017**

## PARTS LIST

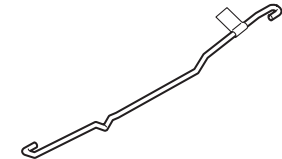
Trunk spoiler



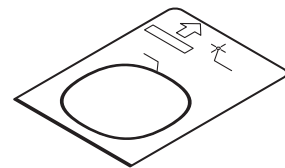
Left trunk spring (marked yellow)



Right trunk spring (marked red)



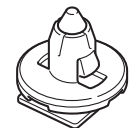
Template A



Template B



2 Clips



2 Seals A (2.5 mm)



Seal B



Nut



## TOOLS AND SUPPLIES REQUIRED

Phillips screwdriver

Flat-tip screwdriver

Drill

Eye protection (face shield, safety goggles, etc.)

Center punch

File

Touch-up paint

Felt-tip pen

Isopropyl alcohol

Shop towel

Ruler

Tape

Masking tape

Heavy gloves

High-quality paste wax

Torque wrench

10 mm Socket

*The following tools are available through the Acura Tool and Equipment Program. On the iN, click on Service > Service Bay > Tool and Equipment Program, then enter the number under "Search." Or, call 888-424-6857.*

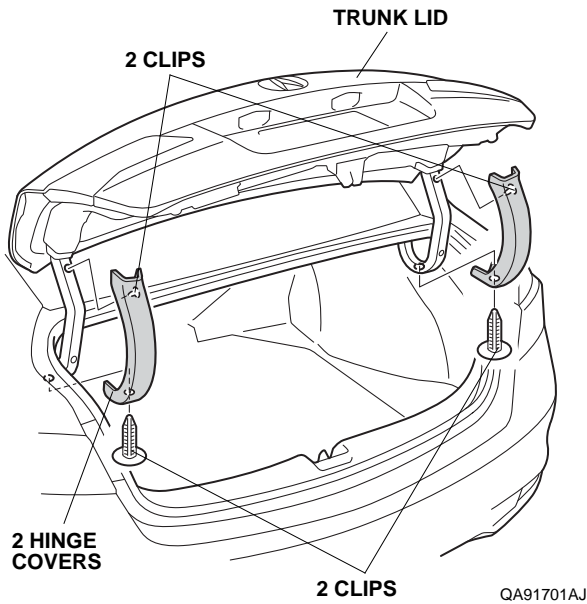
- Trim Tool Set (T/N SOJATP2014)
- Rubber Roller (T/N MHLE54D)
- Trunk Spring Tool (T/N 07AAF-SNAA100)
- Rotabroach Hole Cutting Kit (T/N BLR11201SO)

## INSTALLATION

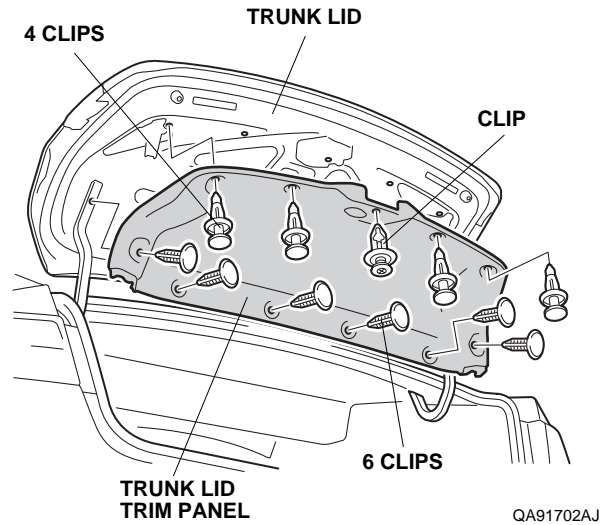
**Client Information:** The information in this installation instruction is intended for use only by skilled technicians who have the proper tools, equipment, and training to correctly and safely add equipment to your vehicle. These procedures should not be attempted by “do-it-yourselfers.”

### NOTE:

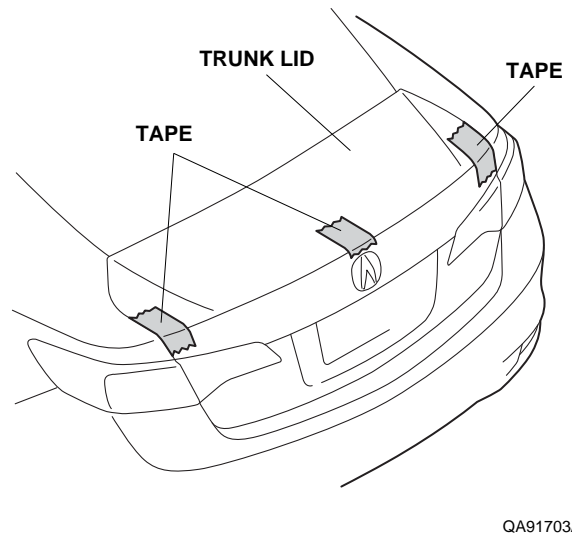
- Be careful not to damage the paint finish.
  - This deck lid spoiler kit should be installed only if the ambient air temperature is 15°C (60°F) or above.
  - Clean and wax the areas to be covered with a high-quality paste wax.
  - To allow the adhesive to cure, do not wash the vehicle for 24 hours. Please advise the client.
1. Open the trunk lid. Remove each trunk lid hinge cover.



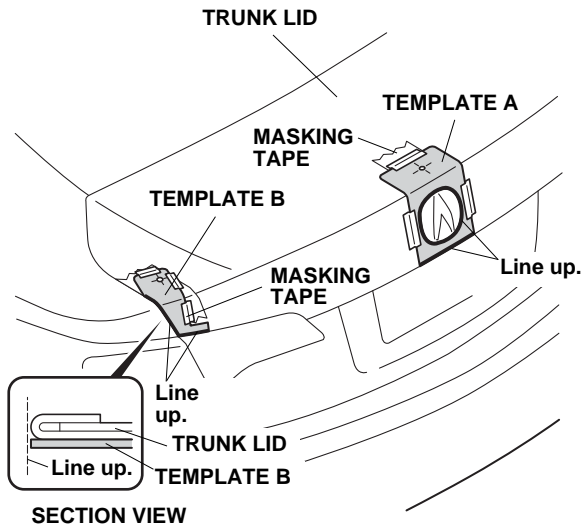
2. Remove the trunk lid trim panel.



3. Close the trunk lid. Attach the strips of tape to the trunk lid as shown.

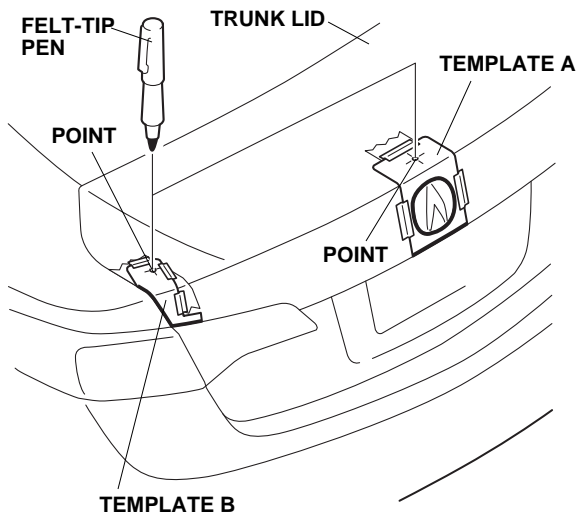


- Line up the templates A and B to the trunk lid as shown, and attach them with masking tape.



QA91704BJ

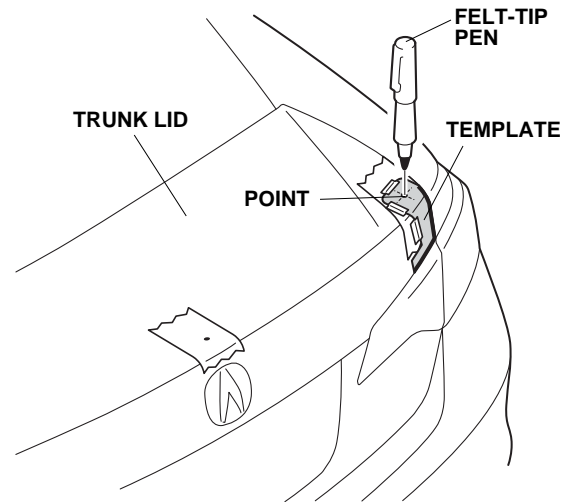
- Using a felt-tip pen, mark two points through the templates A and B as shown.



QA91705BJ

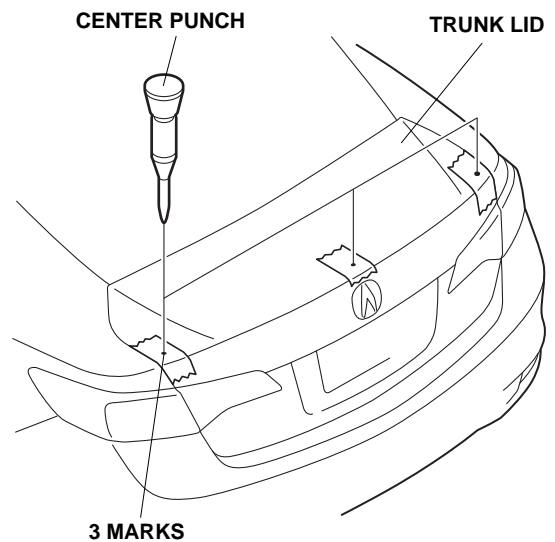
- Remove the templates A and B.
- Turn template B over, and repeat step 4 on the right side of the trunk lid.

- Using a felt-tip pen, mark one point through template B as shown.



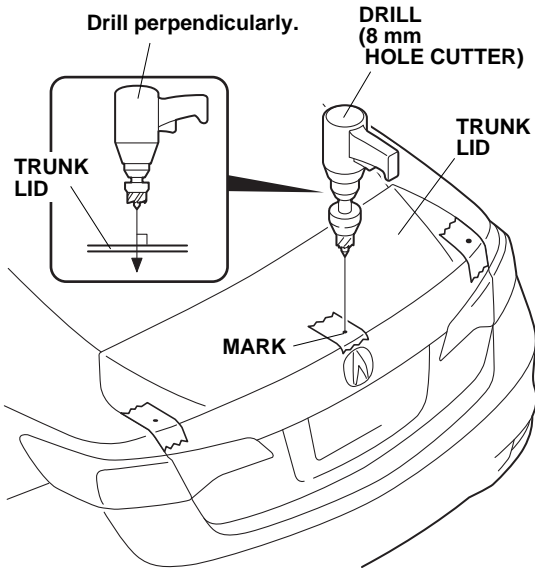
QA91706BJ

- Remove template B.
- Using a center punch, punch the centers of three marks. Set the center punch to the minimum power setting.



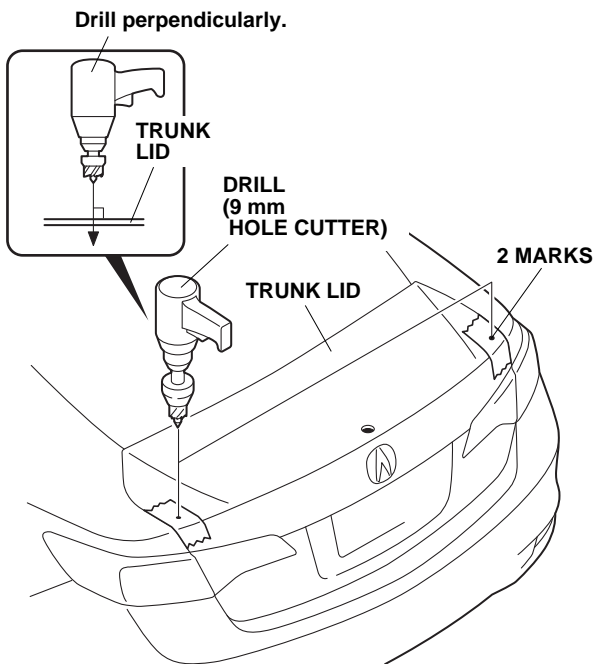
QA91707AJ

11. While wearing eye protection, drill an 8 mm hole at the mark with an 8 mm hole cutter. Drill perpendicular to the trunk lid.



QA91708BJ

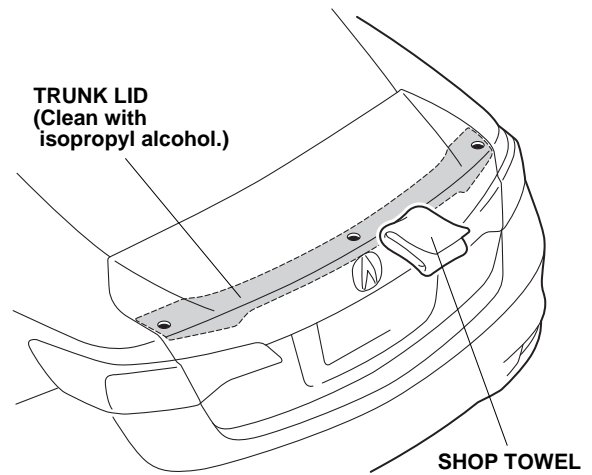
12. While wearing eye protection, drill two 9 mm holes at the marks with a 9 mm hole cutter. Drill perpendicular to the trunk lid.



QA91709BJ

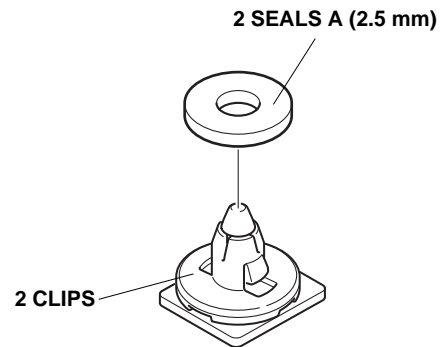
13. Remove the tape installed in step 3. Remove all burrs and metal shavings with a file, and apply touch-up paint to the edges of the holes.

14. Using isopropyl alcohol on a shop towel, thoroughly clean the area where the trunk spoiler will attach.



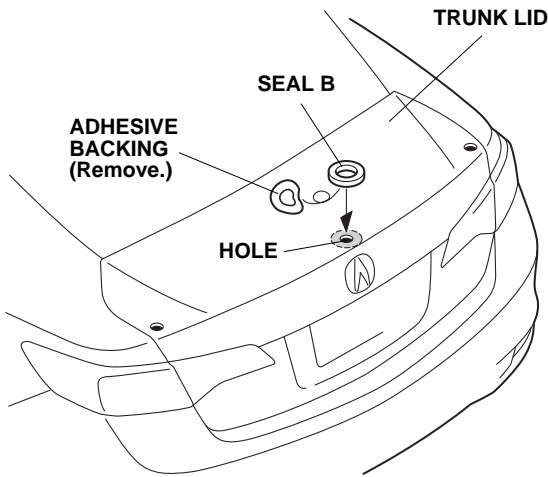
QA91710AJ

15. Install two seals A (2.5 mm) to two clips.



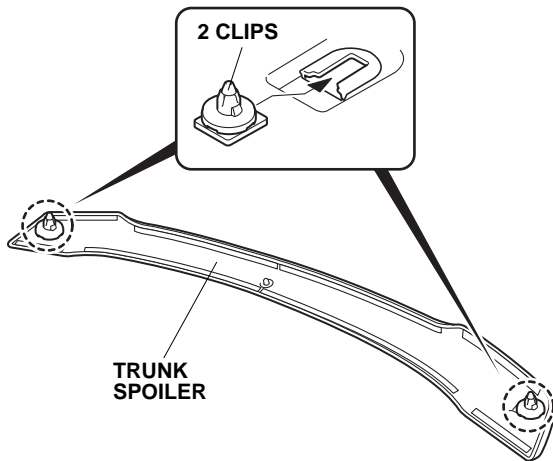
QB20501AJ

16. Remove the adhesive backing, and attach seal B around the hole in the center of the trunk lid.



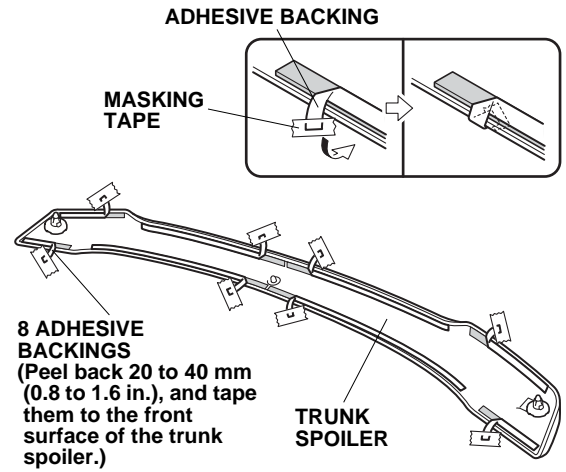
QA91712BJ

17. Install two clips to the trunk spoiler.



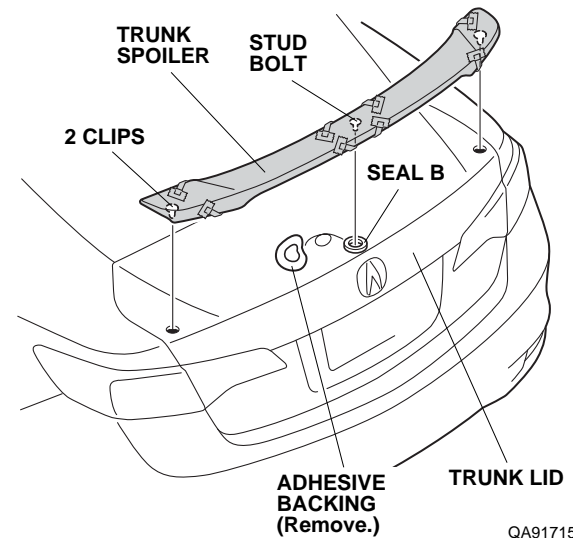
QA91713BJ

18. Peel back about 20 to 40 mm (0.8 to 1.6 in.) of adhesive backing from each adhesive strip, and tape the ends to the front surface of the trunk spoiler.



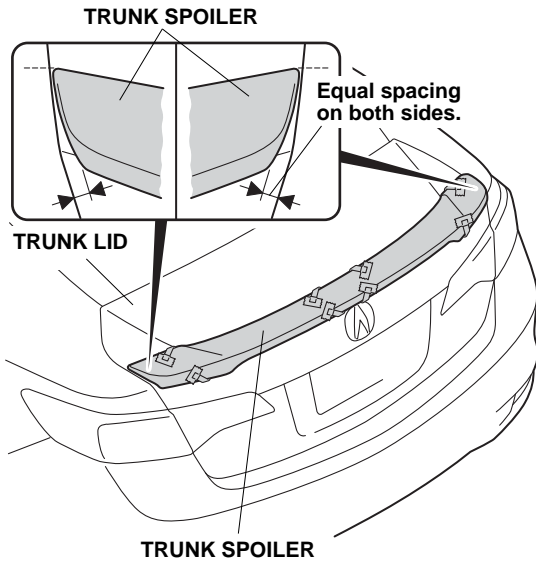
QA91714BJ

19. Remove the adhesive backing from seal B. Line up two clips and the stud bolt with the holes in the trunk lid, and install the spoiler. Apply pressure to the trunk spoiler over each clip until you hear a click. Do not apply excessive pressure.



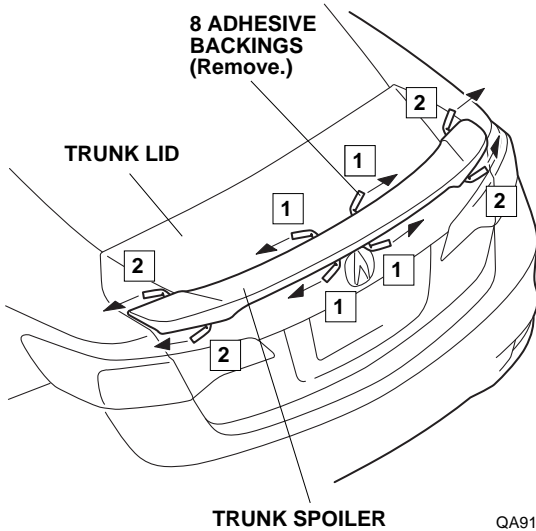
QA91715BJ

20. Adjust the position of the trunk spoiler so there is equal spacing on both sides.



QA91716AJ

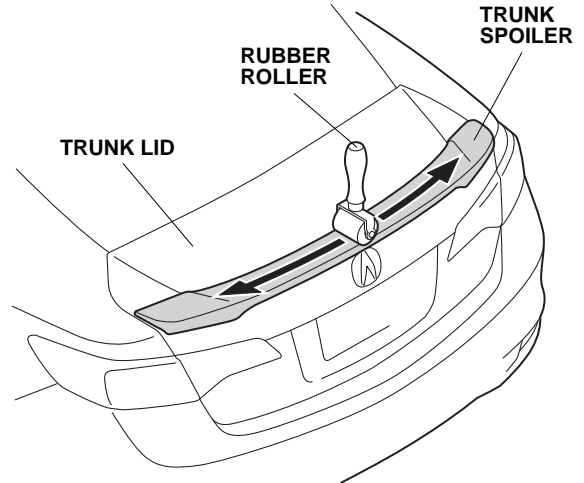
21. While applying light pressure against the trunk spoiler, carefully remove the adhesive backings as shown.



QA91717AJ

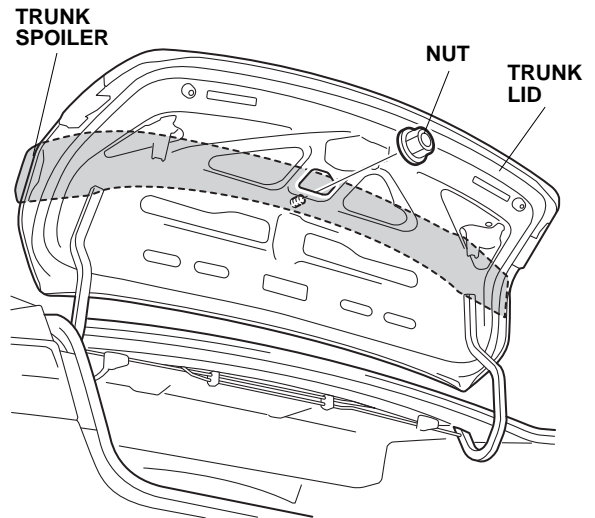
22. Using your hand, firmly press the trunk spoiler against the trunk lid.

23. Using a rubber roller, apply firm pressure, especially at the ends, to set the adhesive.



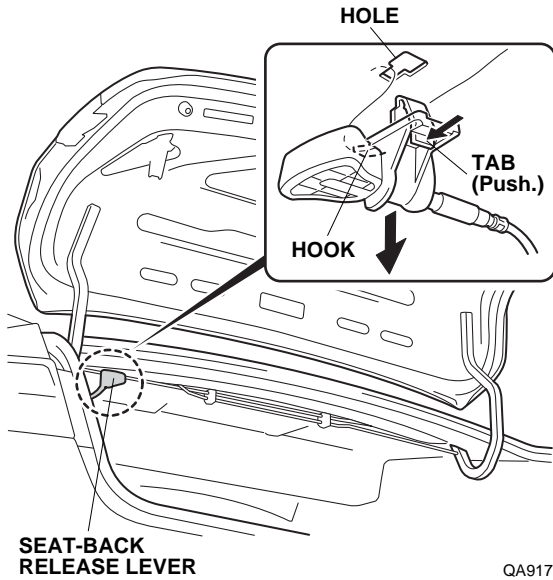
QA91718AJ

24. Open the trunk lid. Using the nut, secure the trunk spoiler on the trunk lid. Torque the nut to 10.0 N·m (7.4 lb-ft).

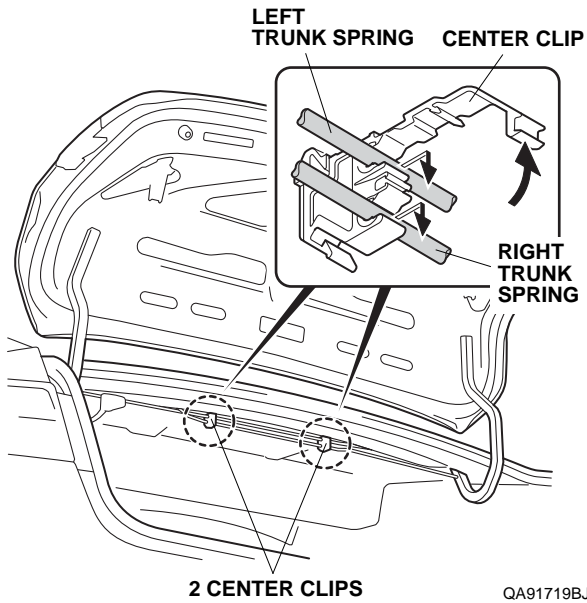


QA91724BJ

25. Push the tab, and pull down the seat-back release lever to release the hook. Move the seat-back release lever out of your way.

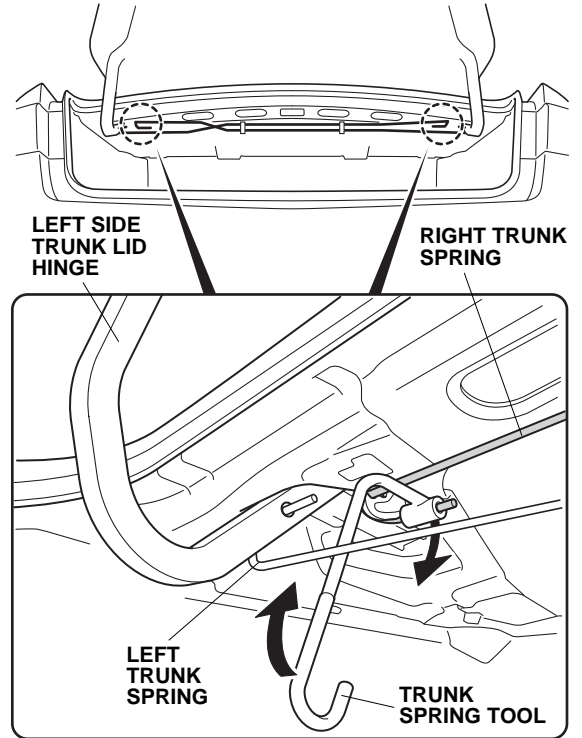


26. Remove two center clips from the left and right trunk springs.

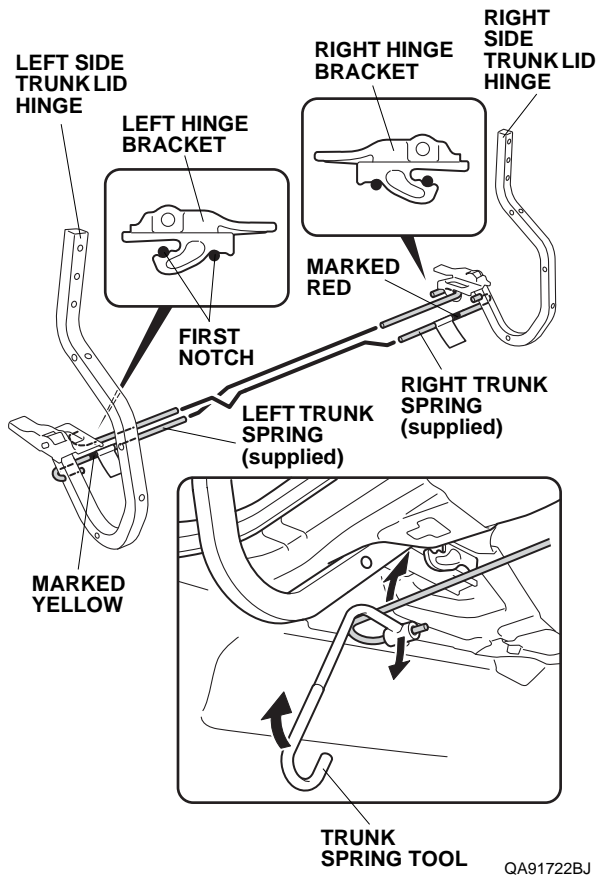


27. Put on heavy gloves to protect your hands. Remove the trunk springs from both trunk lid hinges with the trunk spring tool. Pull the trunk spring tool slowly and carefully toward you. First remove the right trunk spring, then remove the left trunk spring.

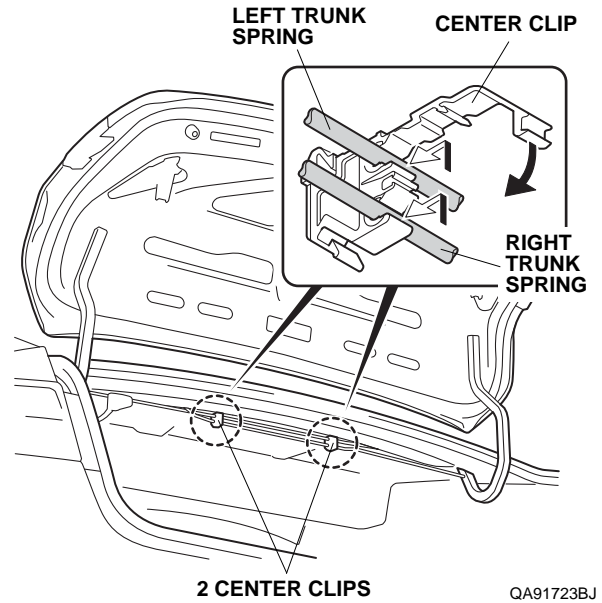
**NOTICE:** The trunk lid may fall by its own weight when the trunk springs are removed, and can cause injury. When installing and removing the trunk springs, have an assistant hold the trunk lid open, or secure it open with a block, etc.



28. Install the new right and left trunk springs in the reverse order of removal:
- Install the yellow marked trunk spring in the slot in the left side (driver's side) trunk lid hinge and to the right (passenger's side) hinge bracket; install the red marked trunk spring in the slot in the right side (passenger's side) trunk lid hinge and to the left (driver's side) hinge bracket.
  - Rotate the trunk spring tool as you pull it towards you.
  - Set the trunk springs in the first notch (original position) of the hinge brackets.



29. Reinstall the center clips onto the trunk springs.



30. Reinstall all removed parts.