

**INSTALLATION  
INSTRUCTIONS**

Accessory  
**SIDE UNDER SPOILERS**  
P/N 08F04-TZ3-200

Application  
**2017 TLX**

Publications No.  
**VERSION 1**  
Issue Date  
**MAY 2016**

**PARTS LIST**

Right spoiler



Left spoiler



4 Rails



2 Self-tapping screws



6 Bracket screws



6 Clamps



6 Screws



6 Washer-nuts



2 Brackets



Template A



Template B



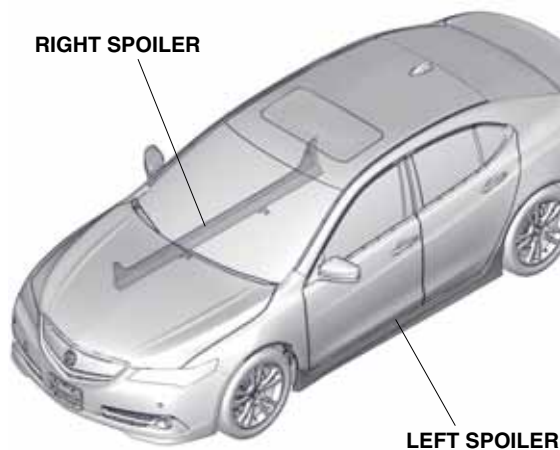
## TOOL AND SUPPLIES REQUIRED

Phillips screwdriver  
Masking tape  
Scissors  
Ruler  
Soap  
10 mm Open end wrench  
Felt-tip pen  
Utility knife  
Touch-up paint  
Tape measure  
Isopropyl alcohol  
Shop towel

*The following tool is available through the Acura Tool and Equipment Program. On the iN, click on: Service > Service Bay > Tool and Equipment Program, then enter the number under "Search." Or, call 888-424-6857.*

- Rubber Roller (T/N MHLE54D)

### **Illustration of the Side Under Spoilers on the Vehicle**



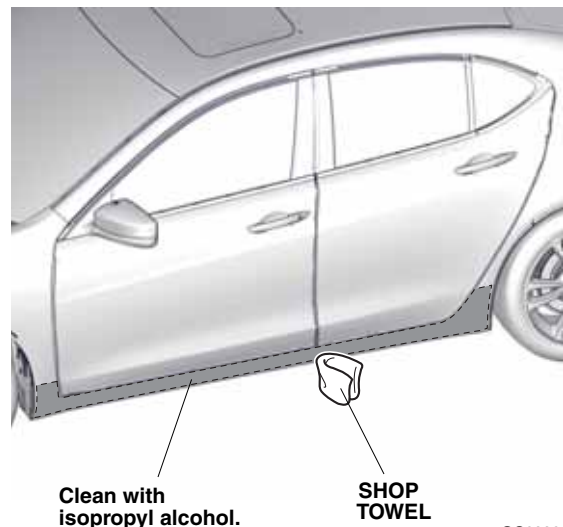
QC02901AG

## INSTALLATION

**Client Information:** The information in this installation instruction is intended for use only by skilled technicians who have the proper tools, equipment, and training to correctly and safely add equipment to your vehicle. These procedures should not be attempted by "do-it-yourselfers."

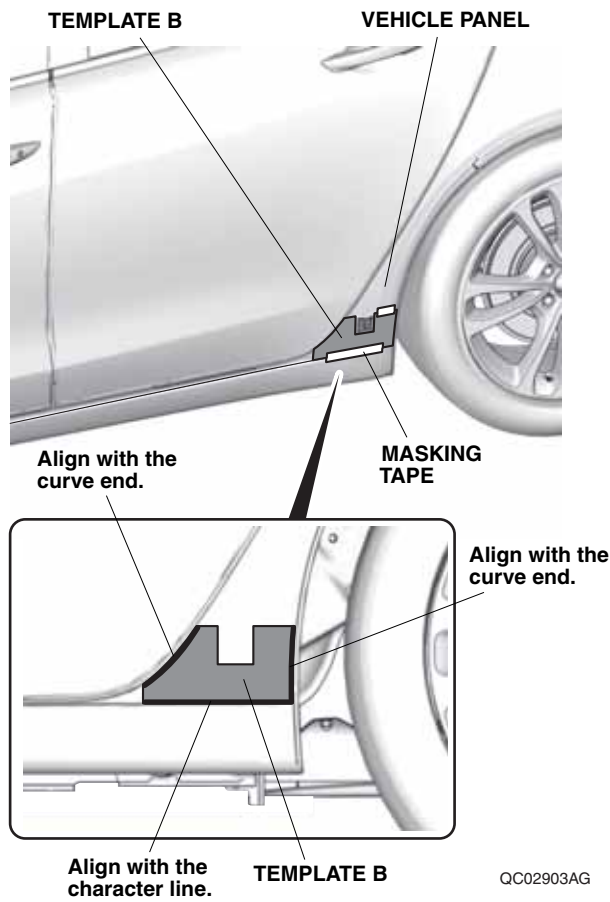
### NOTE:

- If the vehicle has front splash guards installed, remove them before installing the side under spoilers.
  - If you are also installing lower chrome trim, install them after you install the side under spoilers.
  - Do not damage the paint finish.
  - This kit should be installed only if the ambient air temperature is 15° C (60° F) or above.
  - To allow the adhesive to cure, do not wash the vehicle for 24 hours. Please advise the client.
1. Using isopropyl alcohol on a shop towel, thoroughly clean the body where the left spoiler will attach.

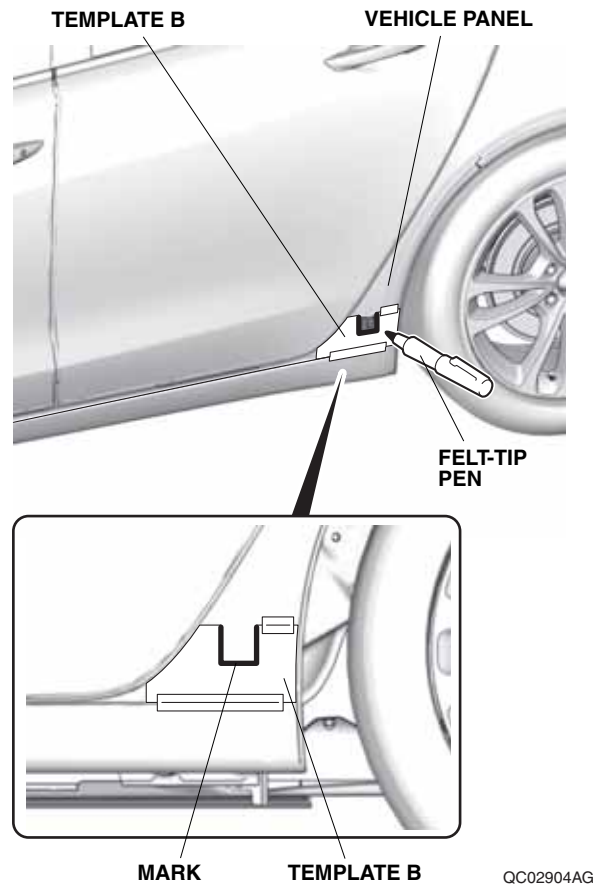


QC02902AG

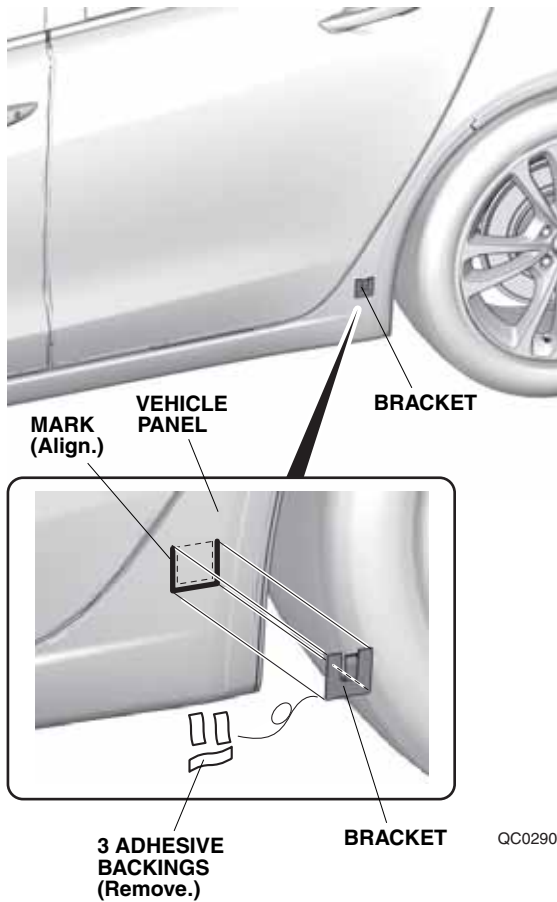
- Place template B on the vehicle panel in the area shown, and attach it with masking tape.



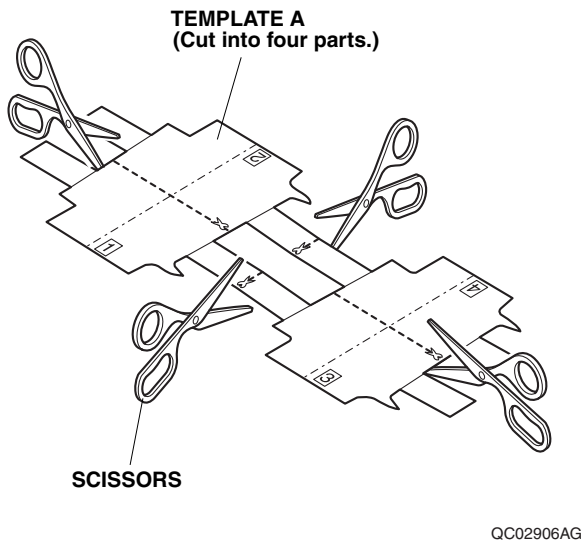
- Using a felt-tip pen, mark the vehicle panel as shown. Remove template B. Be careful not to damage the template. It will be used to mark the right side of the vehicle.



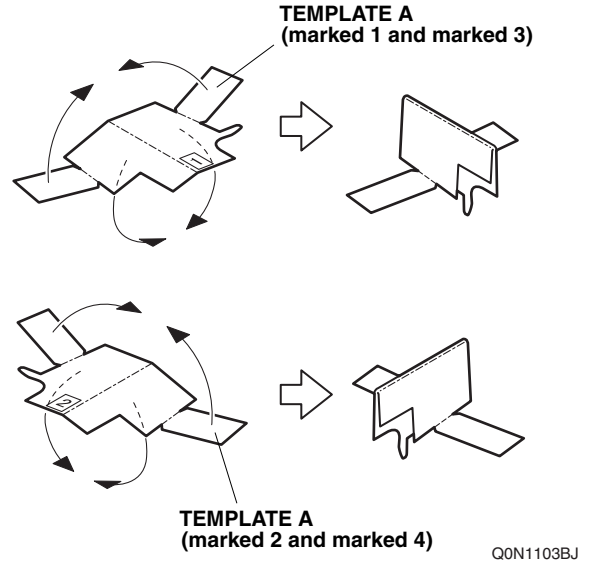
- Remove the three adhesive backings from the bracket.



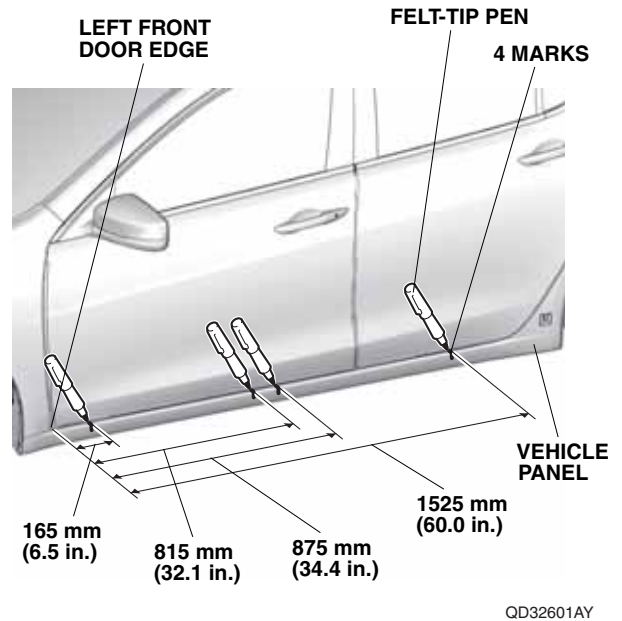
- Align the bracket with the mark made in step 3, and attach it to the vehicle panel. Press and hold the bracket firmly against the vehicle for 30 seconds.
- Using scissors, cut out template A as shown.



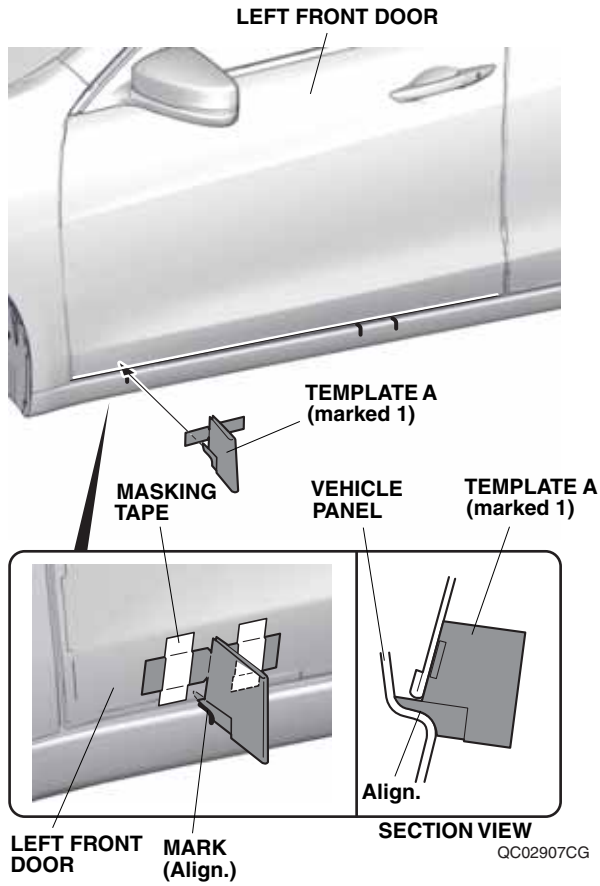
- Fold each part of template A as shown.



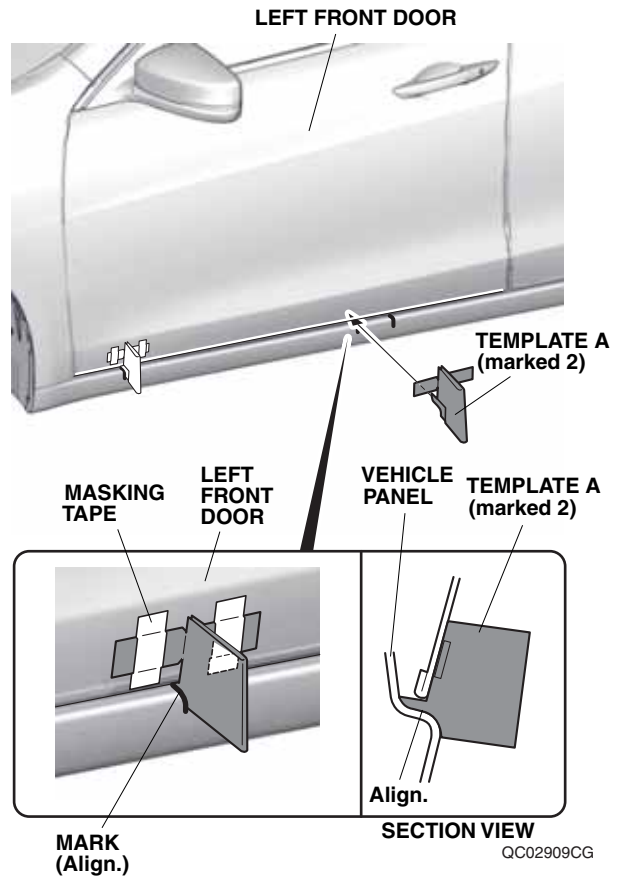
- Using a felt-tip pen, mark the vehicle panel at the measurements shown.



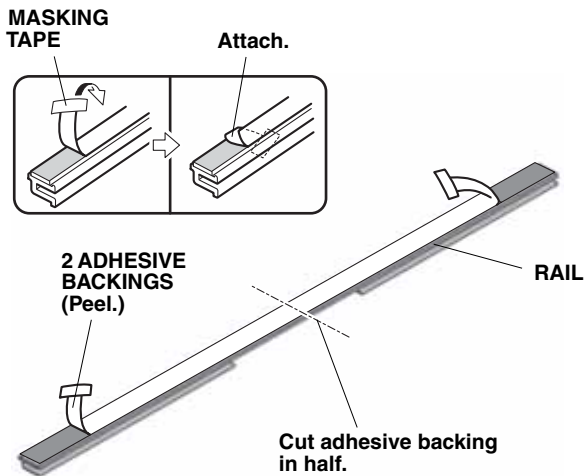
- Place template A (marked 1) into position at the location shown. Align template A with the vehicle panel, lightly push down on the template A, and attach it to the left front door with masking tape. Make sure there is no gap between the template and the vehicle panel.



- Place template A (marked 2) into position at the location shown. Align template A with the vehicle panel, lightly push down on the template A, and attach it to the left front door with masking tape. Make sure there is no gap between the template and the vehicle panel.



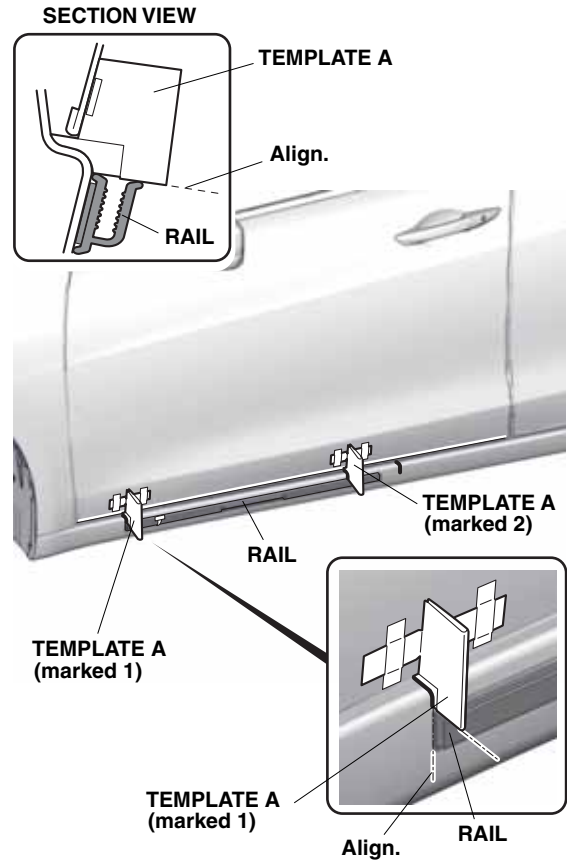
- Using a utility knife, cut the adhesive backing on the rail in half.



QC02910AG

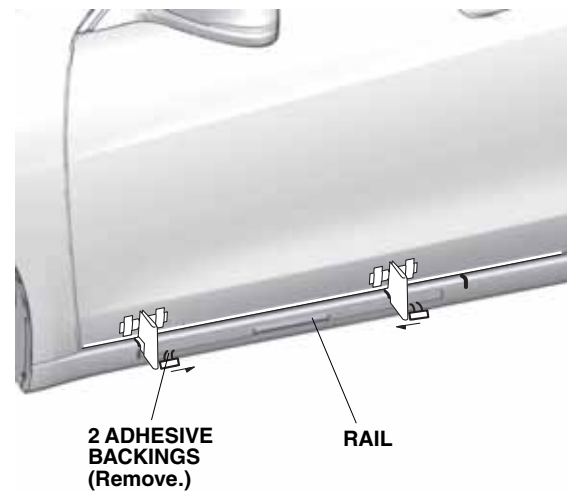
- Attach masking tape to the end of the adhesive backings, and attach them to the front surface of the rail as shown.

- While holding the templates against the vehicle panel, align the rail with the templates as shown. Attach the rail to the vehicle panel.



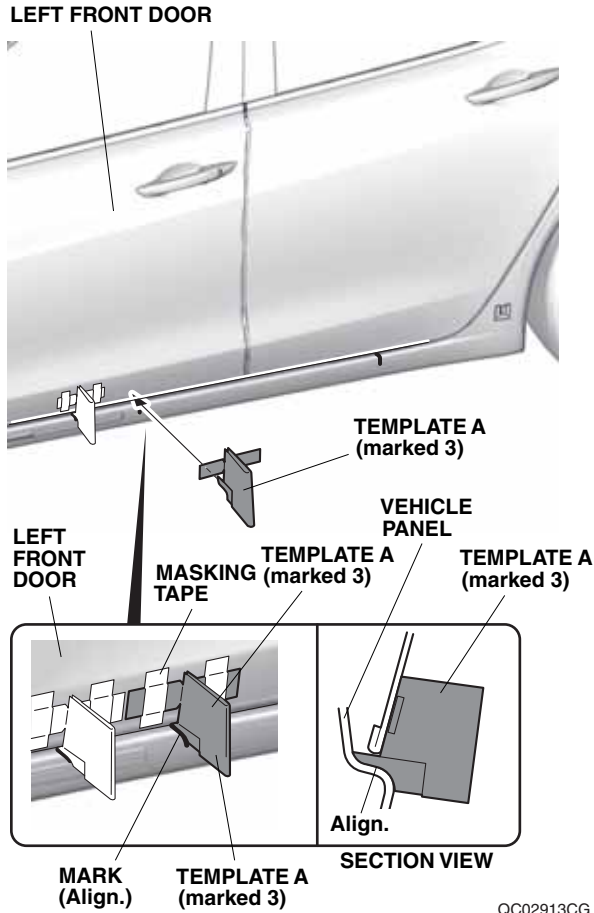
QC02911CG

- Make sure that the rail is aligned with each template, then carefully remove each adhesive backing.

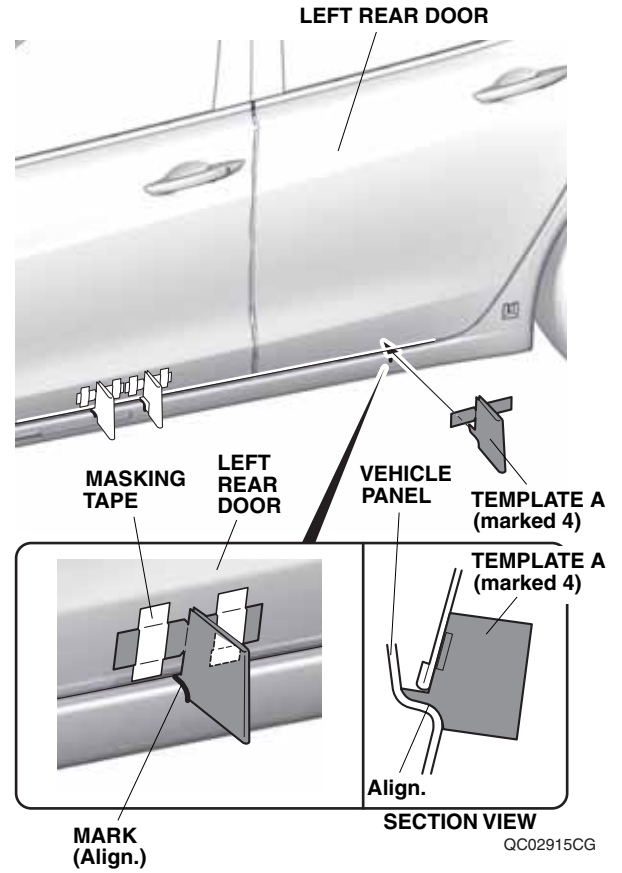


QC02912CG

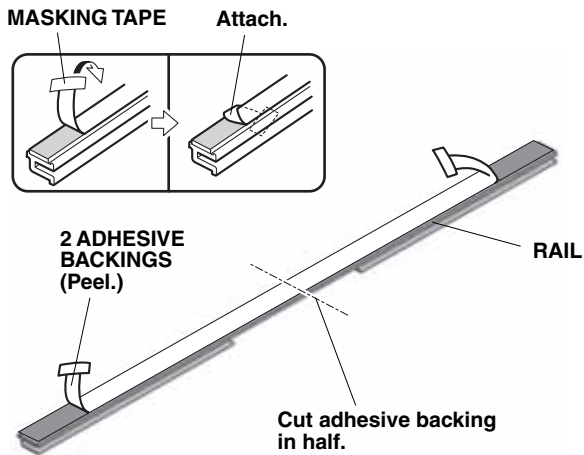
- Place template A (marked 3) into position at the location shown. Align template A with the vehicle panel, lightly push down on the template A, and attach it to the left front door with masking tape. Make sure there is no gap between the template and the vehicle panel.



- Place template A (marked 4) into position at the location shown. Align template A with the vehicle panel, lightly push down on the template A, and attach it to the left rear door with masking tape. Make sure there is no gap between the template and the vehicle panel.

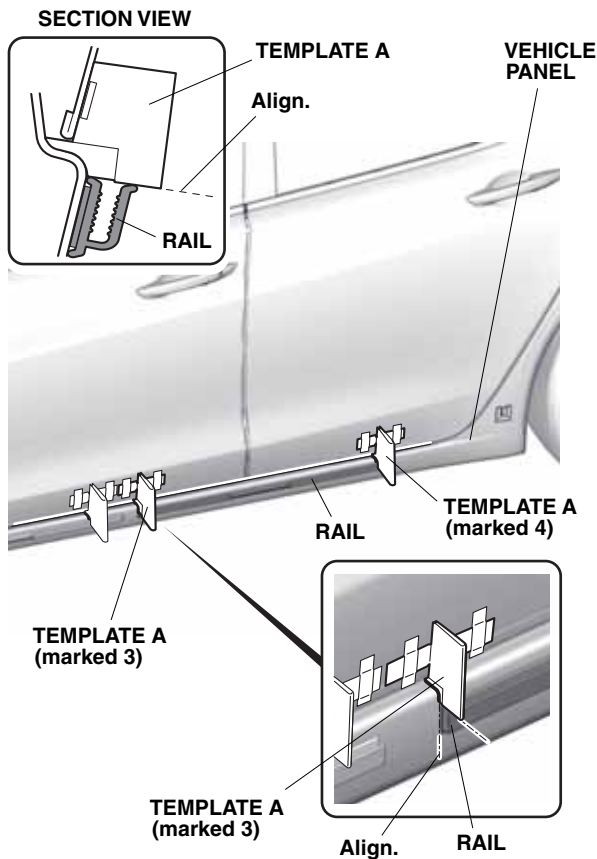


17. Using a utility knife, cut the adhesive backing on the rail in half.



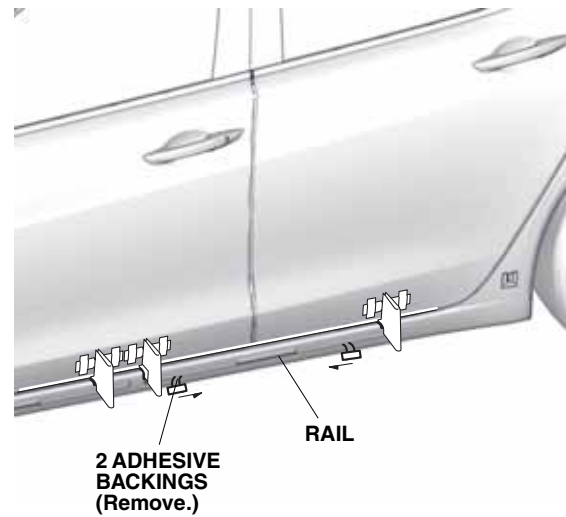
QC02910AG

18. Attach masking tape to the end of the adhesive backings, and attach them to the front surface of the rail as shown.
19. While holding the templates against the vehicle panel, align the rail with the templates as shown. Attach the rail to the vehicle panel.



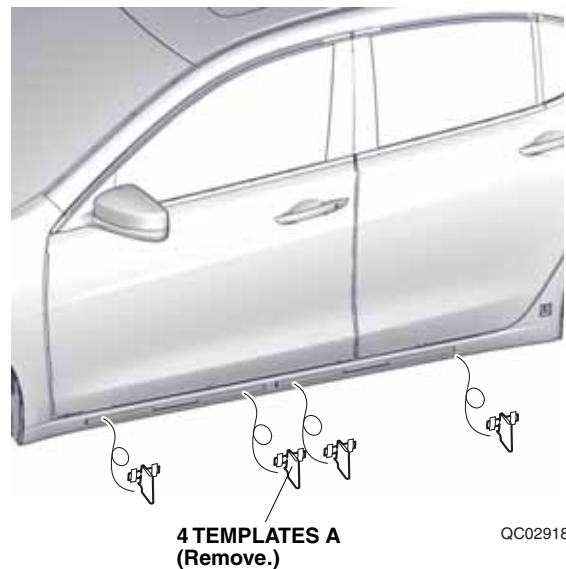
QC02916CG

20. Make sure that the rail is aligned with each template, then carefully remove each adhesive backing.



QC02917CG

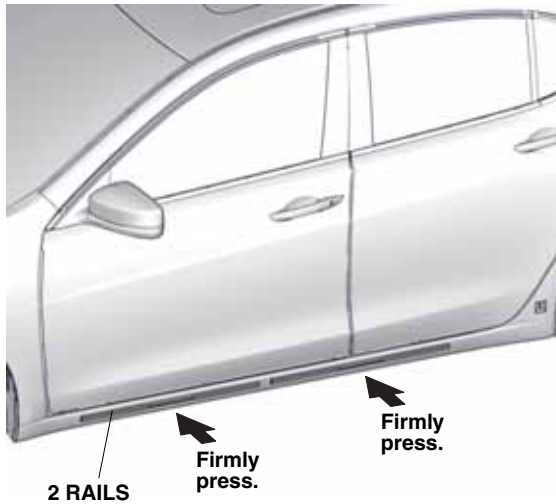
21. Remove all four templates. Be careful not to damage the templates. They will be used to mark the right side of the vehicle.



QC02918BG

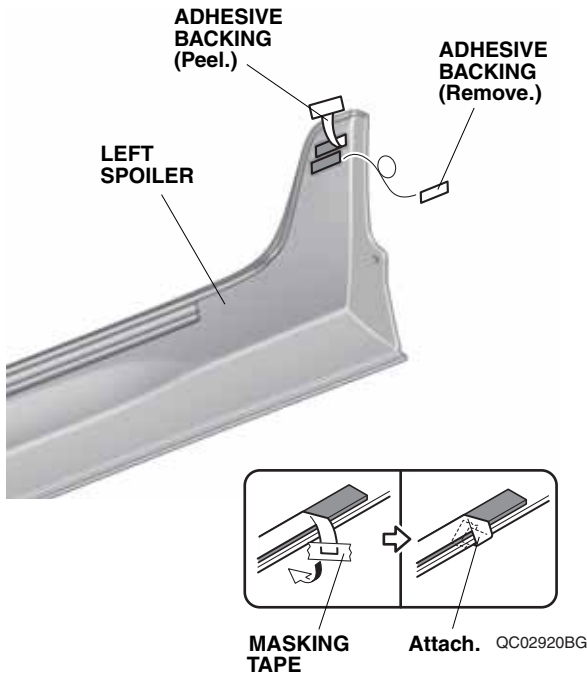


22. Remove the adhesive backings while lightly pressing the rails against the vehicle. Using the palm of your hand, firmly press the rails against the vehicle panel for 30 seconds. Remove the marks you made using isopropyl alcohol on a shop towel.



QC02919BG

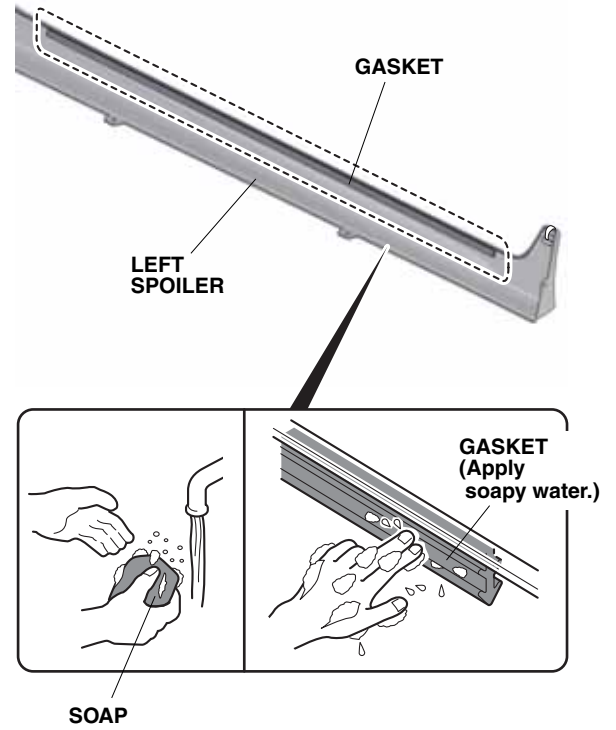
23. Peel back the adhesive backing, and tape it to the front surface of the spoiler with the masking tape. Remove the other adhesive backing.



24. Using your hand, apply soapy water to the gasket on the spoiler.

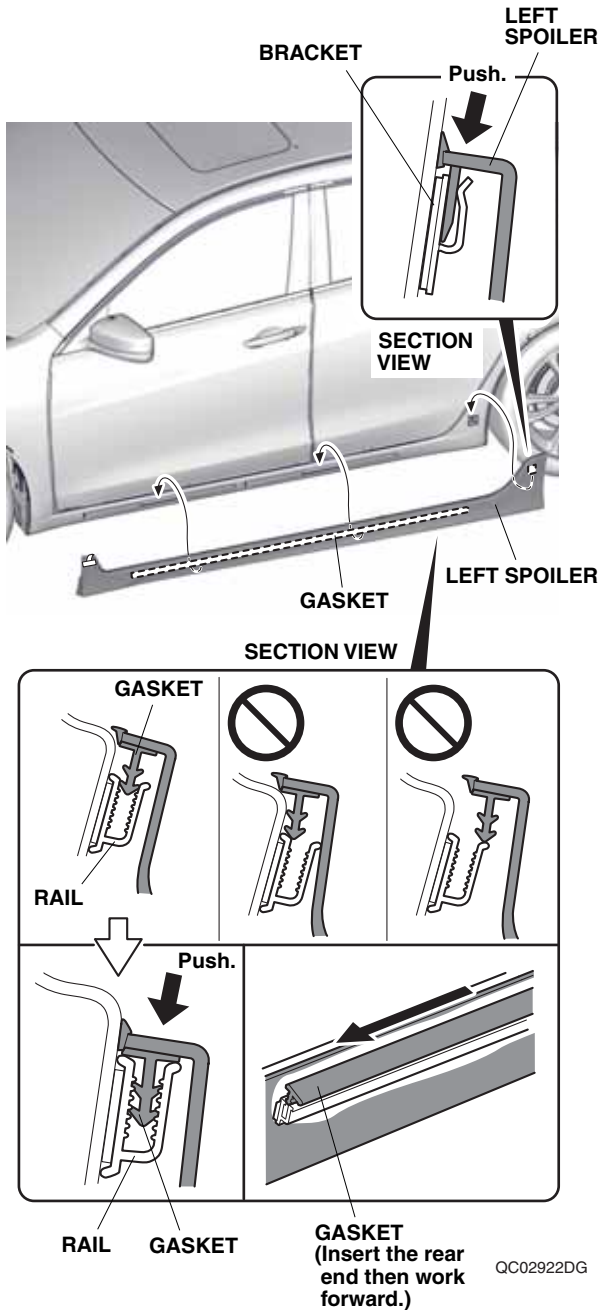
**NOTE:**

- If the gasket is not lubricated with soapy water you could damage the spoiler.
- Do not use an organic solvent (e.g. thinner, benzene, gasoline, etc.), acid or alkaline solution.

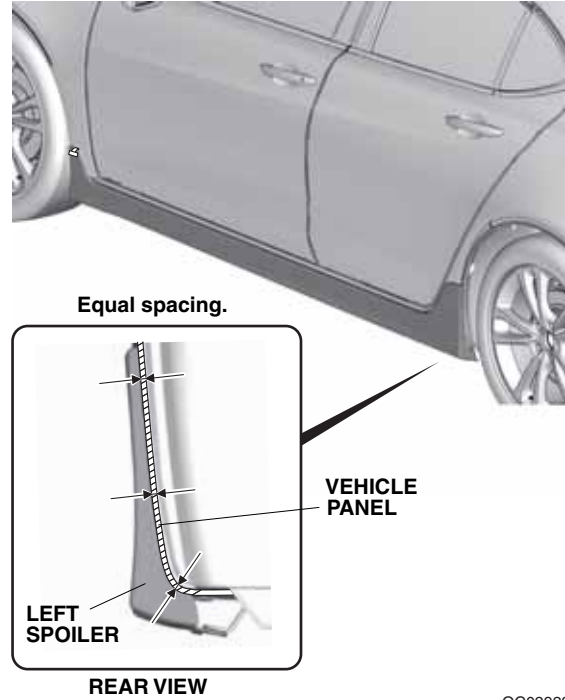


QC02921BG

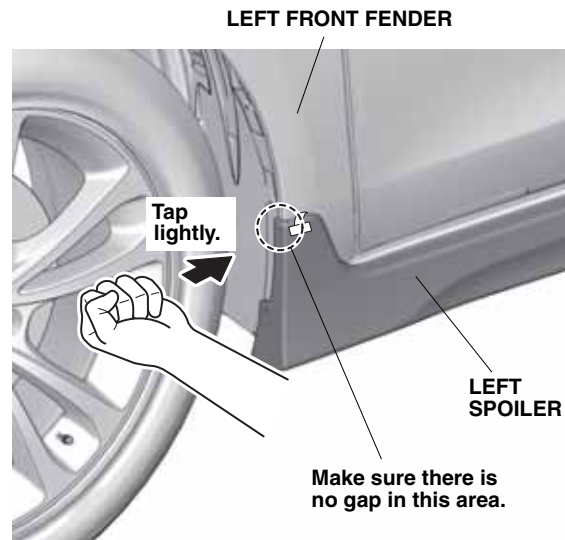
25. Secure the hook on the spoiler to the bracket and align the gasket on the spoiler with the rails. Insert the rear part of the gasket into the rail first, then work forward. Move the spoiler up and down gently to make sure that the gasket is installed securely to the rails.



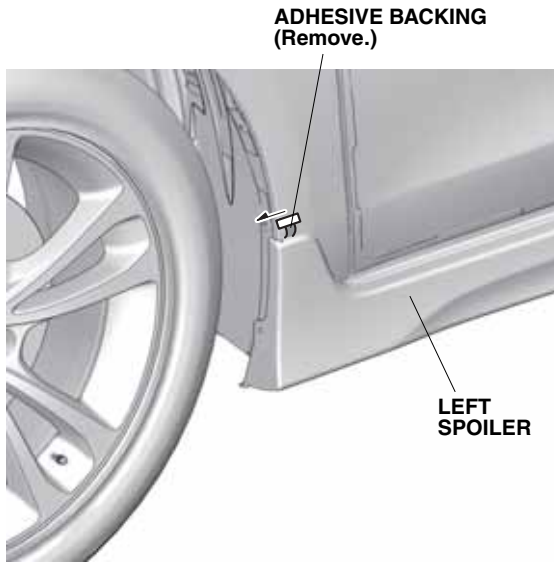
26. Adjust the gap in the area shown.



27. Lightly tap the spoiler to remove any gap between the spoiler and the left front fenderwell.

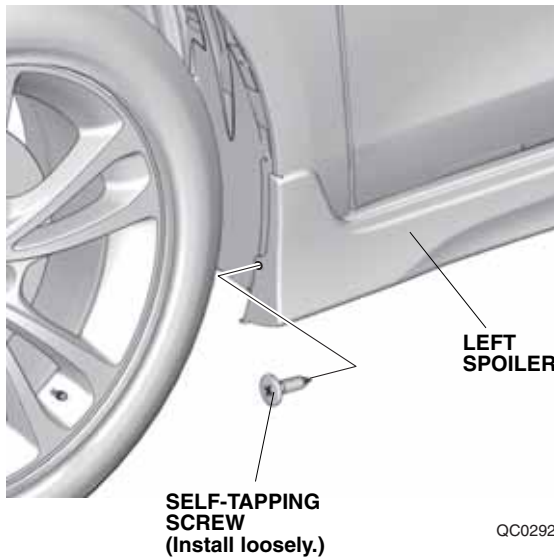


28. While applying light pressure against the spoiler, carefully remove the adhesive backing.



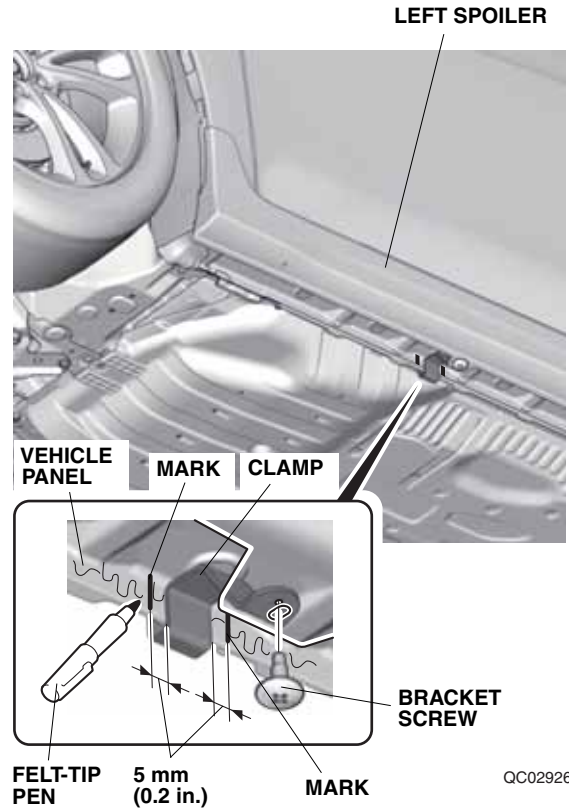
QD32602AY

29. Using your hand, firmly press the spoiler against the vehicle panel for 30 seconds.
30. Loosely install one self-tapping screw through the spoiler into the clip on the front fender.



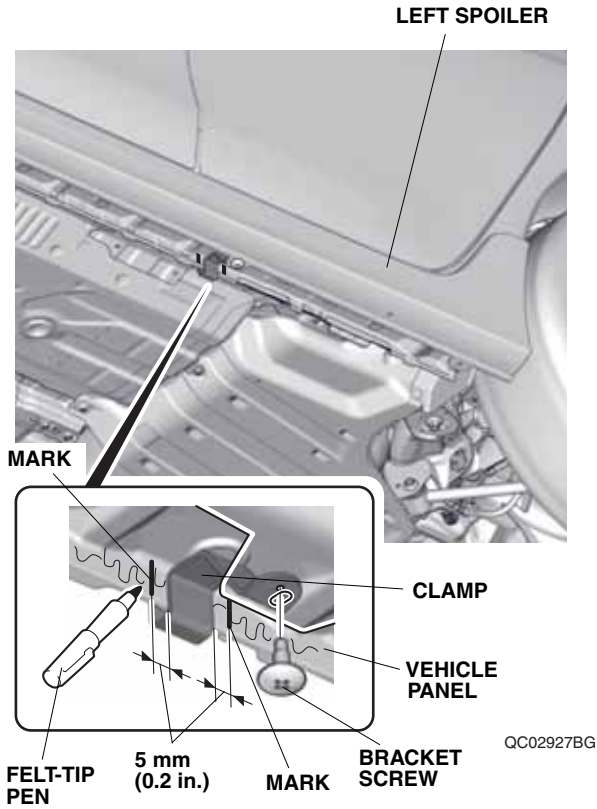
QC02925AG

31. Install one clamp with the bracket screw.



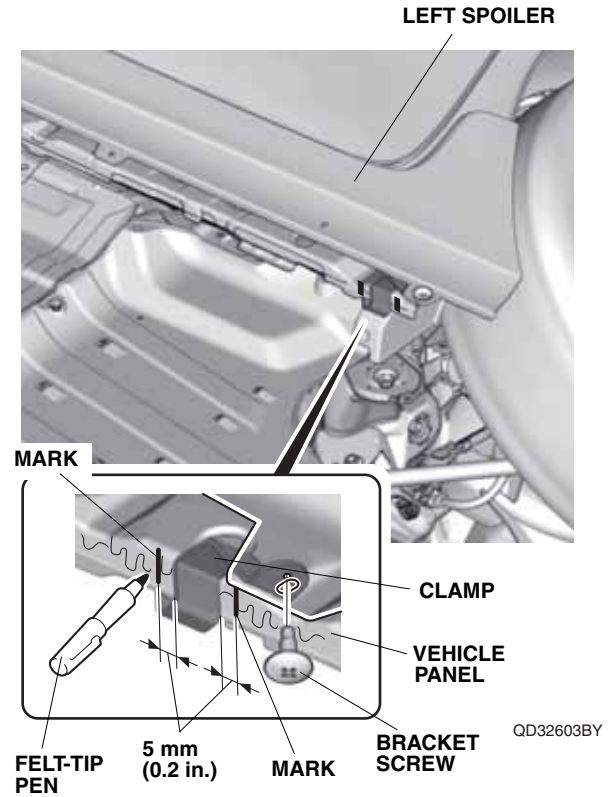
32. Using a felt-tip pen, mark the vehicle panel at the measurement shown.
33. Remove the clamp and bracket screw.

34. Install the second clamp with the bracket screw.



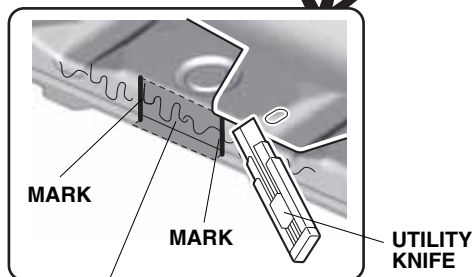
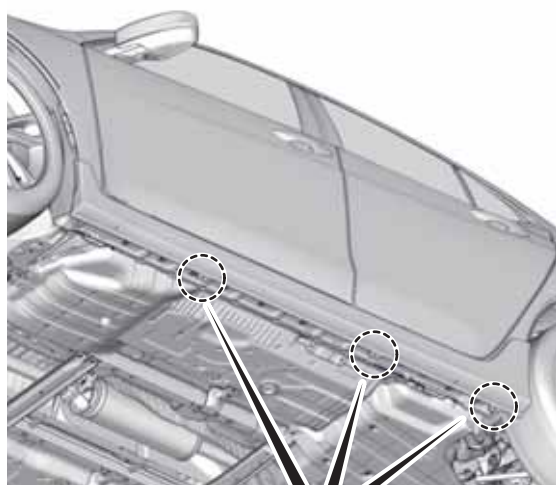
35. Using a felt-tip pen, mark the vehicle panel at the measurement shown.
36. Remove the clamp and bracket screw.

37. Install the third clamp with the bracket screw.



38. Using a felt-tip pen, mark the vehicle panel at the measurement shown.
39. Remove the clamp and bracket screw.

40. Using an utility knife, remove the undercoating in the area shown.

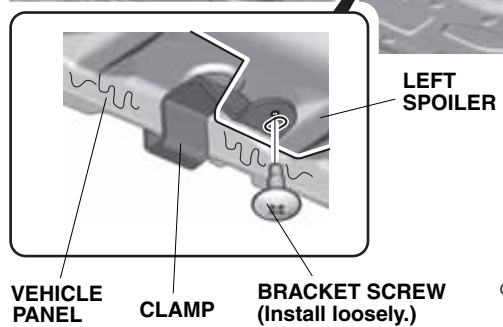
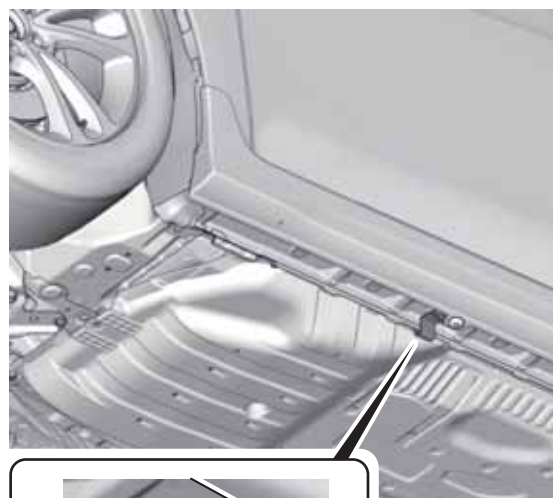


**UNDERCOATING**  
(Remove the undercoating on the outside and inside of the vehicle panel.)

QC02928BG

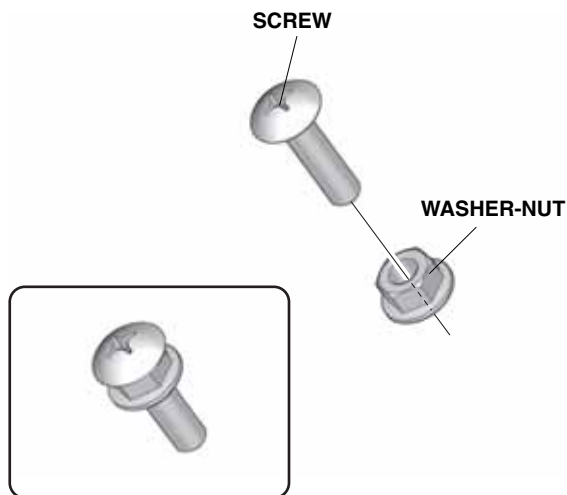
41. Apply touch-up paint to the area where you removed the undercoating, and allow it to dry thoroughly.

42. Install one clamp with the loosely-installed bracket screw.



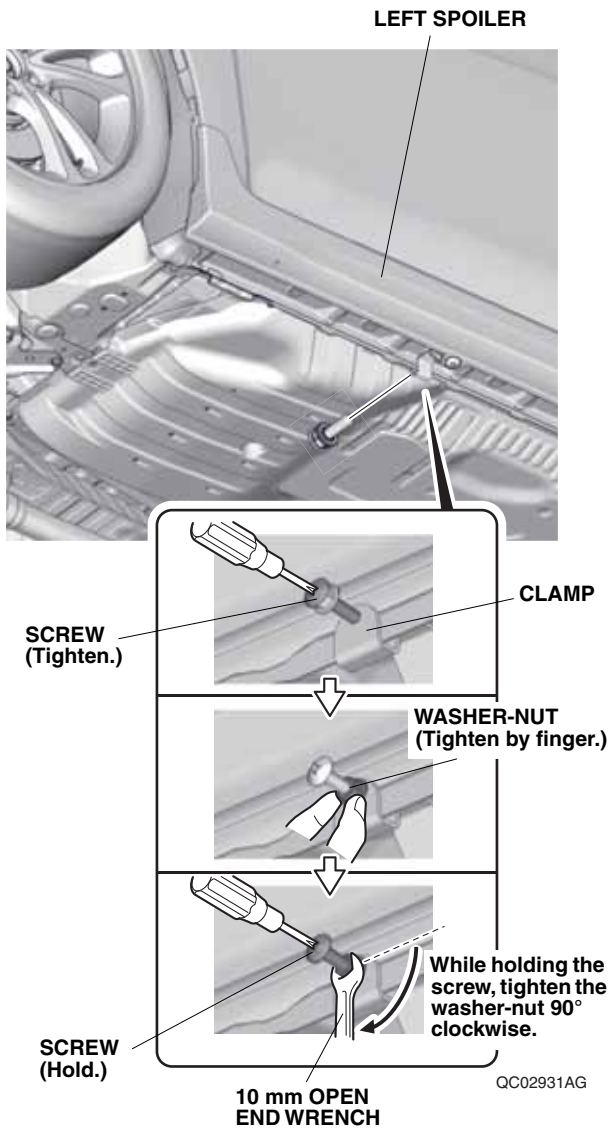
QC02929AG

43. Assemble one screw and one washer-nut.



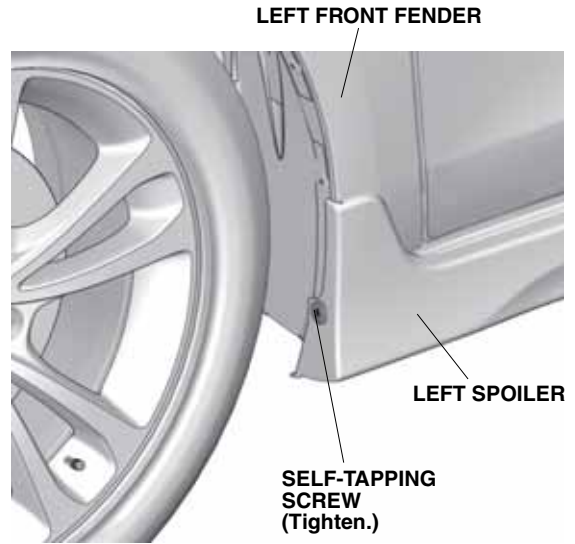
QC02930AG

44. Tighten the screw into the clamp securely, then finger tighten the washer-nut against the clamp. While holding the screw, tighten the washer-nut 90° clockwise.

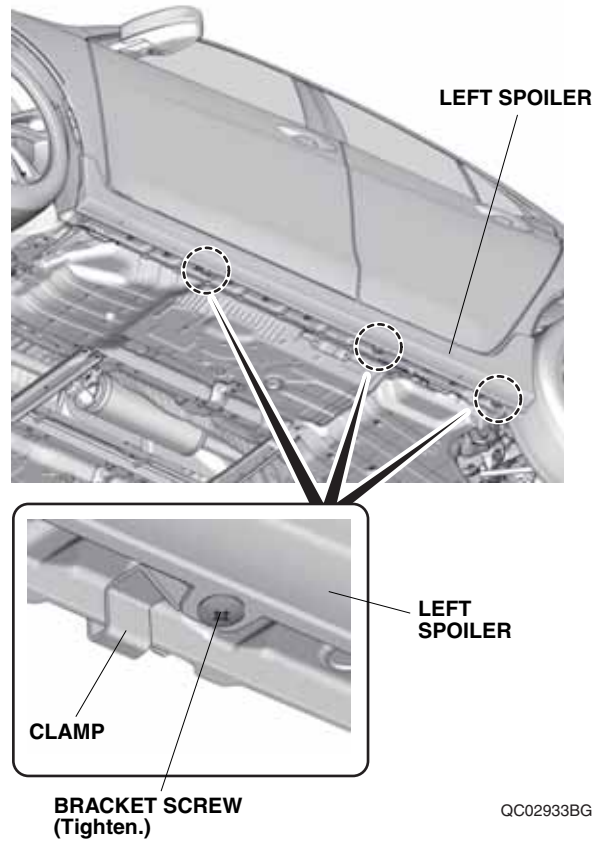


45. Repeat steps 42 through 44 for the other two clamps.

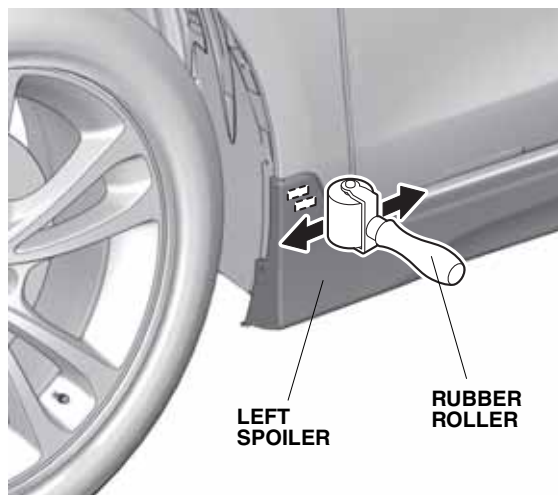
46. Tighten the self-tapping screw.



47. Tighten the bracket screws.



48. Using a rubber roller, apply firm pressure while rolling to set the adhesive.



QC02934AG

49. Repeat steps 1 through 48 to install the right spoiler on the right side of the vehicle.