



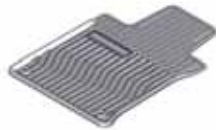
# INSTALLATION INSTRUCTIONS

<b>Accessory</b>  <b>ALL-SEASON FLOOR MATS</b>	<b>Application</b>  <b>2017 TLX</b>	<b>Publications No.</b> <b>VERSION 1</b>
		<b>Issue Date</b> <b>MAY 2016</b>

## PARTS LIST

### All-Season Floor Mat Kit (2WD) P/N 08P13-TZ3-200A

Driver's all-season floor mat



Passenger's all-season floor mat



Left rear all-season floor mat

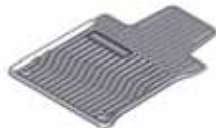


Right rear all-season floor mat



### All-Season Floor Mat Kit (AWD) P/N 08P13-TZ7-200A

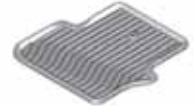
Driver's all-season floor mat



Passenger's all-season floor mat



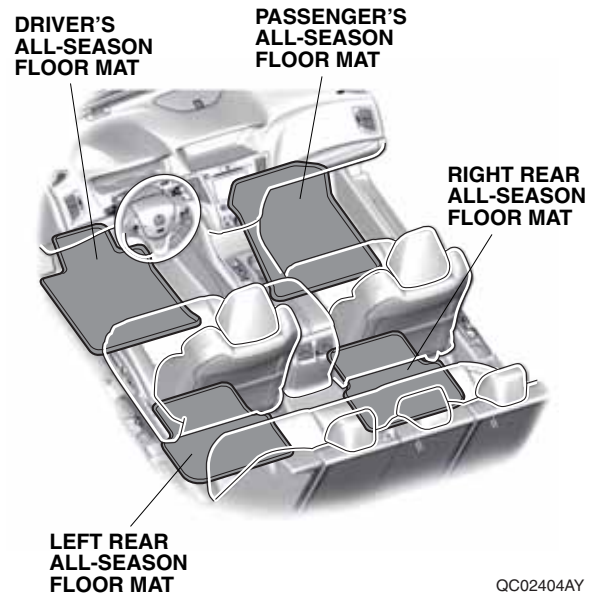
Left rear all-season floor mat



Right rear all-season floor mat



## Illustration of the All-Season Floor Mats in the Vehicle



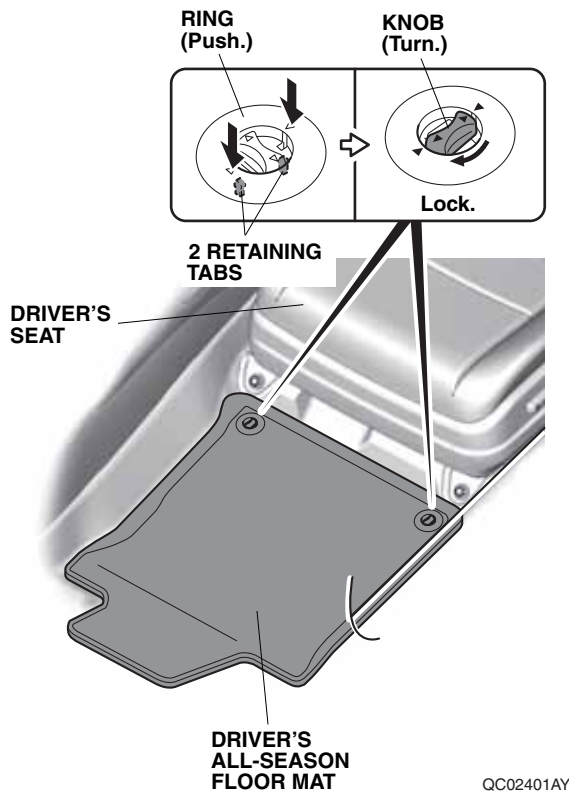
## INSTALLATION

### NOTE:

- Before installing the mats, identify their installation positions.
- Connect the mats to the anchors to prevent the mats from sliding forward and possibly interfering with the pedals.
- If you remove a mat, make sure you re-anchor it when you put it back in your vehicle.
- If you replace a mat, use a factory mat designed to be used with the anchors.
- If you use a non-factory mat in the driver's footwell, make sure it fits properly and that it can be used with the anchors.
- Do not put an additional mat on top of the anchored mat. An additional mat may slide forward and possibly interfere with the pedals.

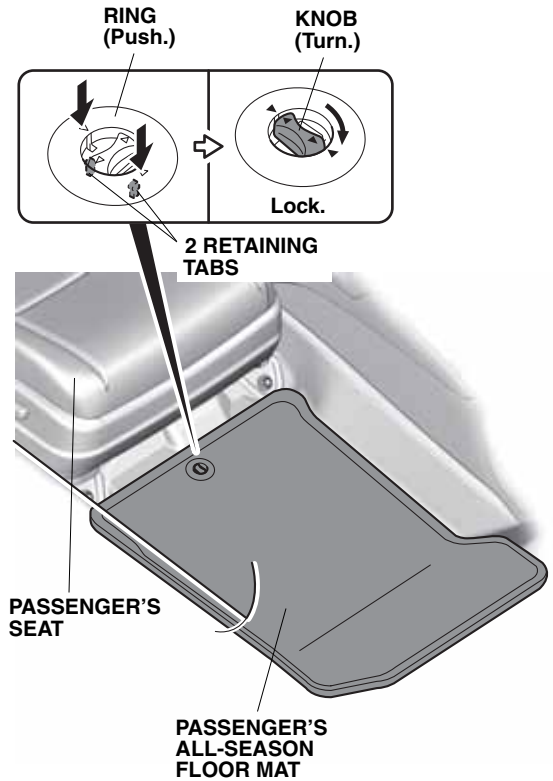
### Installing the All-Season Floor Mats

1. If equipped, remove the standard floor mats.



2. Install the rings in the driver's all-season floor mat over the anchors. Push the rings into the anchors to secure the retaining tabs, then turn the knobs 90° to secure the floor mat to the floor.

3. Install the rings in the passenger's all-season floor mat over the anchors. Push the rings into the anchors to secure the retaining tabs, then turn the knobs 90° to secure the mat to the floor.



QC02402AY

4. Install the rings in the left and right rear all-season floor mats over the anchors. Push the rings into the anchors to secure the retaining tabs, then turn the knobs 90° to secure the mats to the floor.

