



INSTALLATION INSTRUCTIONS

Accessory
SHIFT KNOB
P/N 08U92-TY2-200

Application
2017 RLX
(EXCEPT HYBRID)

Publications No.
VERSION 1
Issue Date
AUG 2016

PARTS LIST

Shift knob



2 Screws



TOOLS AND SUPPLIES REQUIRED

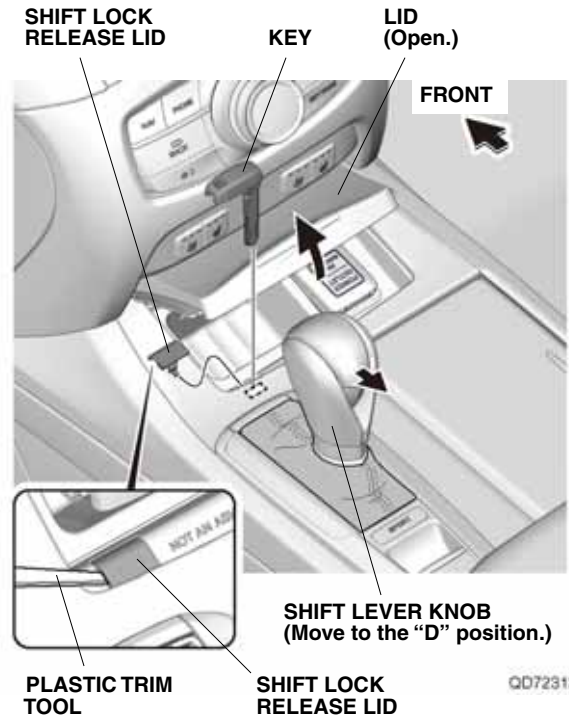
Phillips screwdriver

The following tools are available through the Acura Tool and Equipment Program. On the iN, click on: Service > Service Bay > Tool and Equipment Program, then enter the number under "Search". Or, call 888-424-6857.

- Torque Screwdriver (T/N CDI401SM)
- Plastic Trim Tool (T/N SILTRIMTL10)

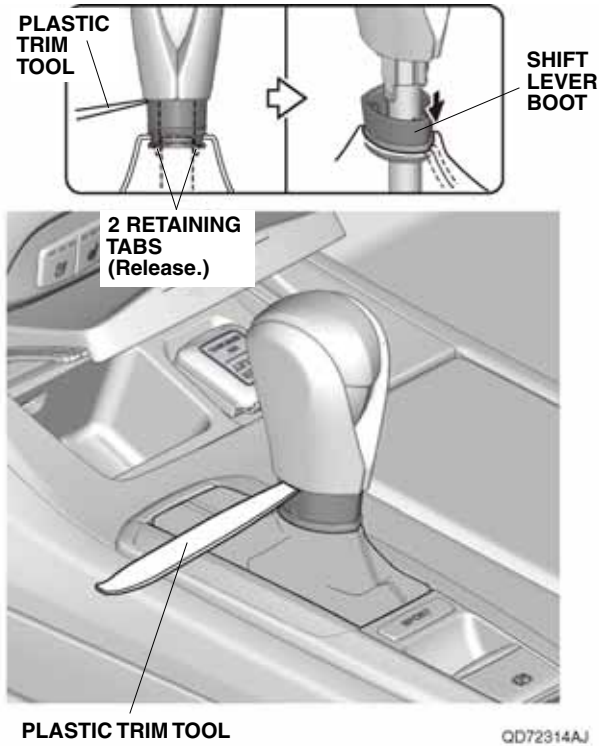
INSTALLATION

1. With the parking brake on, open the lid, and remove the shift lock release lid with a plastic trim tool.

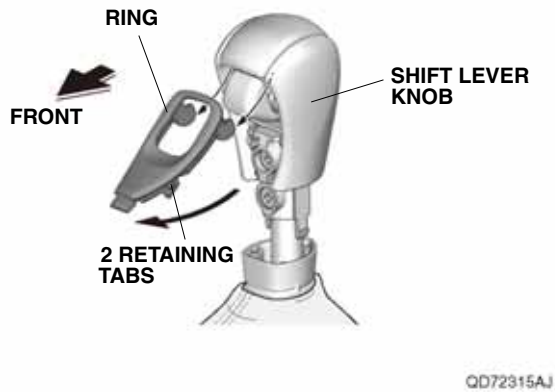


2. Insert the key, and move the shift lever knob to the "D" position.

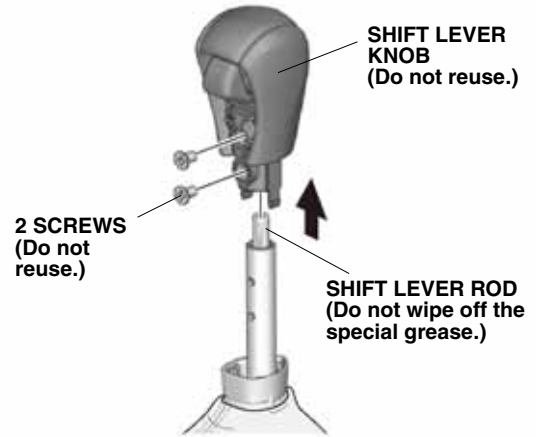
3. Using the plastic trim tool, lower the shift lever boot.



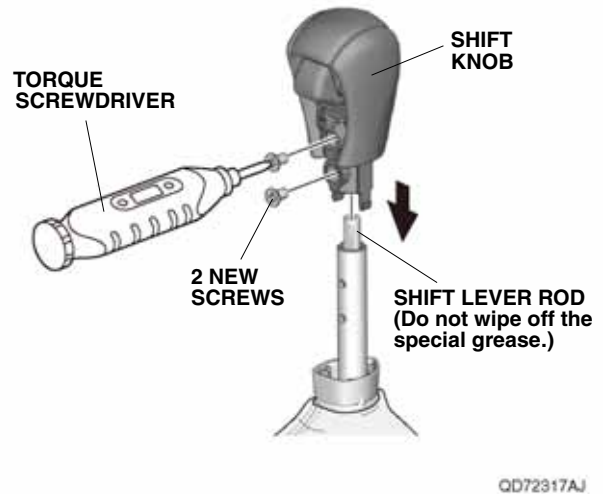
4. Remove the ring from the shift lever knob.



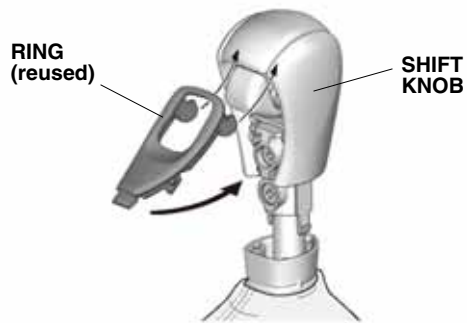
5. Remove the two screws from the shift lever knob, and remove the shift lever knob by pulling it up.



6. Install the shift knob using the two new screws. Using a torque screwdriver, torque the screws to 2.0-2.9 N·m (1.5-2.1 lb·ft). Do not overtighten the screws.

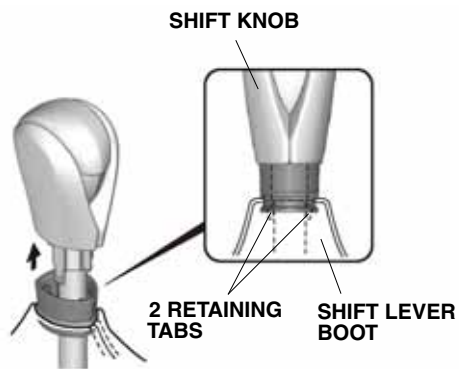


7. Install the ring.



QD72318AJ

8. Pull the shift lever boot up to the normal position.



QD72319AJ

9. Reinstall the shift lock release lid.

USE AND CARE

- Use a sponge or cloth and a solution of mild liquid dishwashing soap and water to clean the shift knob.
- Rinse the knob completely with water, then dry it with a shop towel.
- Never use solvents such as benzene, thinner, or gasoline to clean the shift knob.