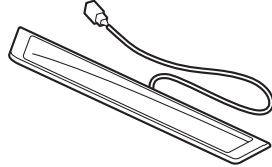
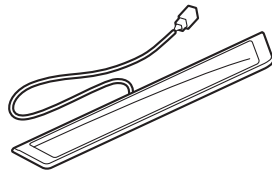


## PARTS LIST

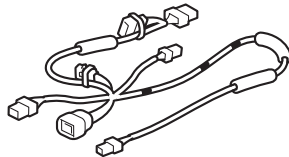
Left illuminated door sill trim



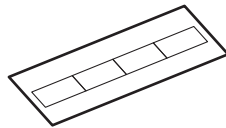
Right illuminated door sill trim



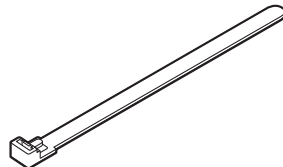
Door sill trim harness



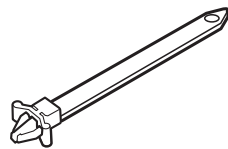
Fuse label



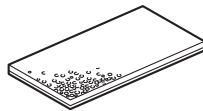
23 Wire ties  
(Some may not used)



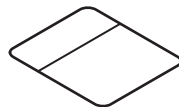
Wire ties with clip  
(May not used)



Urethane tape



Protective tape



2 Alcohol swabs



## TOOLS AND SUPPLIES REQUIRED

Phillips screwdriver

Diagonal cutters

Ratchet

8 mm and 10 mm Sockets

10 mm Open end wrench

Isopropyl alcohol

Scissors

Shop towel

Ruler

Felt-tip pen

Tape

Electrical tape

3 mm and 6 mm Drill bits

Drill

Pushpin

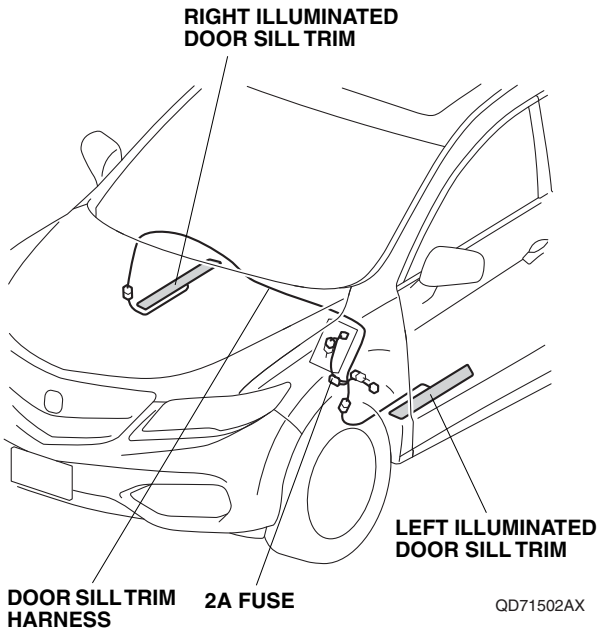
Steel wire

Eye protection (face shield, safety goggles, etc)

*The following tools is available through the Honda Tool and Equipment Program. On the iN, click on: Service > Service Bay > Tool and Equipment Program, then enter the number under "Search". Or, call 888-424-6857.*

- Trim Tool Set (T/N SOJATP2014)

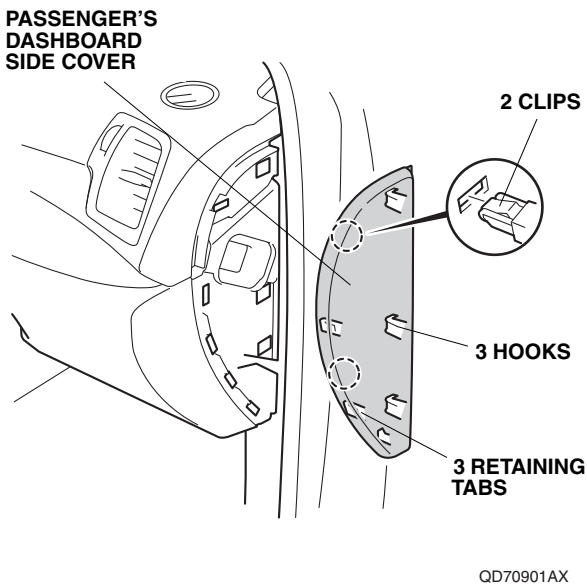
**Illustration of the Illuminated Door Sill Trims in the Vehicle**



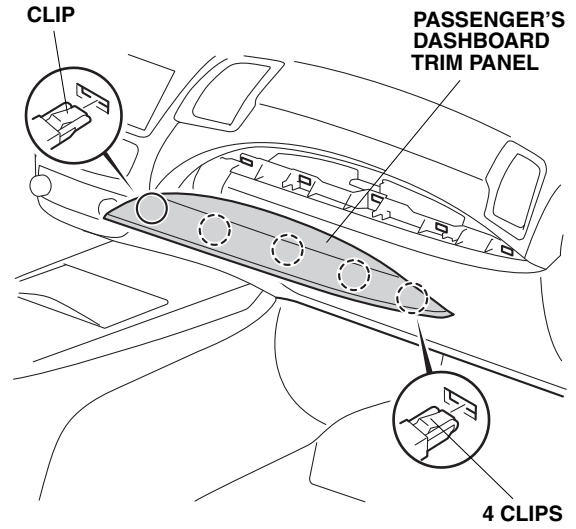
**INSTALLATION**

**Client Information:** The information in this installation instruction is intended for use only by skilled technicians who have the proper tools, equipment, and training to correctly and safely add equipment to your vehicle. These procedures should not be attempted by “do-it-yourselfers.”

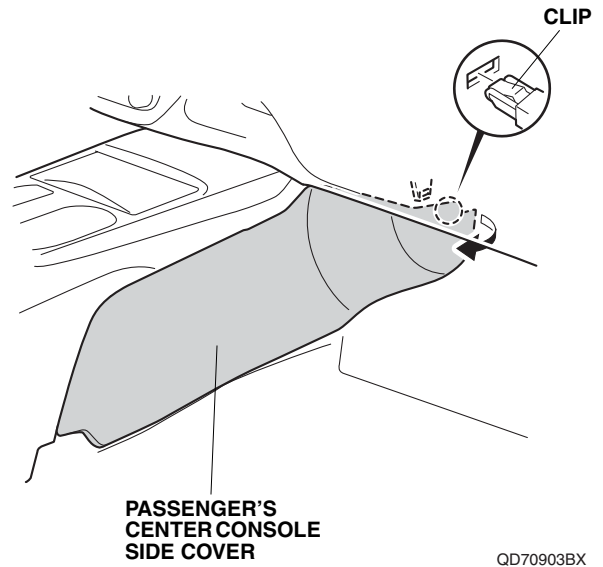
1. Disconnect the negative cable from the battery.
2. Remove the passenger’s dashboard side cover.



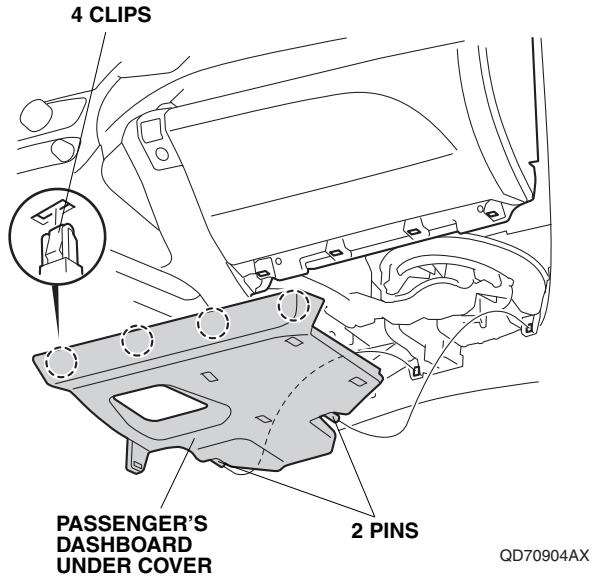
3. Remove the passenger’s dashboard trim panel.



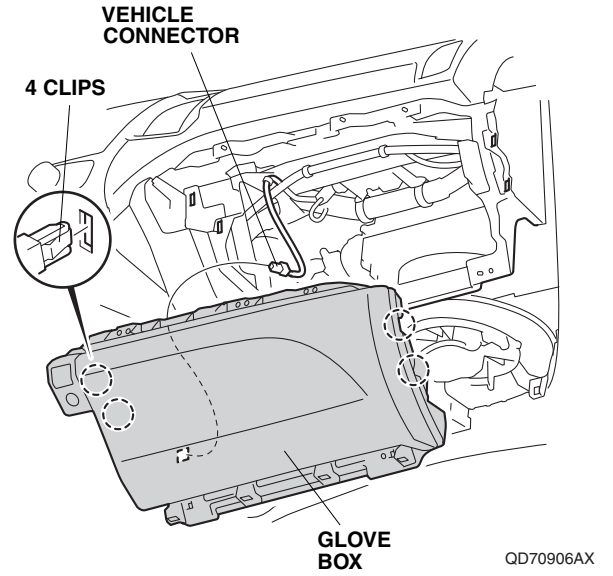
4. Release the passenger’s center console side cover. **NOTE:** Do not damage the passenger’s center console side cover.



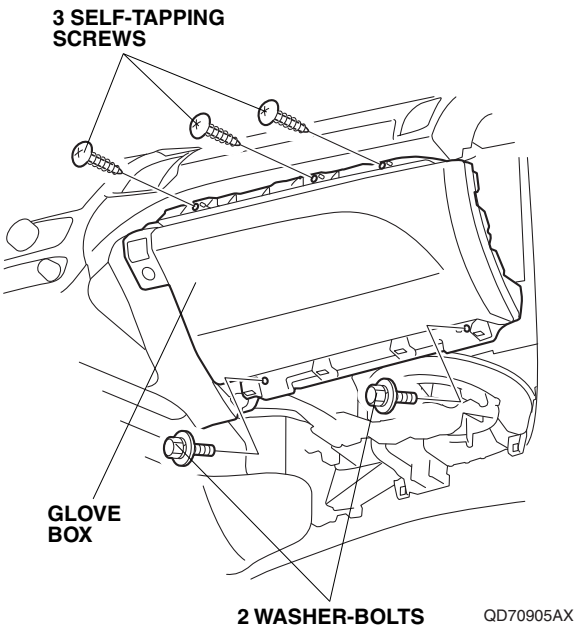
5. Remove the passenger's dashboard under cover.



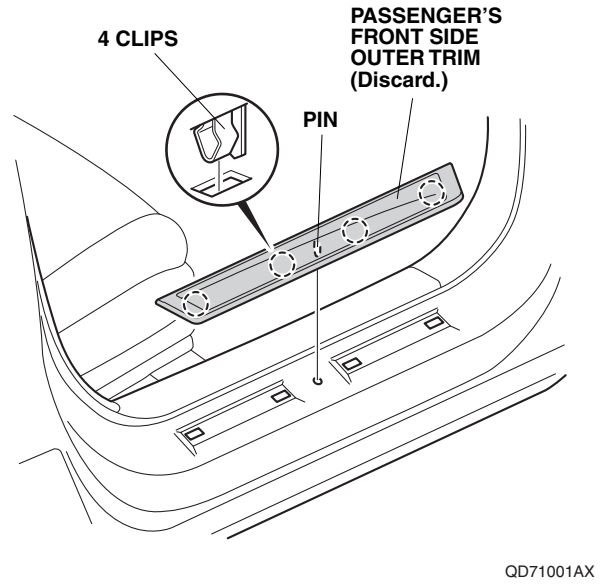
7. Remove the glove box.



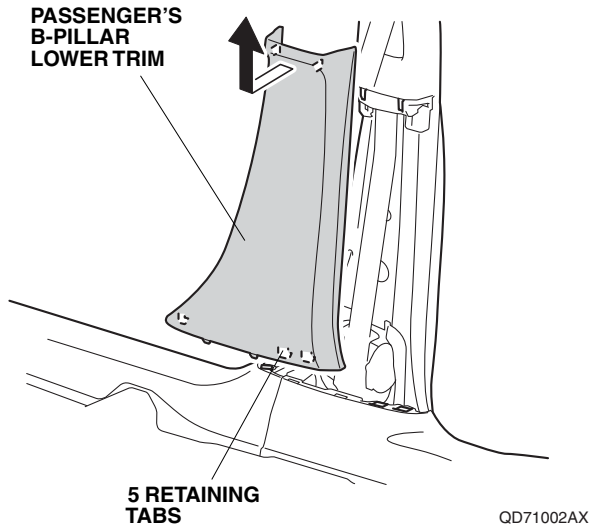
6. Remove the three self-tapping screws and the two washer-bolts from the glove box.



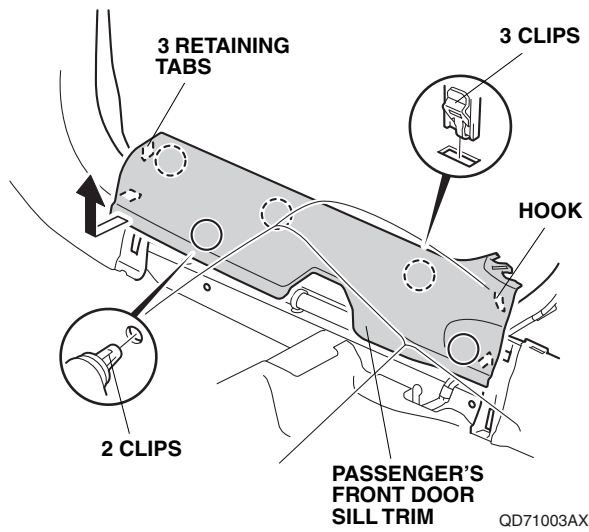
8. Remove the passenger's front side outer trim.



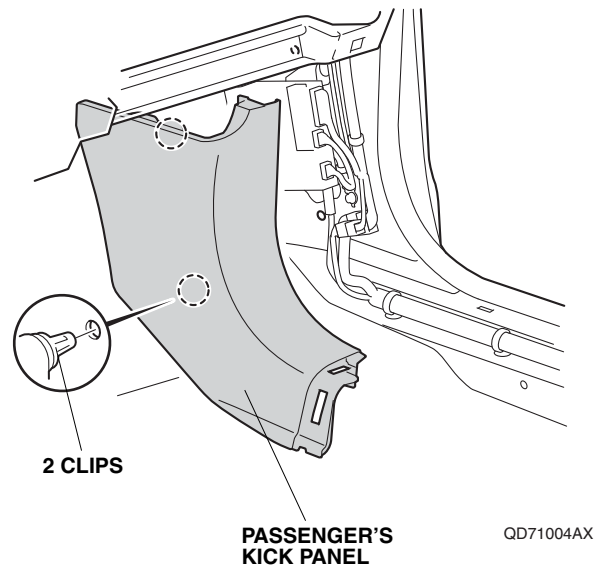
9. Remove the passenger's B-pillar lower trim.



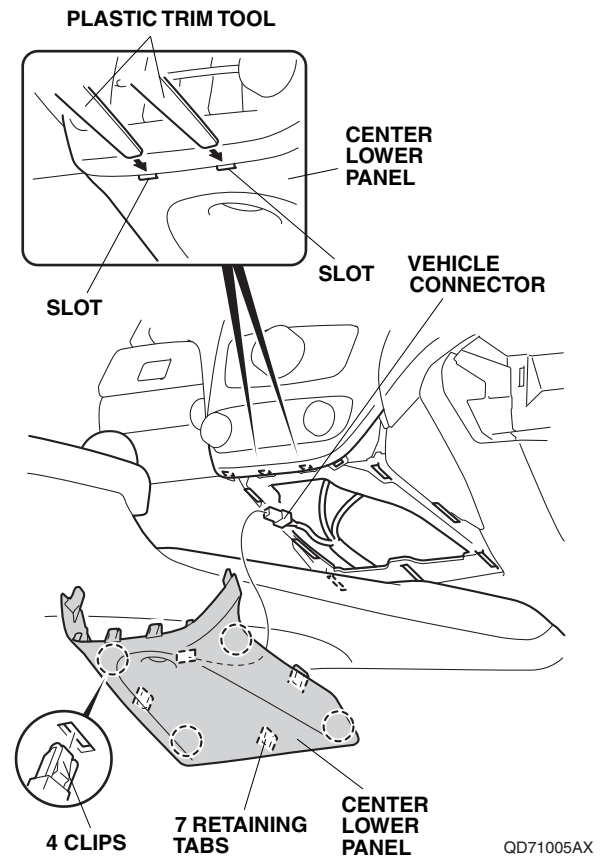
10. Remove the passenger's front door sill trim.



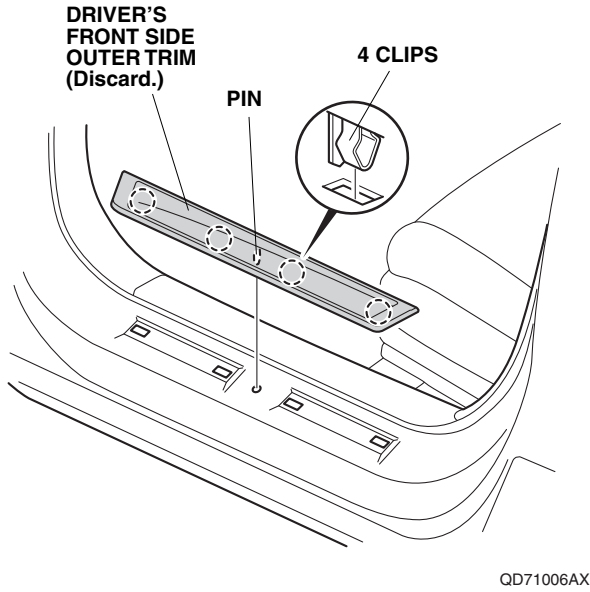
11. Remove the passenger's kick panel.



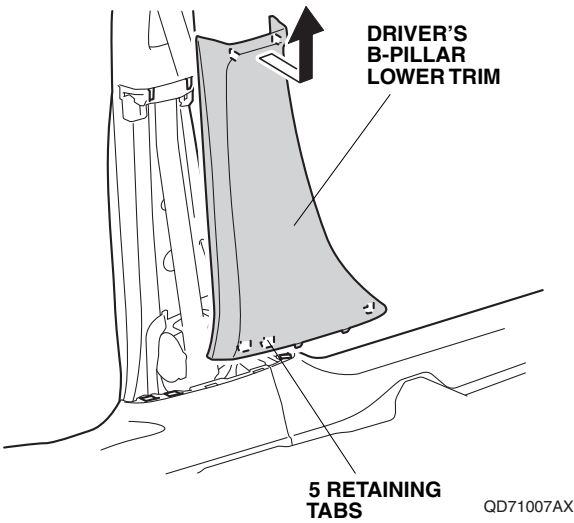
12. Using a plastic trim tool, remove the center lower panel and unplug the vehicle connector.



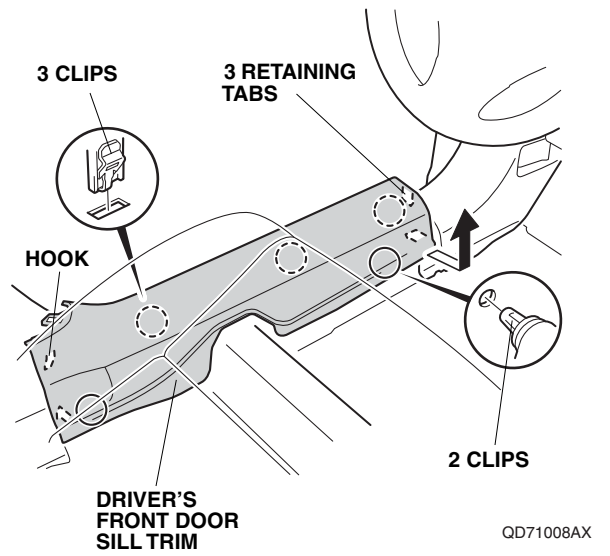
13. Remove the driver's front side outer trim.



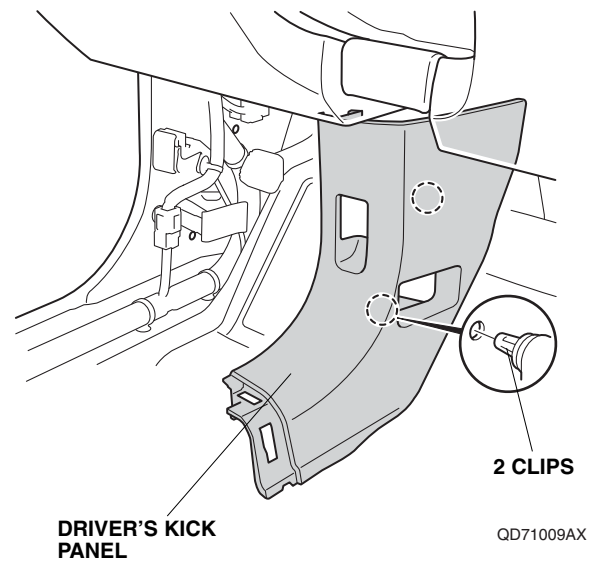
14. Remove the driver's B-pillar lower trim.



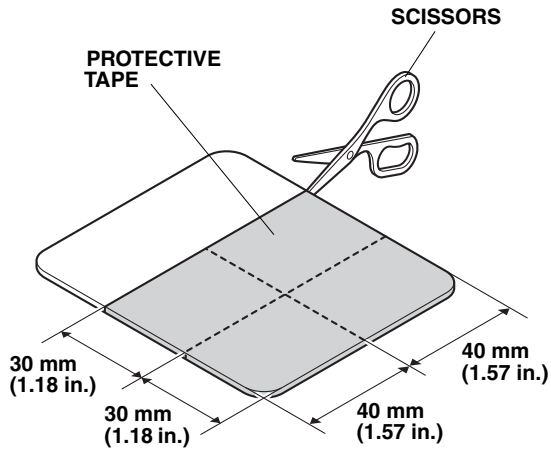
15. Remove the driver's front door sill trim.



16. Remove the driver's kick panel.

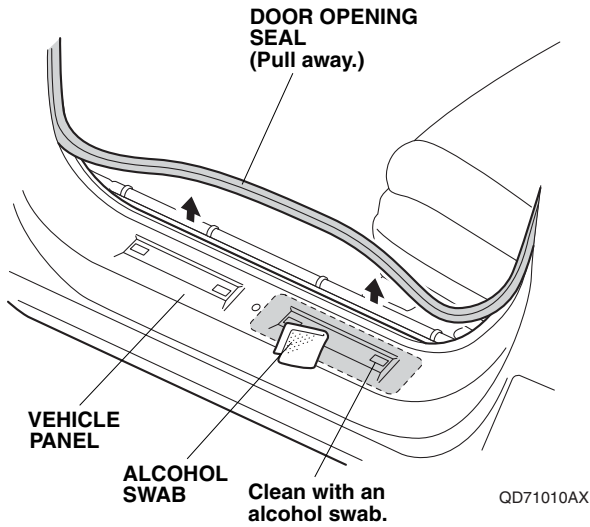


17. Using scissors, cut the protective tape as shown.



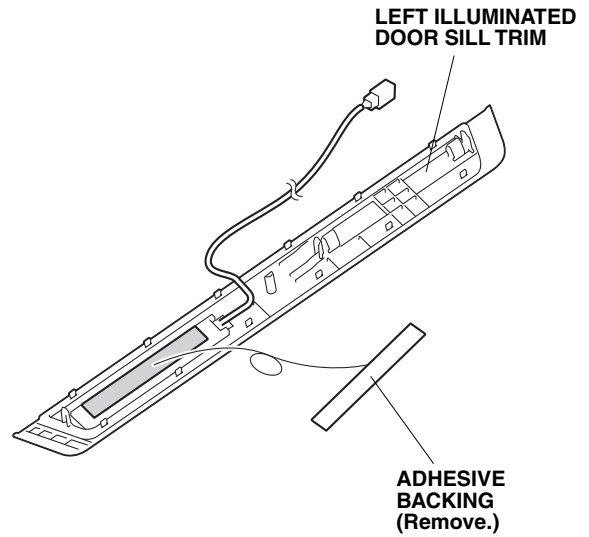
QD71013AX

18. Pull away the door opening seal. Using one alcohol swab, thoroughly clean the vehicle panel where the left illuminated door sill trim will attach.



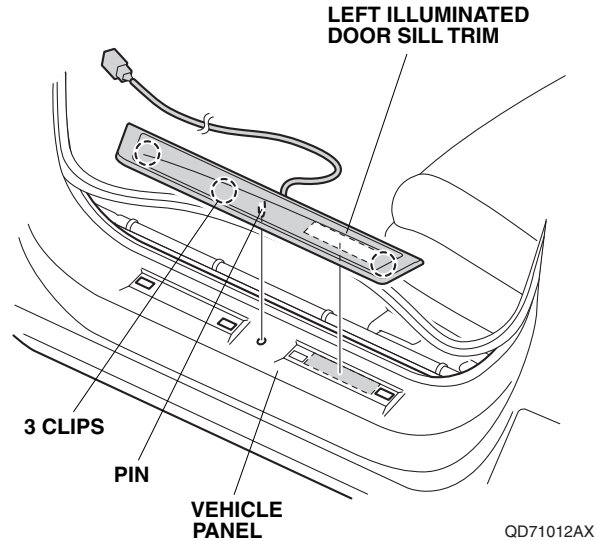
QD71010AX

19. Remove the adhesive backing from the left illuminated door sill trim.



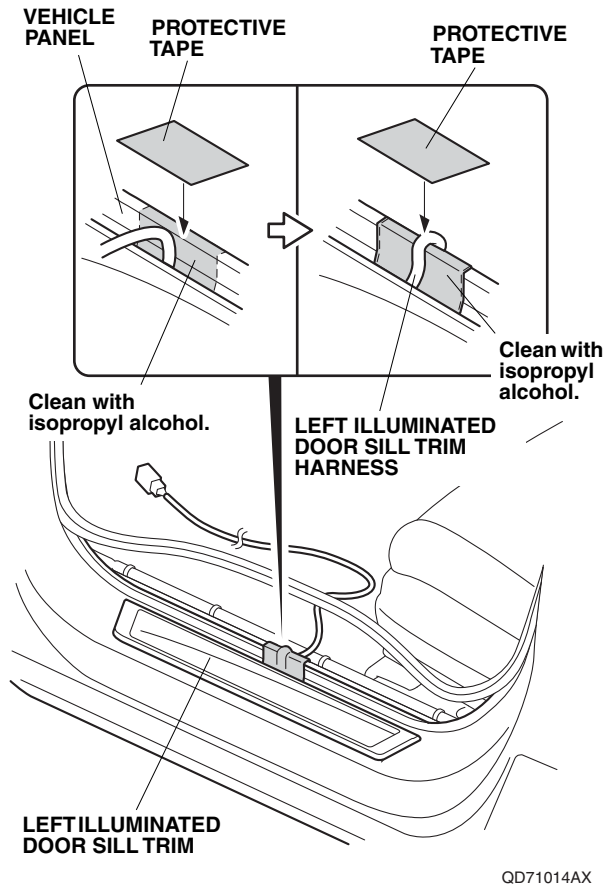
QD71011AX

20. Install the left illuminated door sill trim to the vehicle panel with three clips. Using the palm of your hand, firmly press the left illuminated door sill trim against the vehicle panel.



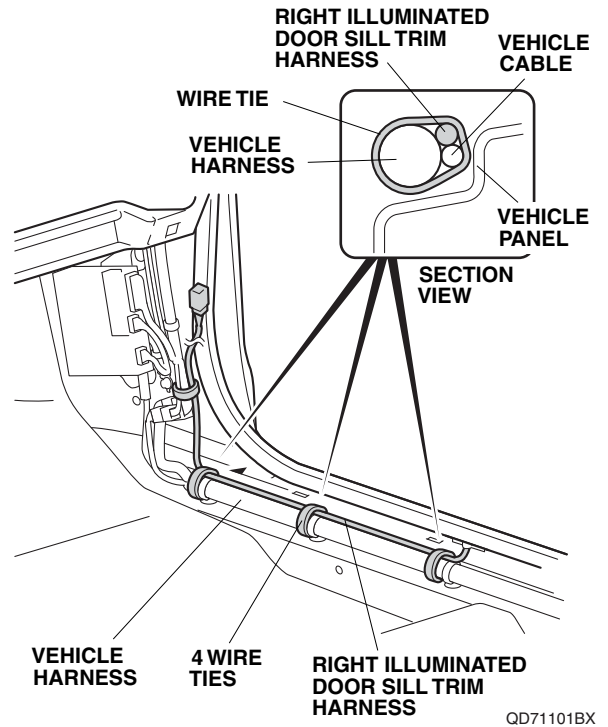
QD71012AX

21. Using isopropyl alcohol on a shop towel, thoroughly clean the vehicle panel where the protective tape will attach. Attach one piece of protective tape to the vehicle panel as shown.

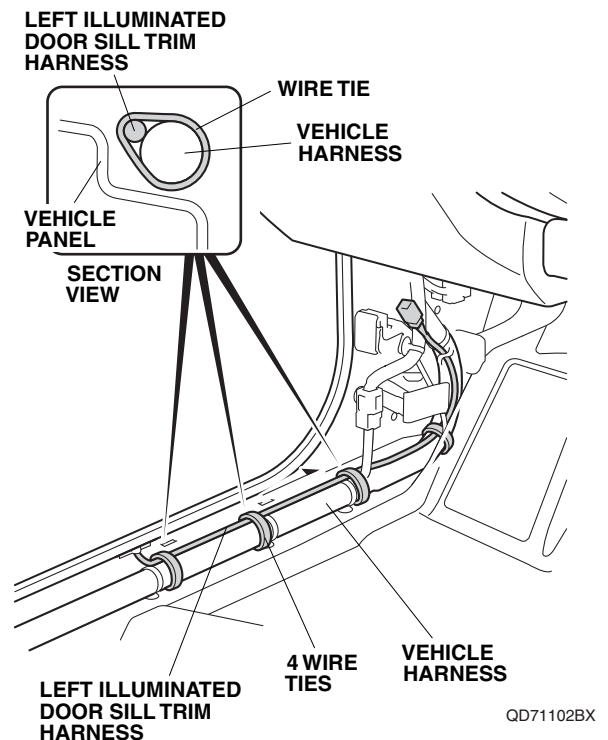


22. Using isopropyl alcohol on a shop towel, thoroughly clean the attached protective tape where the protective tape will attach. Secure the left illuminated door sill trim harness to the vehicle panel with one piece of protective tape as shown.
23. Reinstall the door opening seal.
24. Repeat steps 18 through 23 to install the right illuminated door sill trim.

25. Route the right illuminated door sill trim harness along the vehicle harness, and secure it to the vehicle harness with four wire ties.



26. Route the left illuminated door sill trim harness along the vehicle harness, and secure it to the vehicle harness with four wire ties.

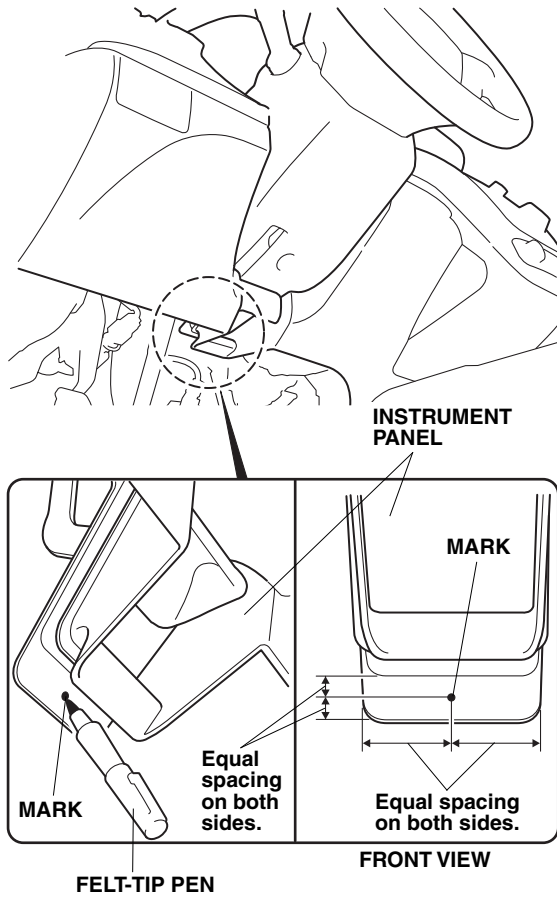




If the vehicle is already equipped with another accessory harness, go to step 30; otherwise, continue with step 27.

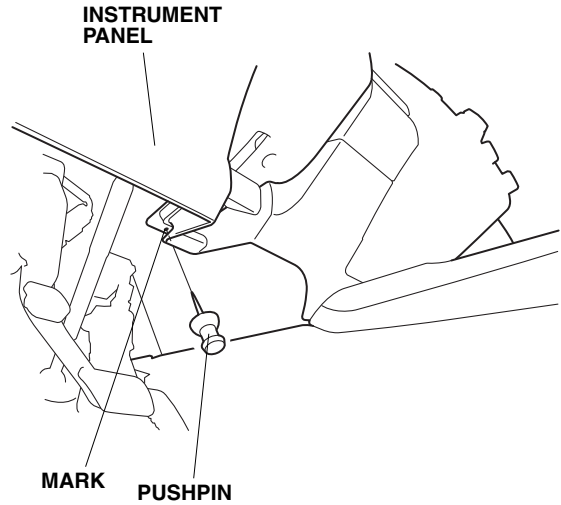
**Without other accessory harness**

27. Using a felt-tip pen, mark the instrument panel at the measurements shown.



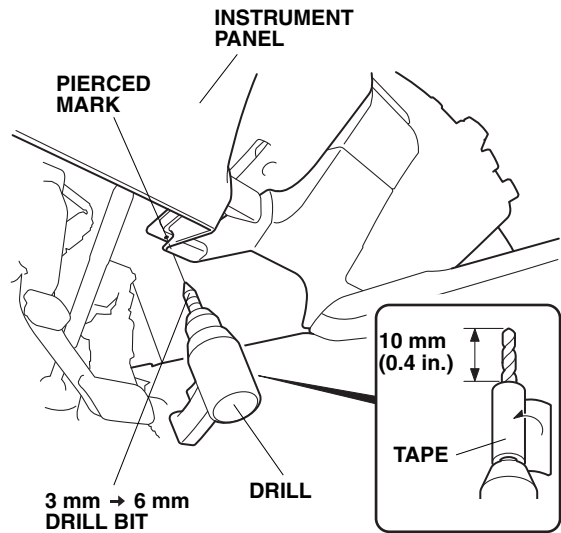
QD71103AX

28. Using a pushpin, pierce the mark on the instrument panel.



QD71104AX

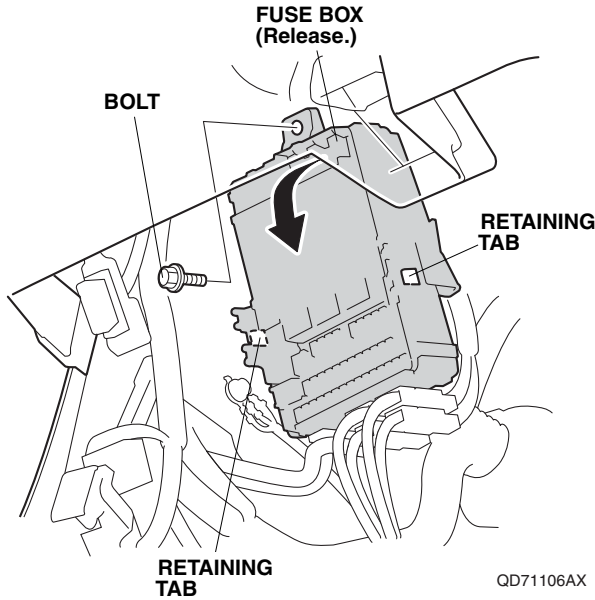
29. While wearing eye protection, drill the pierced mark with a 3 mm drill bit, then enlarge the hole with a 6 mm drill bit. Remove any burrs. To prevent drilling through the inner panel, wrap tape around the drill bit 10 mm (0.4 in.) away from the tip or use a drill stop.



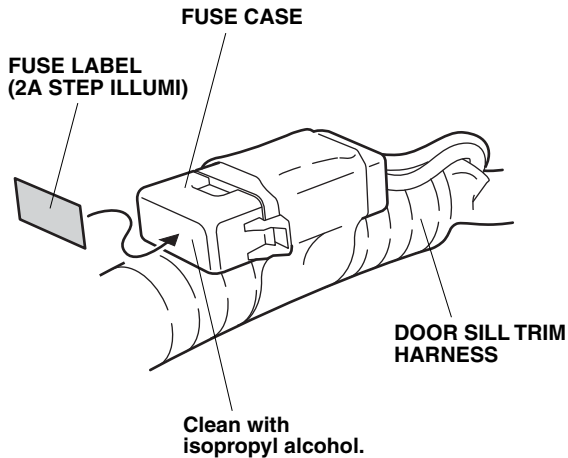
QD71105AX



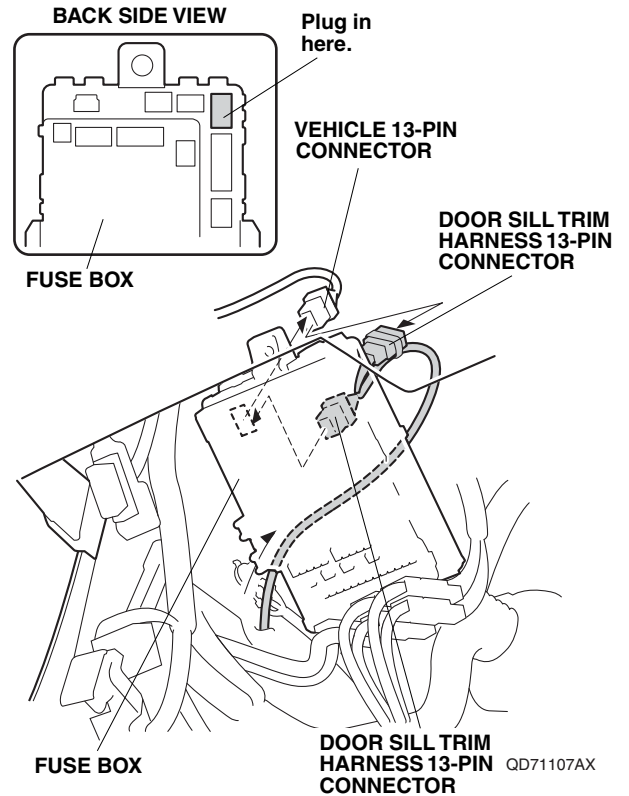
30. Release the fuse box.



31. Using isopropyl alcohol on a shop towel, thoroughly clean the fuse case where the fuse label will attach. Attach the fuse label (2A STEP ILLUMI) to the fuse case on the door sill trim harness.



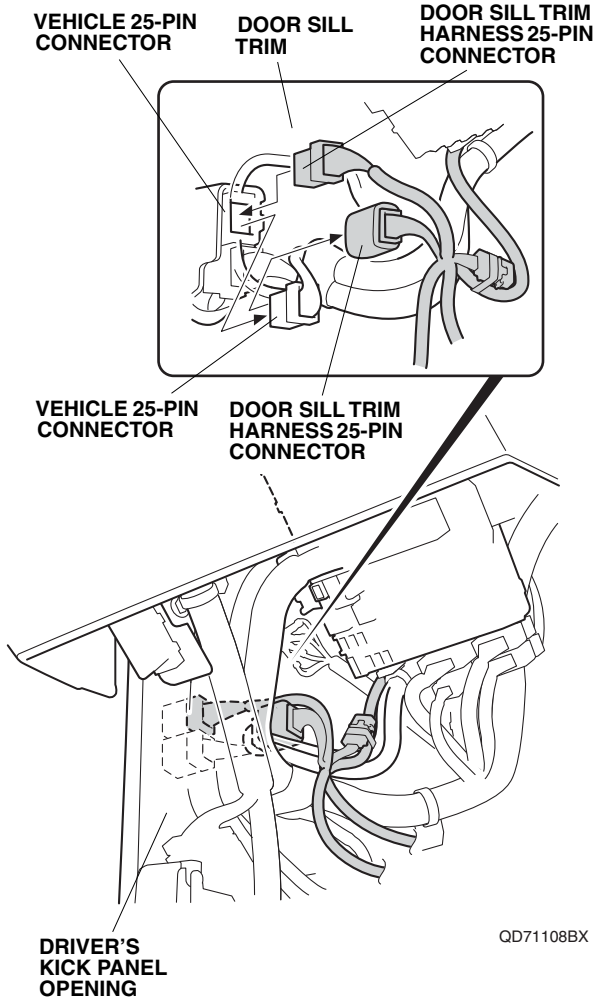
32. Unplug the vehicle 13-pin connector, and plug it into the door sill trim harness 13-pin connector.



33. Plug the remaining door sill trim harness 13-pin connector into the fuse box.

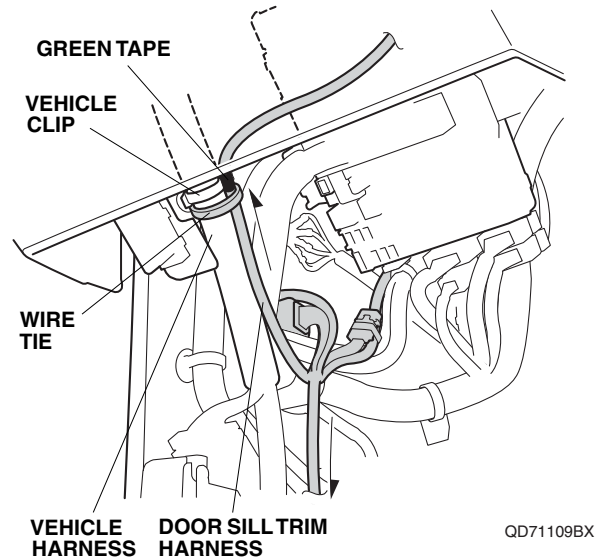
34. Reinstall the fuse box.

35. Reaching through door sill trim, unplug the vehicle 25-pin connector and plug it into the door sill trim harness 25-pin connector.

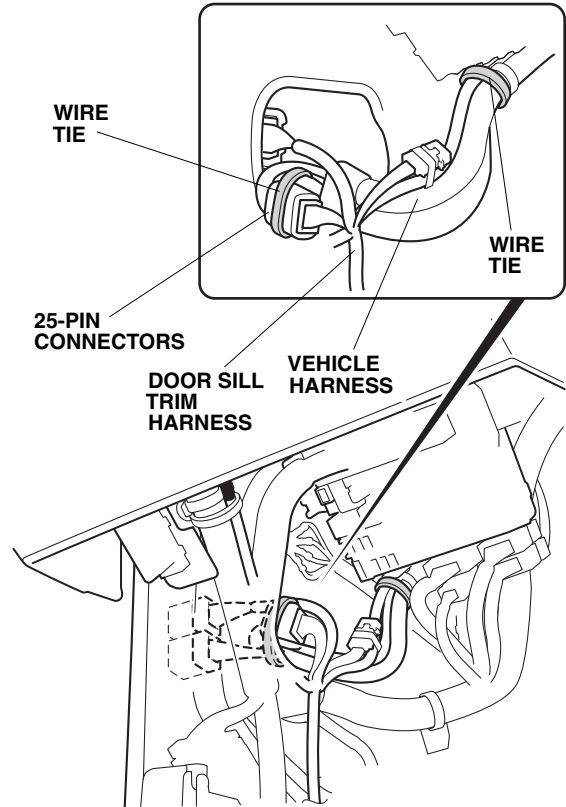


36. Plug the remaining door sill trim harness 25-pin connector into the vehicle 25-pin connector.

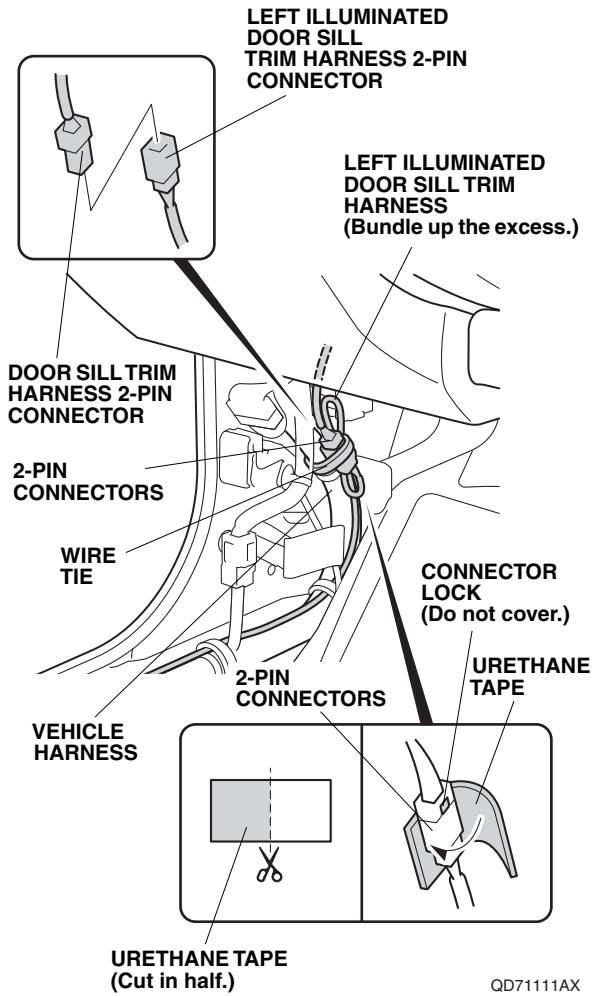
37. Route the door sill trim harness as shown. Align the green tape on the door sill trim harness with the vehicle clip, and secure the door sill trim harness to the vehicle harness with one wire tie.



38. Secure the door sill trim harness and the 25-pin connectors to the vehicle harness with two wire ties.

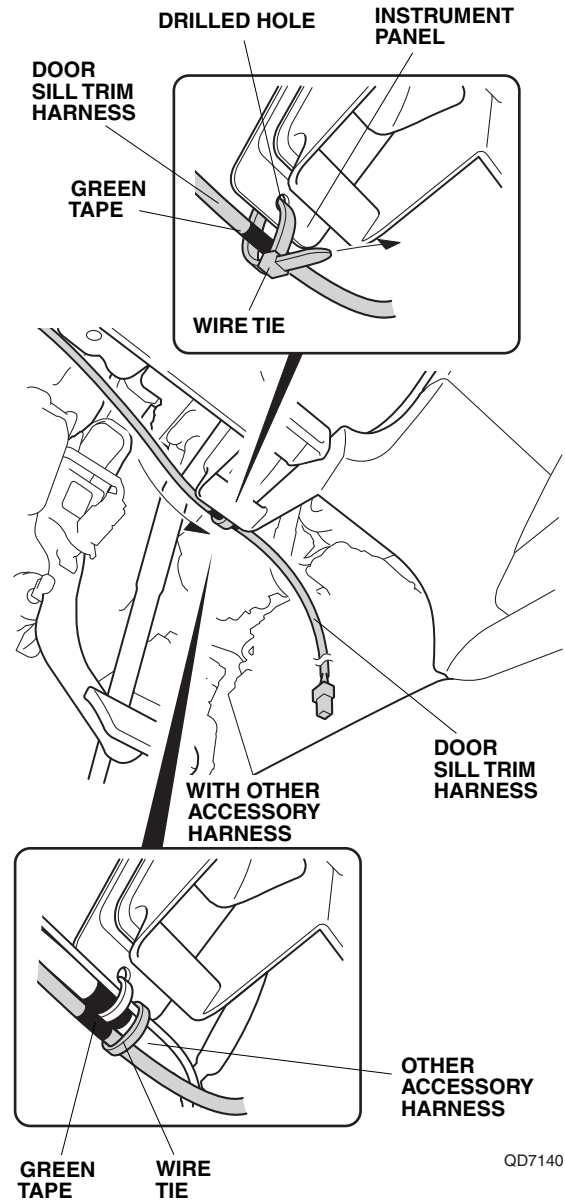


39. Plug the door sill trim harness 2-pin connector into the left illuminated door sill trim harness 2-pin connector.

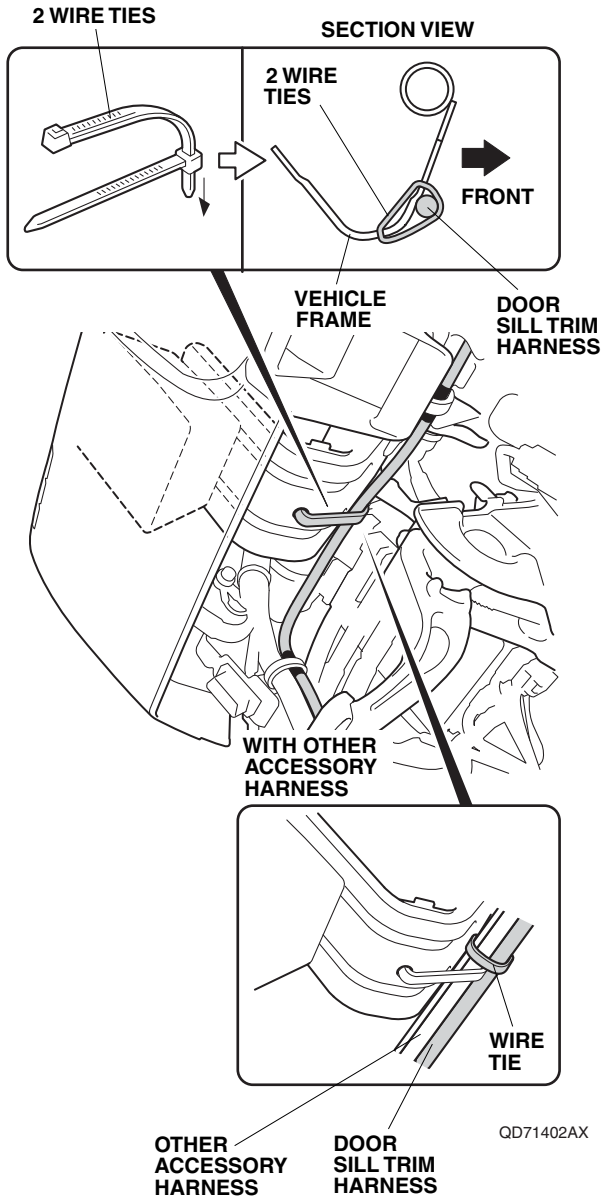


40. Using scissors, cut one urethane tape in half, and attach one piece of urethane tape around the 2-pin connectors.
41. Bundle up the excess left illuminated door sill trim harness, and secure the left illuminated door sill trim harness and 2-pin connectors to the vehicle harness with one wire tie.

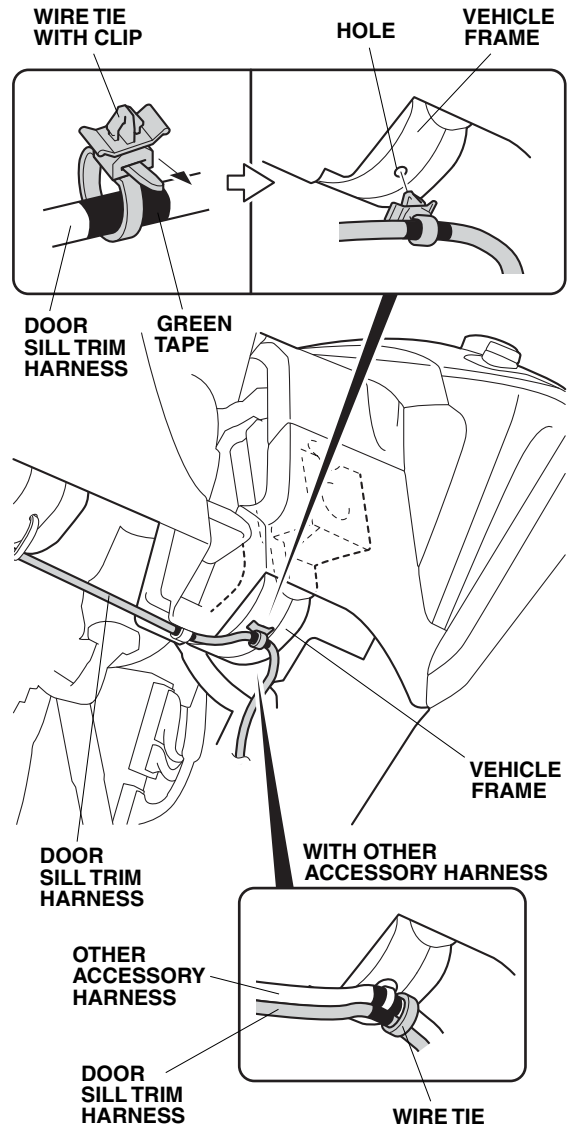
42. Route the door sill trim harness as shown. Align the green tape on the door sill trim harness with the drilled hole in the instrument panel, and secure the door sill trim harness to the instrument panel with one wire tie. If the vehicle is already equipped with other accessory harness, secure the door sill trim harness to the other accessory harness with one wire tie as shown.



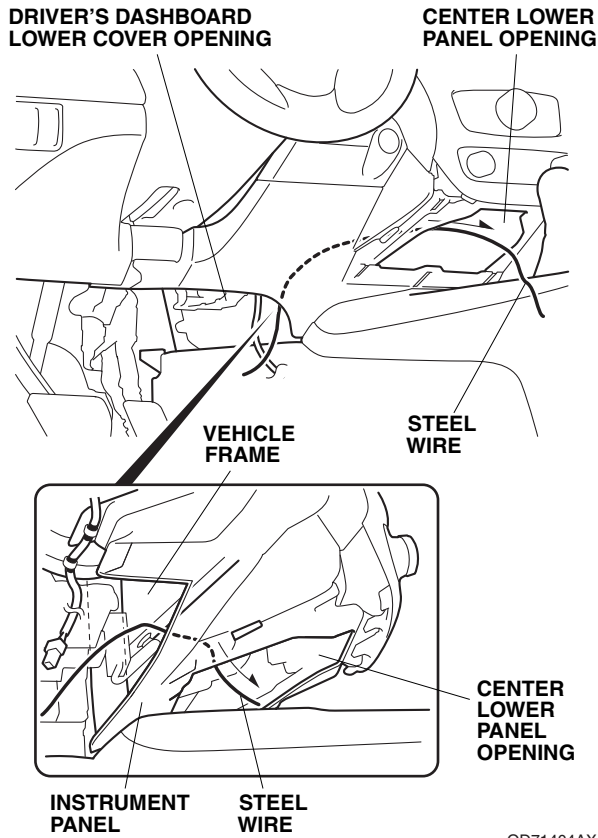
43. Secure the door sill trim harness to the vehicle frame with two wire ties as shown. If the vehicle is already equipped with other accessory harness, secure the door sill trim harness to the other accessory harness with one wire tie as shown.



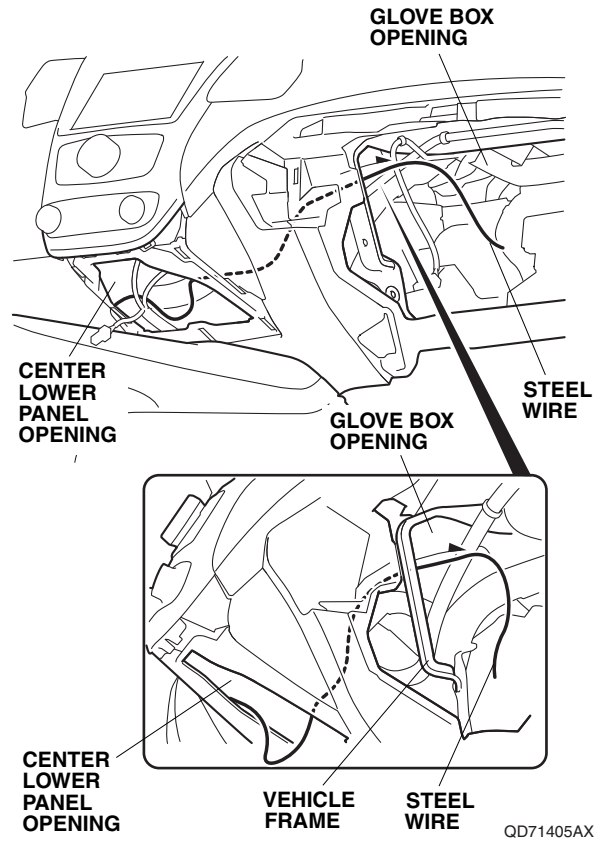
44. Attach one wire tie with clip around the green tape on the door sill trim harness, then secure the harness to the hole in the vehicle frame with the clip. If the vehicle is already equipped with other accessory harness, secure the door sill trim harness to the other accessory harness with one wire tie as shown.



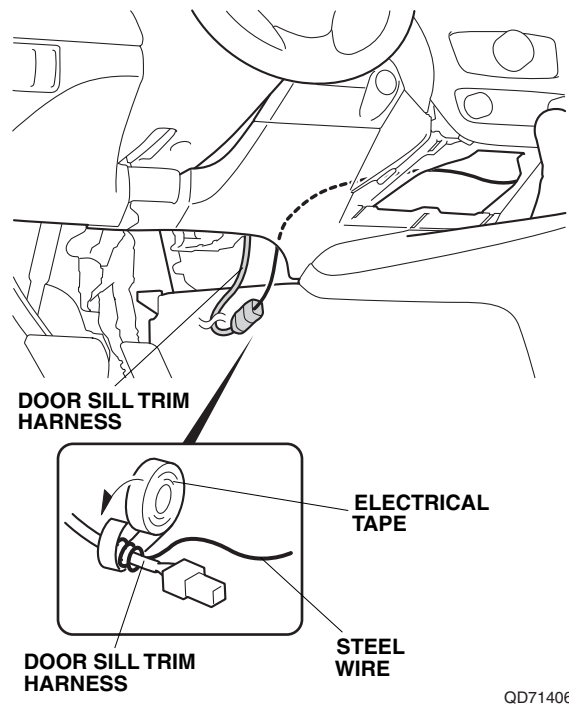
45. Route the steel wire from the driver's dashboard lower cover opening to the center lower panel opening.



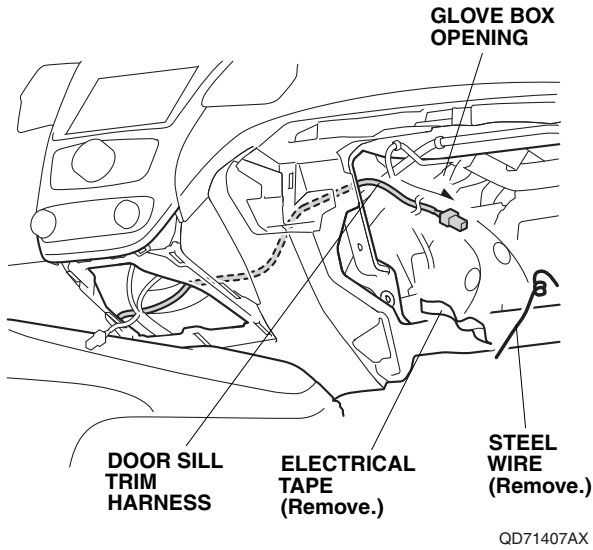
46. Route the steel wire from the center lower panel opening to the glove box opening.



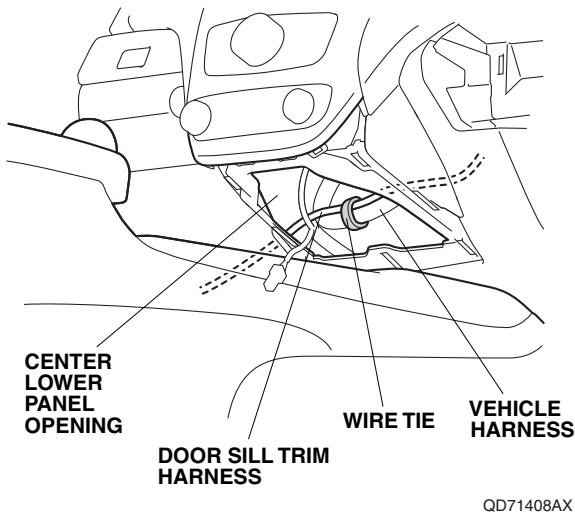
47. Attach the steel wire to the door sill trim harness with electrical tape.



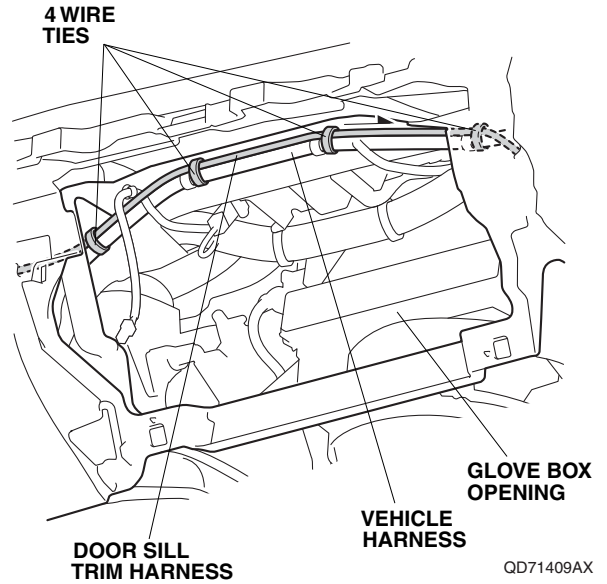
48. Route the door sill trim harness behind the dashboard. Then remove the electrical tape and steel wire.



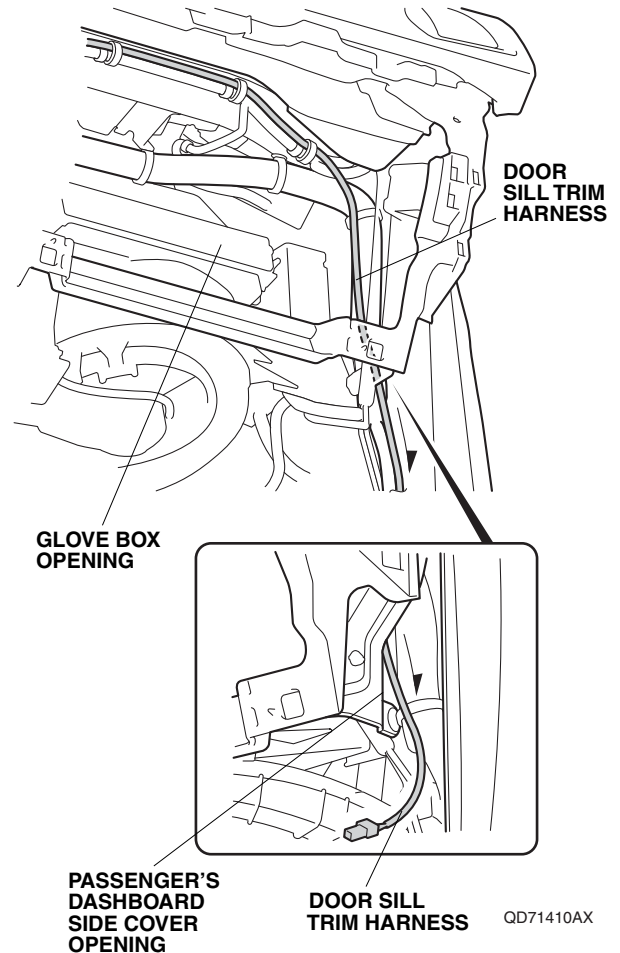
49. Secure the door sill trim harness to the vehicle harness with one wire tie.



50. Route the door sill trim harness along the vehicle harness, and secure it to the vehicle harness with four wire ties.

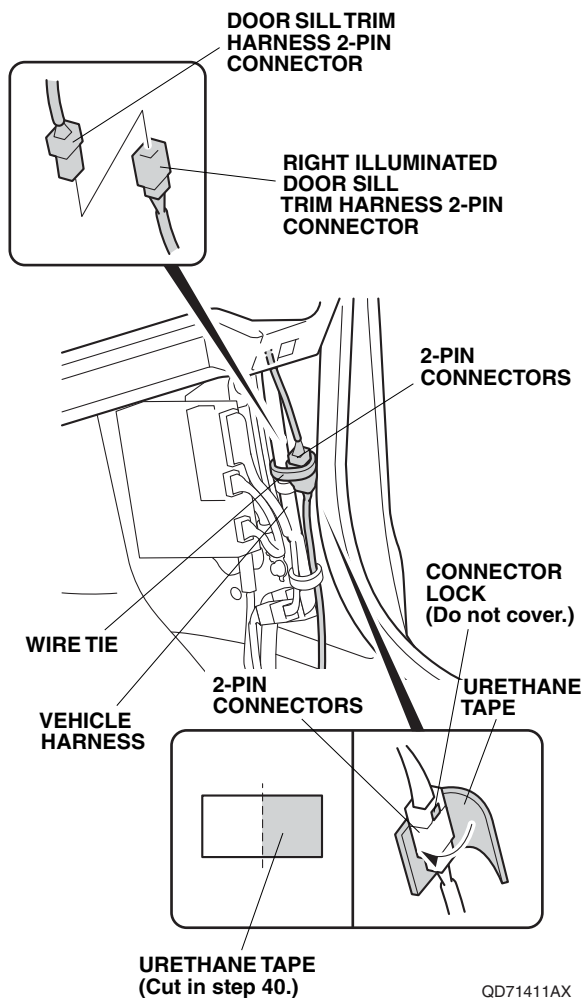


51. Route the door sill trim harness as shown.



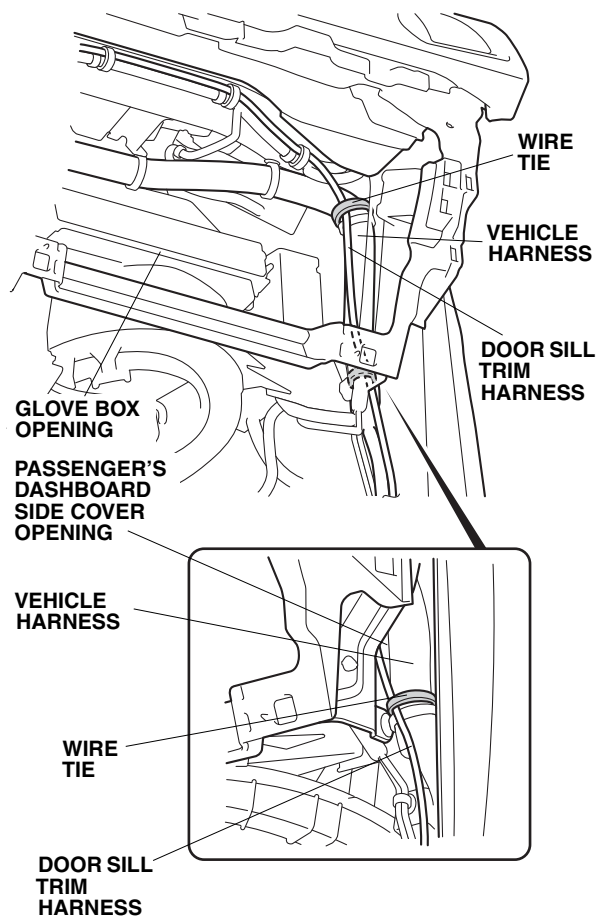


52. Plug the door sill trim harness 2-pin connector into the right illuminated door sill trim harness 2-pin connector.



53. Attach one piece of urethane tape cut in step 40 around the 2-pin connectors.
54. Secure the 2-pin connectors to the vehicle harness with one wire tie.

55. Secure the door sill trim harness to the vehicle harness with two wire ties.



56. Check that all wire harnesses are routed properly and all connectors are plugged in.
57. Reinstall all removed parts.
58. Reconnect the negative cable to the battery.
59. Press and hold the radio power button for two seconds to restore the radio and navi (if equipped) system functions.
60. Reset the clock on vehicle without navigation.
61. Restore the systems back to normal operation as described in the Service Manual if necessary.

### Check the Operation of the Illuminated Door Sill Trims

62. Make sure the light comes on when you open each door.