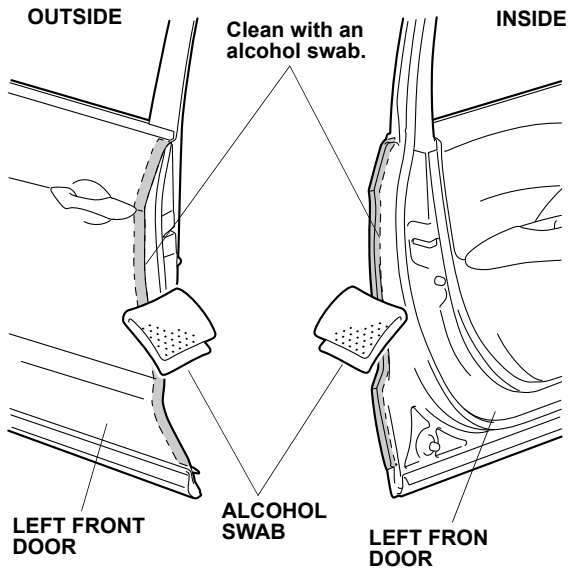
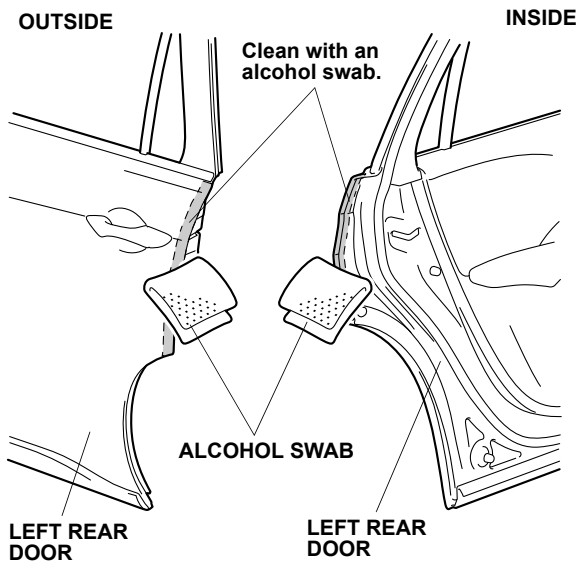




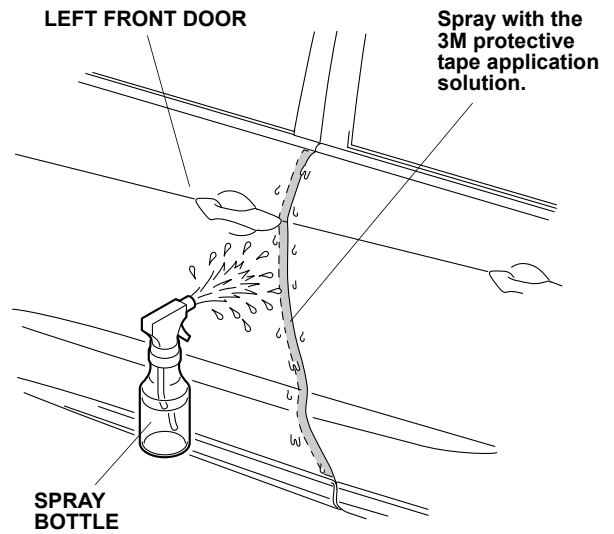
1. Open the left front door.
2. Using an alcohol swab, thoroughly clean the area where the left front door edge film will attach.



3. Close the left front door.
4. Open the left rear door.
5. Using an alcohol swab, thoroughly clean the area where the left rear door edge film will attach.

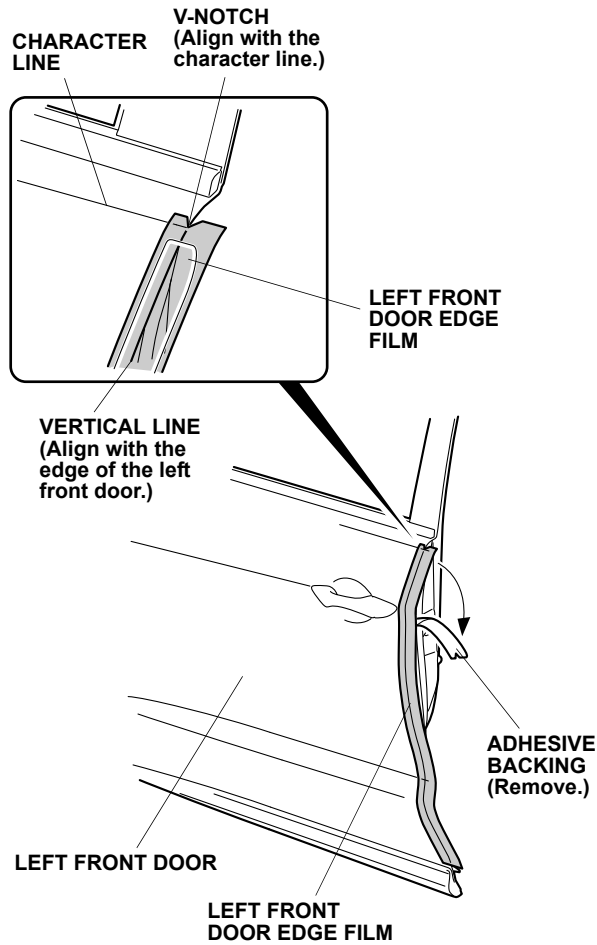


6. Close the left rear door.
7. Using a spray bottle with the 3M protective tape application solution, spray the outside of the left front door where the left front door edge film will attach. NOTE: Spray only the outer surface.



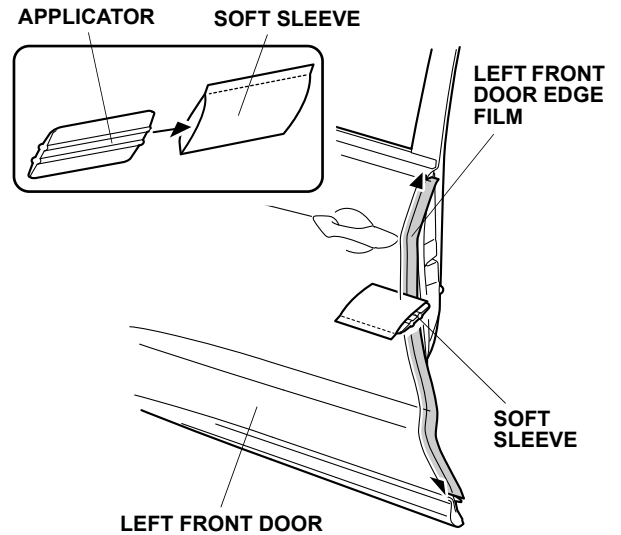
8. Open the left front door.

- Peel back the adhesive backing from the left front door edge film partway and align the v-notch on the left front door edge film to the character line on the left front door.

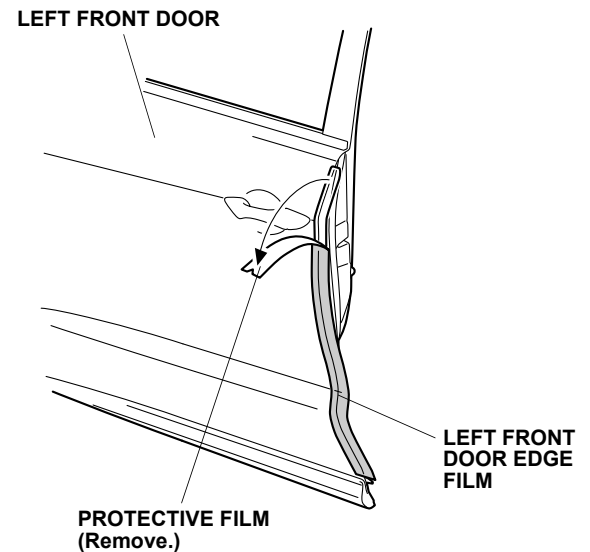


- Align the vertical line on the left front door edge film to the edge of the left front door. While applying light pressure, carefully remove the adhesive backing.

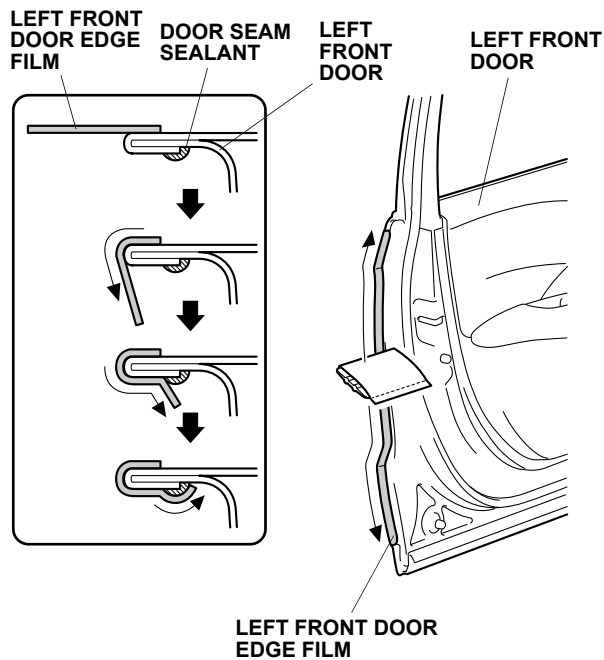
- Insert the applicator into the soft sleeve.



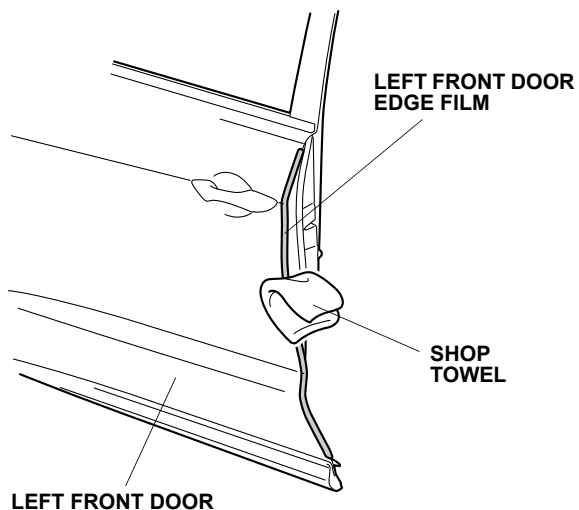
- Starting from the center and working outward, use the soft sleeve to smooth out the left front door edge film. Move the soft sleeve in one direction only.
- Slowly remove the protective film from the left front door edge film.



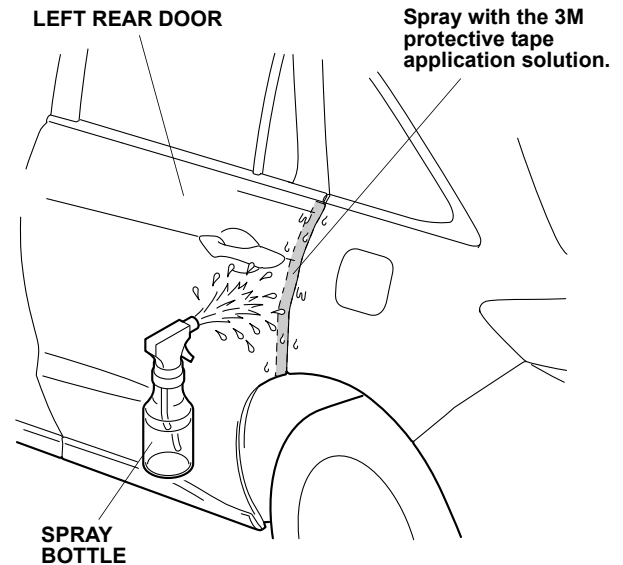
- Starting from the center and working outward, use your finger and the soft sleeve to fold the left front door edge film inside the left front door as shown. Move the soft sleeve in one direction only. Do not damage the door seam sealant.



- Using a shop towel, wipe the excess 3M protective tape application solution from the left front door edge film. Allow the left front door edge film to dry thoroughly.

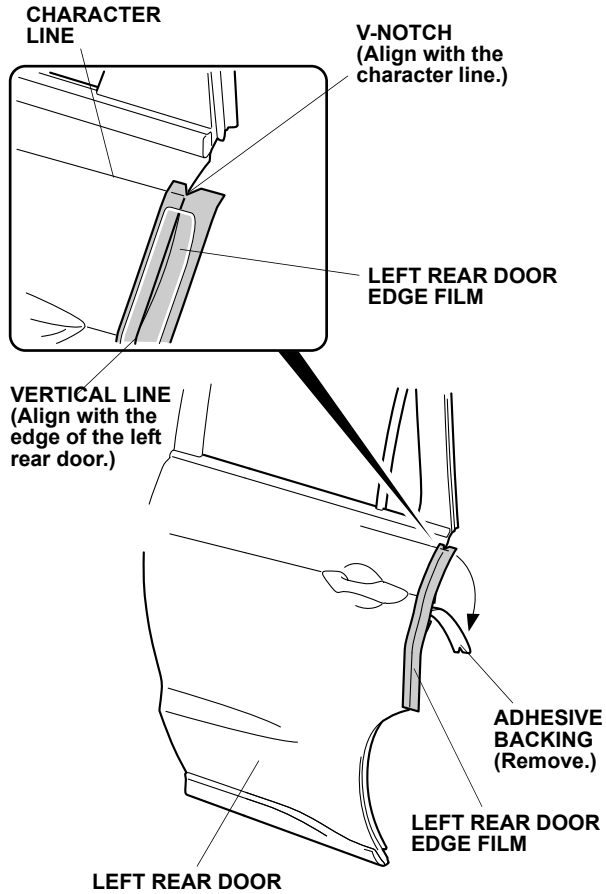


- Spray the outside of the left rear door where the left rear door edge film will attach with the 3M protective tape application solution. NOTE: Spray only the outer surface.



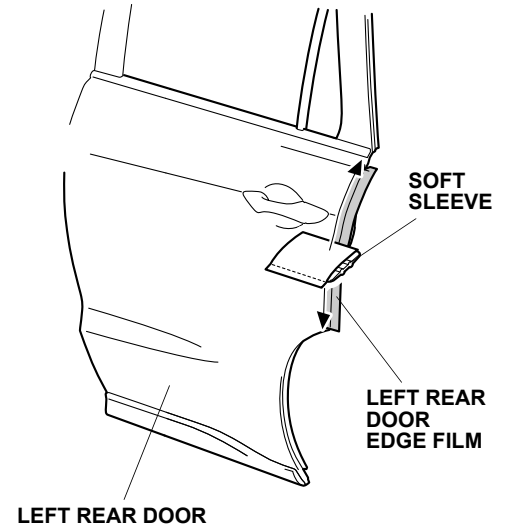
- Open the left rear door.

18. Peel back the adhesive backing from the left rear door edge film partway and align the v-notch on the left rear door edge film to the character line on the left rear door.



19. Align the vertical line on the left rear door edge film to the edge of the left rear door. While applying light pressure, carefully remove the adhesive backing.

20. Starting from the center and working outward, use the soft sleeve to smooth out the left rear door edge film. Move the soft sleeve in one direction only.



21. Slowly remove the protective film from the left rear door edge film.

