



INSTALLATION INSTRUCTIONS

Accessory

SPLASH GUARDS
P/N 08P00-TX6-220A

Application

2017 ILX

Publications No.

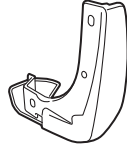
VERSION 1

Issue Date

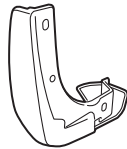
MAR 2016

PARTS LIST

Left front splash guard



Right front splash guard



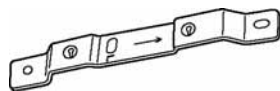
Left rear splash guard



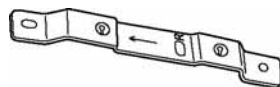
Right rear splash guard



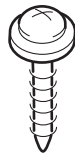
Left bracket



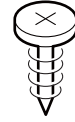
Right bracket



6 Self-tapping screws, 5 x 25 mm



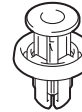
2 Self-tapping screws, 5 x 18 mm



4 Self-tapping screws, 5 x 16 mm



2 Clips



TOOLS AND SUPPLIES REQUIRED

Phillips screwdriver

Stubby Phillips screwdriver

Pushpin

High-quality paste wax

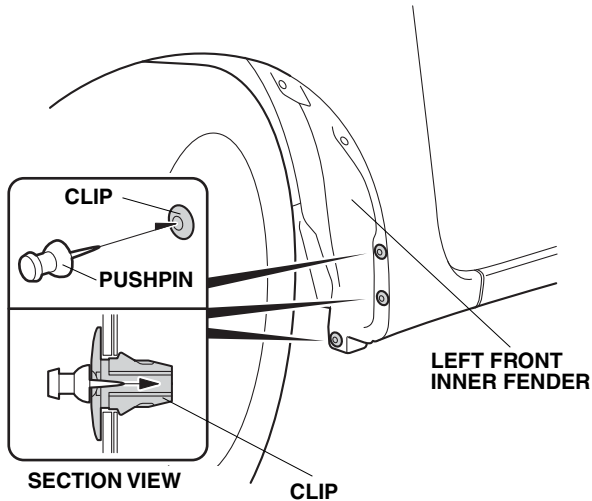
INSTALLATION

NOTE:

- Be careful not to damage the paint finish.
- Clean and wax the areas to be covered with a high-quality paste wax.

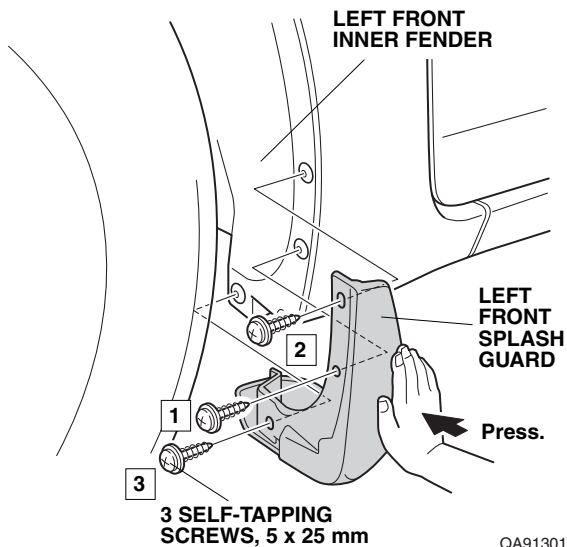
Installing the Front Splash Guards

1. Turn the steering wheel fully counterclockwise.



Q080301BJ

2. Locate three clips on the left front inner fender. Using a pushpin, pierce the center of each clip.
3. Install the left front splash guard onto the left front inner fender with the three 5 x 25 mm self-tapping screws, and tighten them in the order shown.
NOTE: Make sure there is no gap between the left front splash guard and the vehicle body. If there is a gap, loosen the self-tapping screws, press and hold the splash guard against the body with the palm of your hand, and retighten the screws.

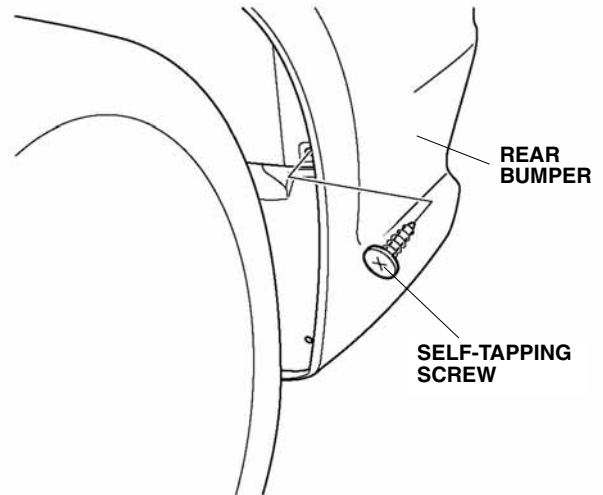


QA91301BJ

4. Turn the steering wheel fully clockwise, and repeat steps 2 and 3 to install the right front splash guard on the right side of the vehicle.

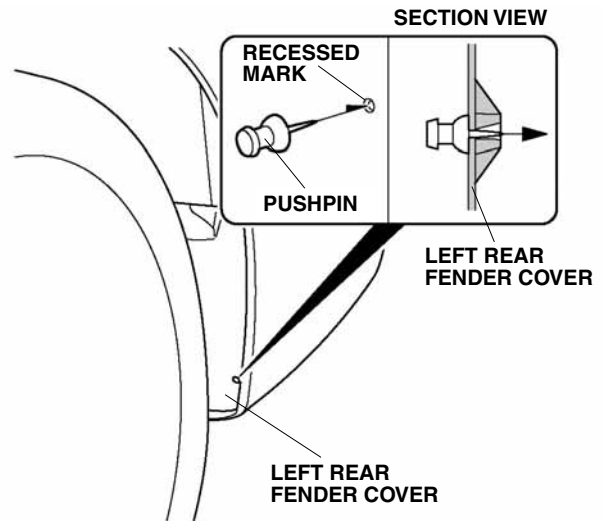
Installing the Rear Splash Guards

5. Locate and remove the self-tapping screw from the rear bumper.



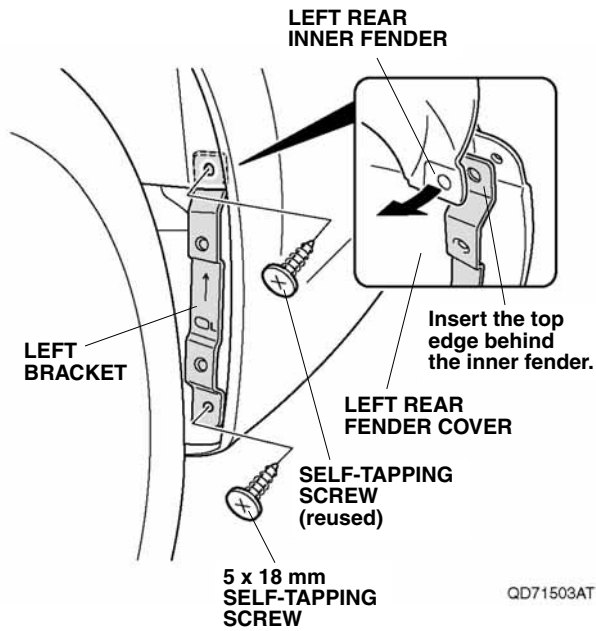
QD71501AT

6. Locate the recessed mark on the left rear fender cover. Using a pushpin, pierce the center of the recessed mark.

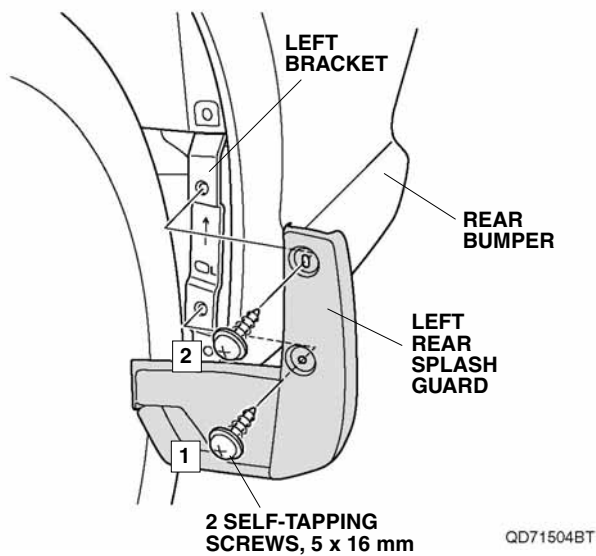


QD71502BT

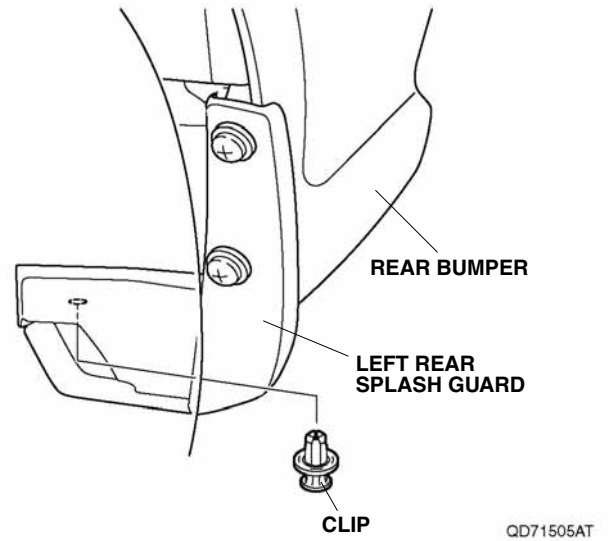
7. Insert the top edge of the left bracket behind the left rear inner fender, and reinstall the self-tapping screw.



8. Install the 5 x 18 mm self-tapping screw.
9. NOTE: Make sure there is no gap between the left rear splash guard and the bumper. If there is a gap, loosen the self-tapping screws, hold the splash guard against the bumper, and retighten the screws.



10. Secure the left rear splash guard to the rear inner under cover with one clip.



11. Repeat steps 5 through 10 to install the right rear splash guard on the right side of the vehicle.