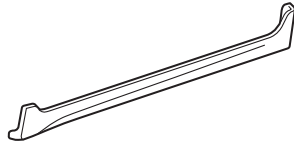
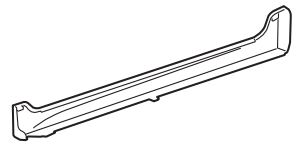


PARTS LIST

Left spoiler



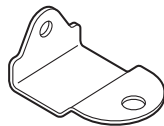
Right spoiler



2 Rails



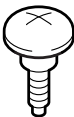
2 Brackets A



4 Self-tapping screws



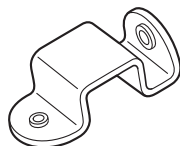
2 Bracket screws



4 Flare nuts



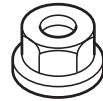
2 Clamps



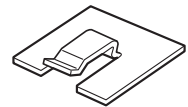
2 Screws



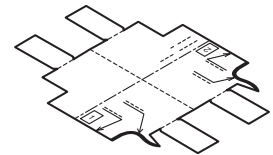
2 Washer-nuts



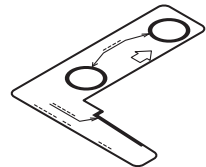
2 Brackets B



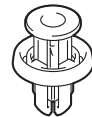
Template A



Template B



2 Clips



TOOL AND SUPPLIES REQUIRED

Phillips screwdriver
Isopropyl alcohol
Shop towel
Masking tape
Scissors
Ruler
Tape measure
Soap
Ratchet
10 mm Socket
Torque wrench
10 mm Open end wrench
Felt-tip pen
Utility knife
Touch-up paint

The following tool is available through the Honda Tool and Equipment Program. On the iN, click on: Service > Service Bay > Tool and Equipment Program, then enter the number under "Search". Or, call 888-424-6857.

Rubber Roller (T/N MHLE54D)

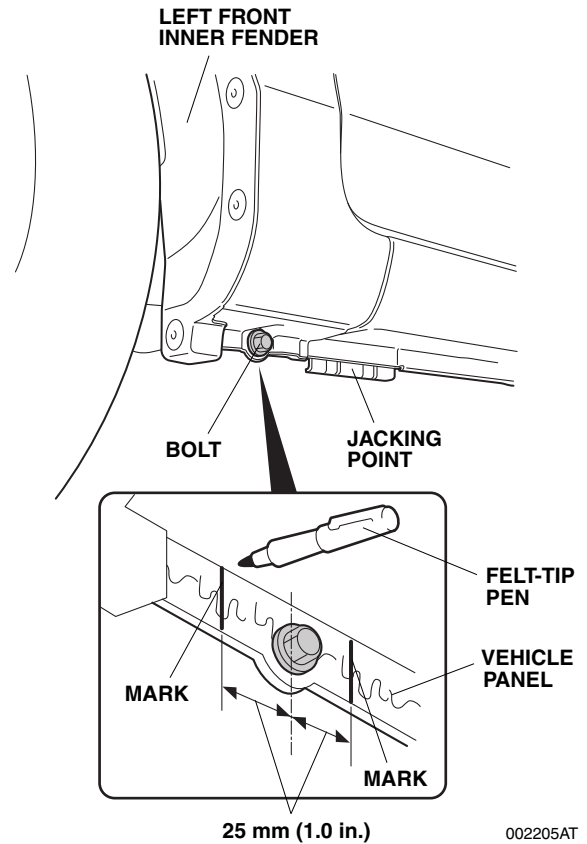
INSTALLATION

Client Information: The information in this installation instruction is intended for use only by skilled technicians who have the proper tools, equipment, and training to correctly and safely add equipment to your vehicle. These procedures should not be attempted by "do-it-yourselfers."

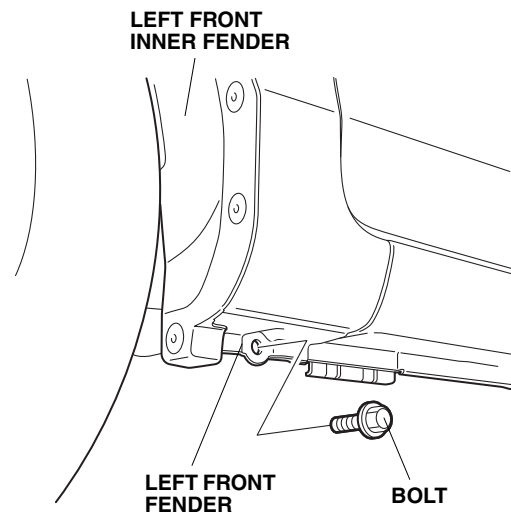
NOTE:

- These installation instructions show the left spoiler being installed. The same procedure applies to installing the right spoiler.
- Be careful not to damage the paint finish.
- Thoroughly clean the bottom of the body from the rear of the front wheels to the front of the rear wheels.
- This side under spoilers kit should be installed only if the ambient air temperature is 15° C (60° F) or above.
- To allow the adhesive to cure, do not wash the vehicle for 24 hours. Please advise the client.

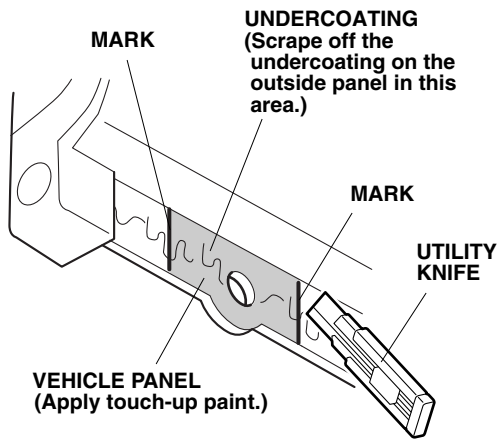
1. Using a felt-tip pen, mark the vehicle panel as shown.



2. Remove the bolt from the bottom of the left front fender.

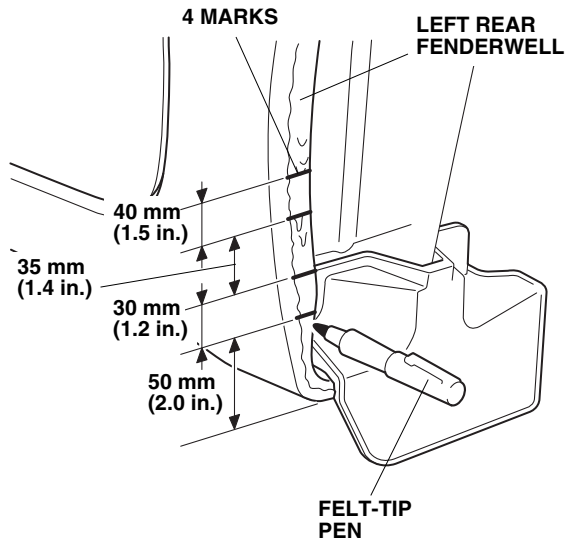


- Using a utility knife, remove the undercoating in the area shown.



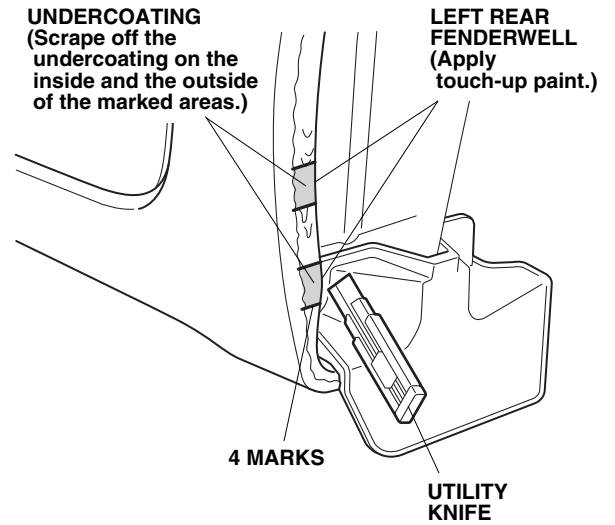
QAN0401AJ

- Apply touch-up paint to the area where the undercoating was removed, and allow it to dry thoroughly.
- Using a felt-tip pen, mark the left rear fenderwell as shown.



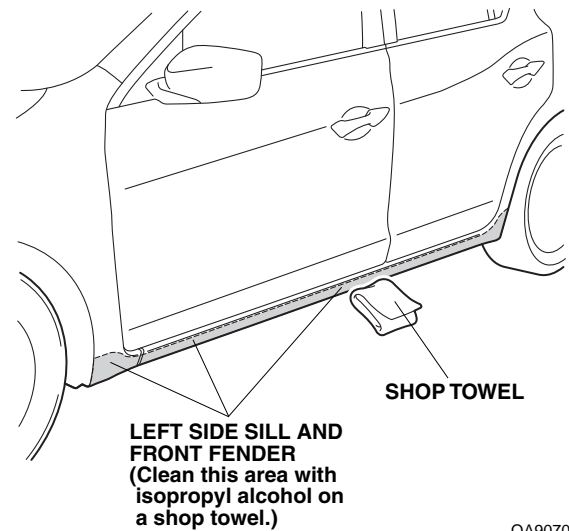
QA90701BJ

- Using a utility knife, remove the undercoating in the areas shown.



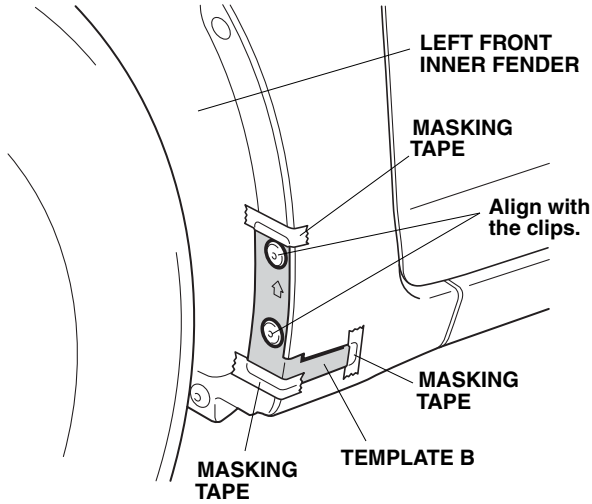
QA90702AJ

- Apply touch-up paint to the area where the undercoating was removed, and allow it to dry thoroughly.
- Using isopropyl alcohol on a shop towel, thoroughly clean the left side sill and front fender where the left spoiler will attach.



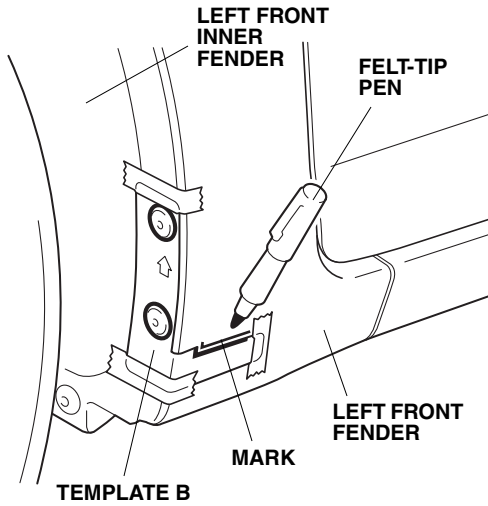
QA90703AJ

- Align template B with the two clips, and attach it to the left front fender with masking tape.



QA90704AJ

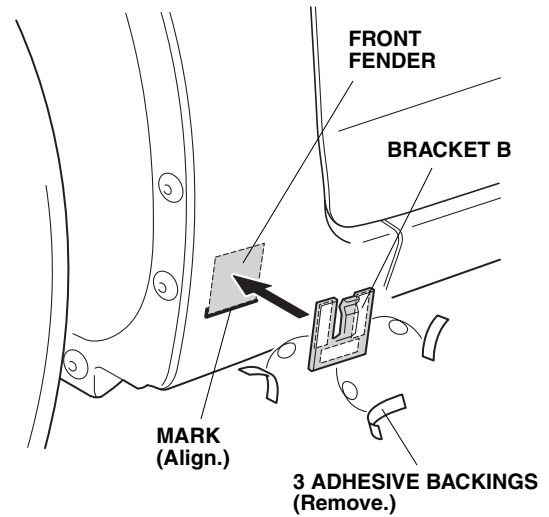
- Using a felt-tip pen, mark the left front fender as shown.



QA90705AJ

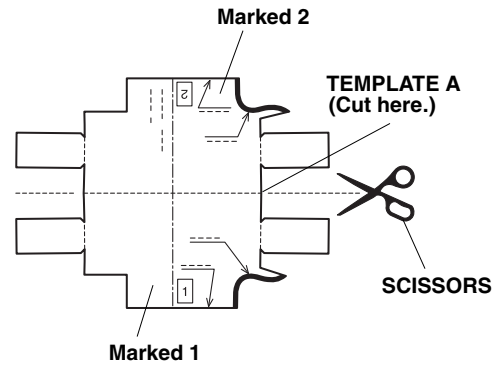
- Carefully remove template B. Do not damage the template as it will also be used to mark the right side of the vehicle.

- Remove the adhesive backings from bracket B. Align bracket B with the mark and attach it to the front fender. Press and hold bracket B firmly against the fender for 30 seconds.



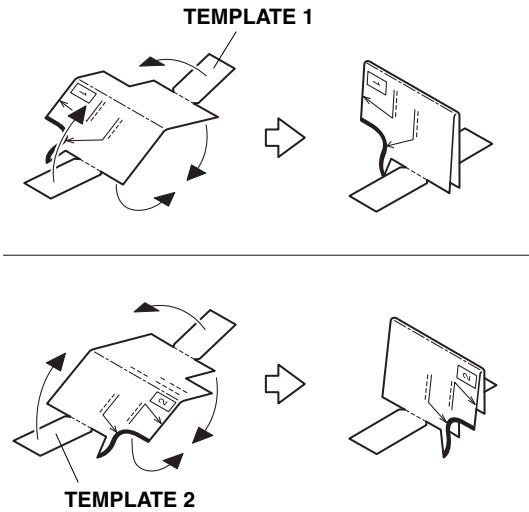
QA90706AJ

- Using scissors, cut template A in half to create two templates. The templates are marked 1 and 2.



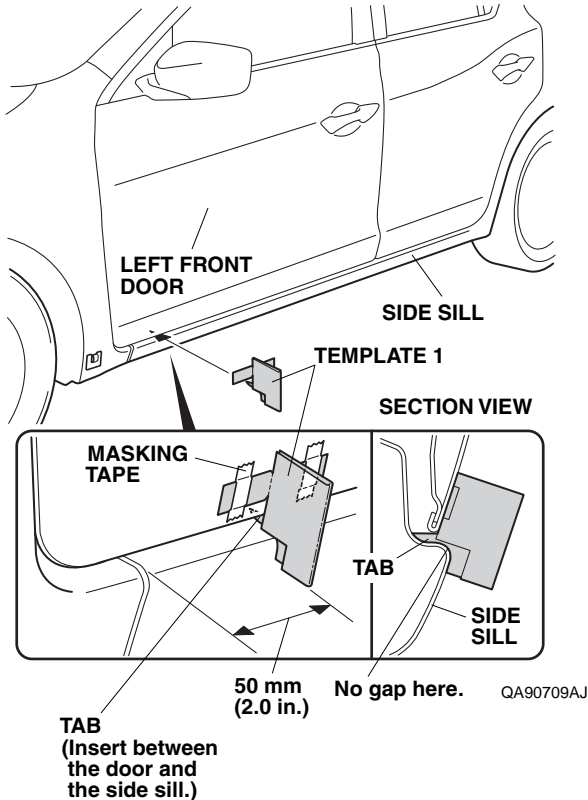
QA90707AJ

14. Fold each template as shown (Template 1 is used to mark the front of the side sill, and template 2 is used to mark the rear of the side sill.).

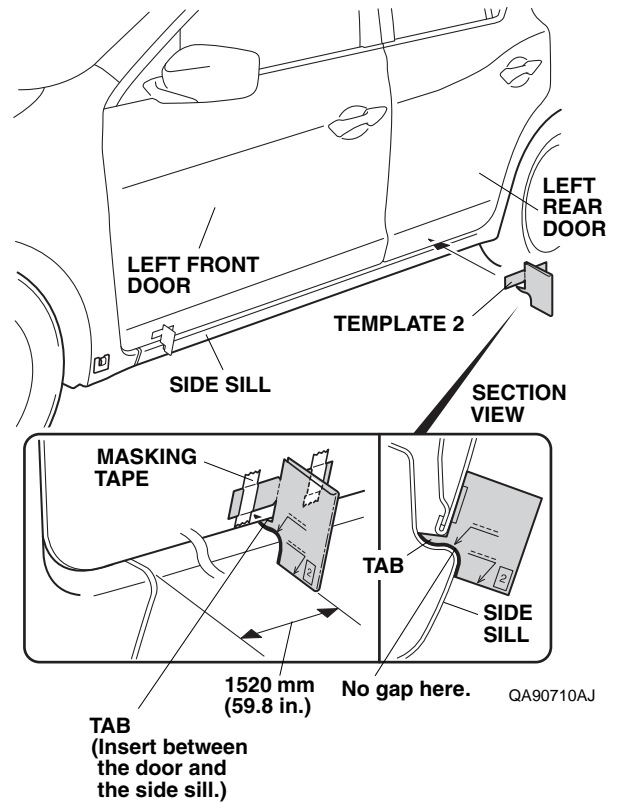


QA90708AJ

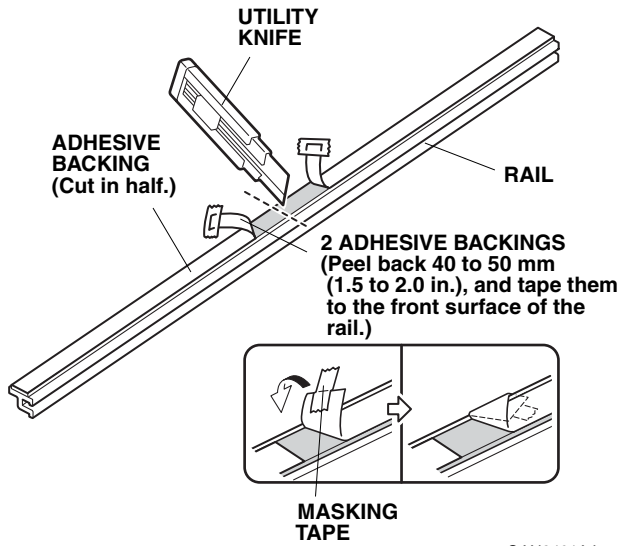
15. Insert the tab on template 1 into the gap between the left front door and the side sill as shown. With the template flush against the side sill, tape the template to the door. There should be no gap between the template and the side sill.



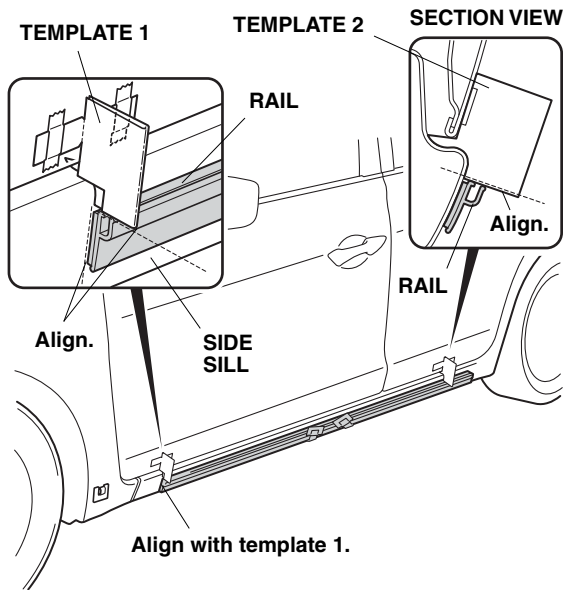
16. Insert the tab on template 2 into the gap between the left rear door and the side sill as shown. With the template flush against the side sill, tape the template to the door. There should be no gap between the template and the side sill.



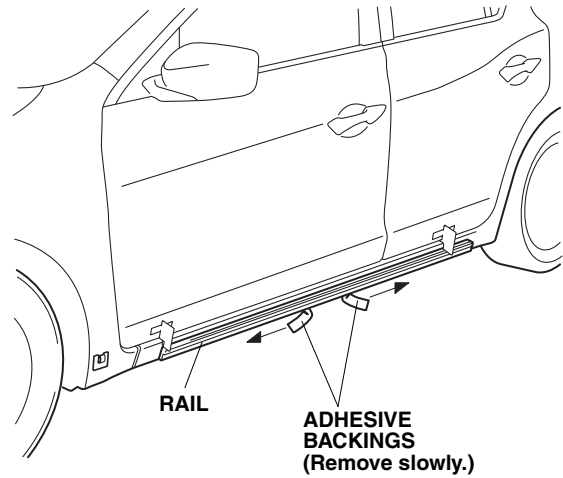
17. Using a utility knife, cut the adhesive backing in half as shown.



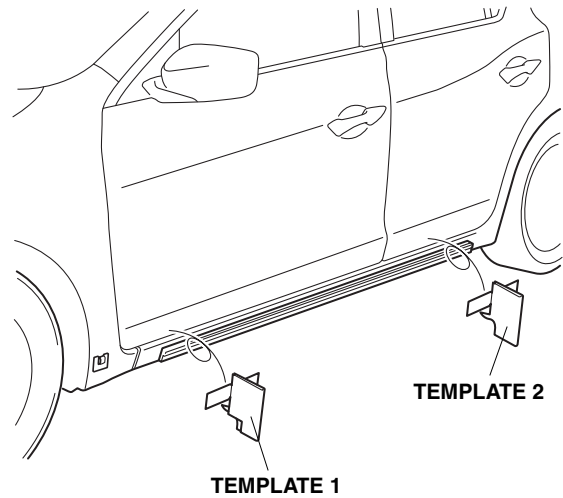
18. Peel back about 40 to 50 mm (1.5 to 2.0 in.) of adhesive backing from each adhesive strip and tape the ends to the front surface of the rail.
19. With the help of an assistant, apply light pressure against the rail while aligning the front edge with the template 1. Move the rail up flush against each template and attach to the side sill.



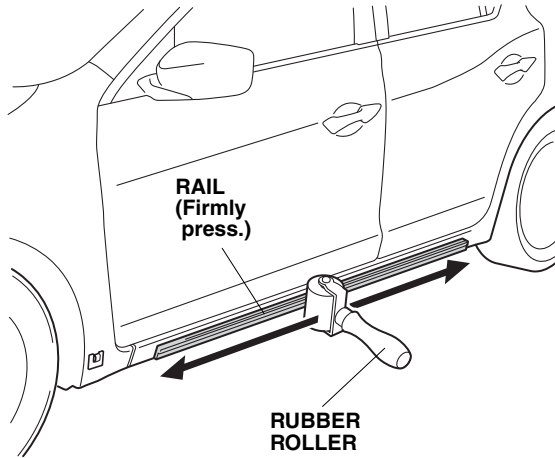
20. While holding the rail in place, slowly and carefully remove each adhesive backing.



21. Remove both templates. Be careful not to damage the templates, they will be used on the right side of the vehicle.

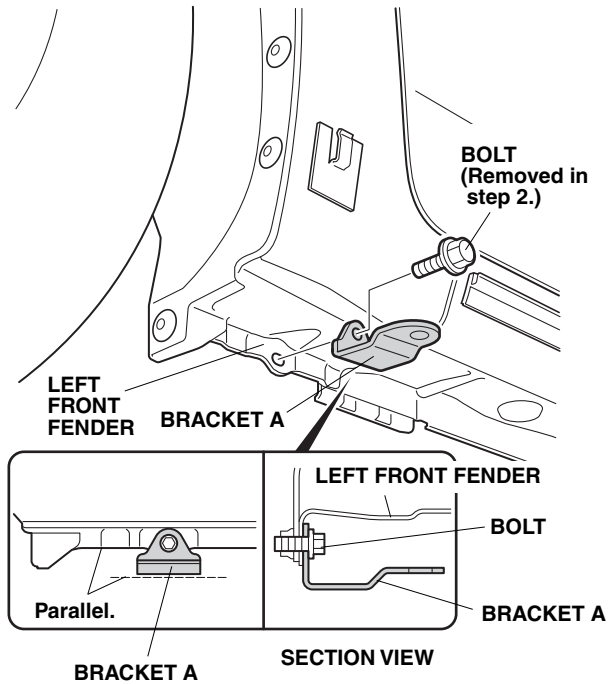


22. Using the palm of your hand, firmly press the rail against the side sill for 30 seconds. Using a rubber roller, set the adhesive.



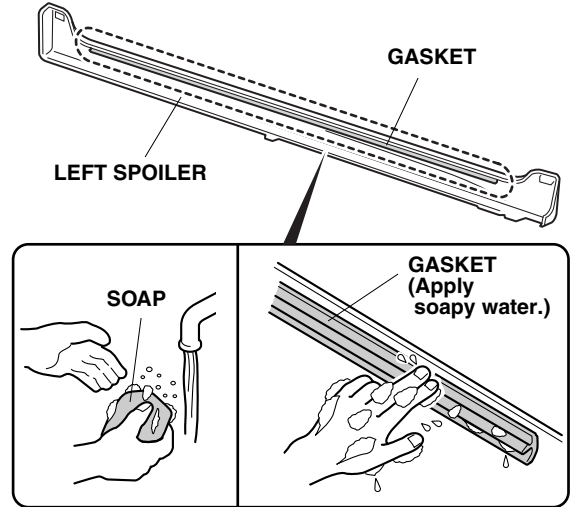
QA90715BJ

23. Secure one bracket A to the left front fender using the bolt removed in step 2. Torque the bolt to 10 N·m (7.5 lbf·ft).



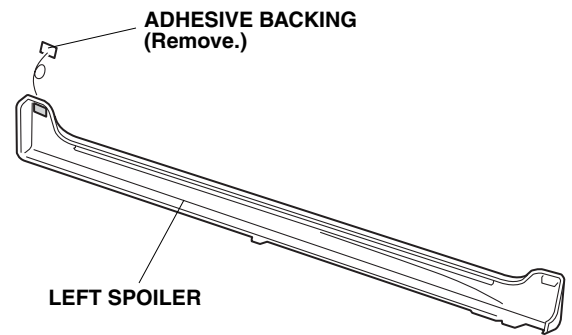
QA90716AJ

24. Wash your hands with soap and leave a small amount of soap on your fingers. Apply the soapy water to the gasket on the left spoiler.
NOTE: Do not use organic solvent (e.g. thinner, benzene, gasoline, etc.) or an acid or alkaline solution.



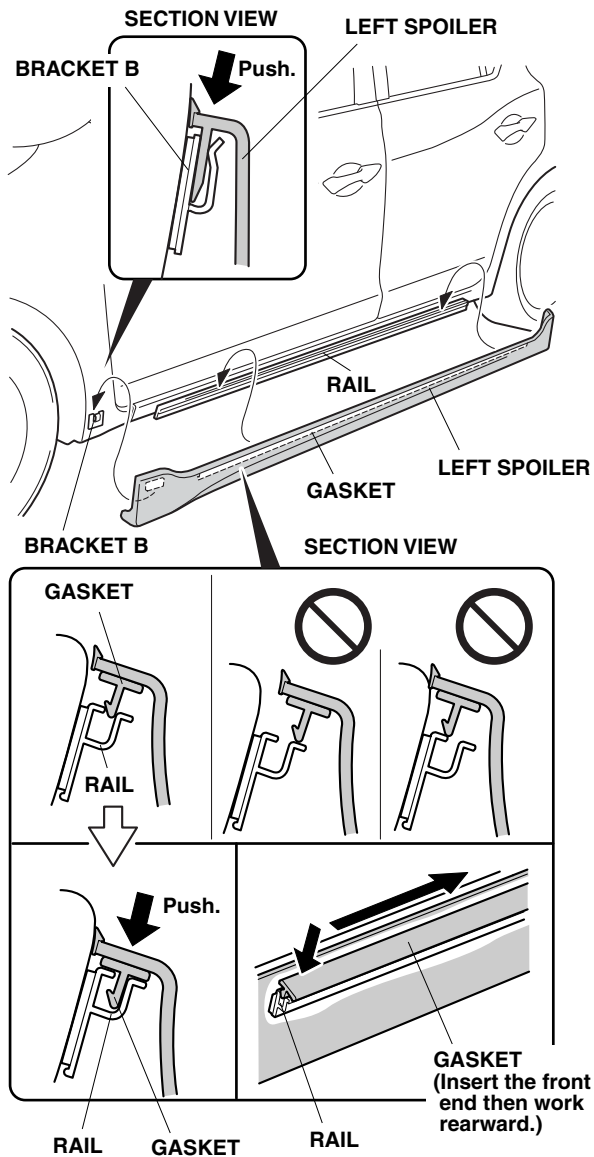
QA90718AJ

25. Remove the adhesive backing from the left spoiler.



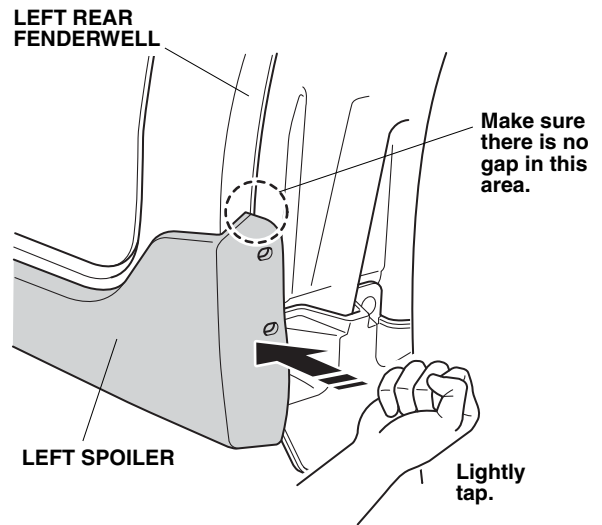
QA90717AJ

26. Insert the spoiler bracket into bracket B, and align the spoiler gasket to the rail. Insert the front end of the gasket into the rail first, then work rearward. Move the left spoiler gently up and down while checking that the gasket is installed securely in the rail.



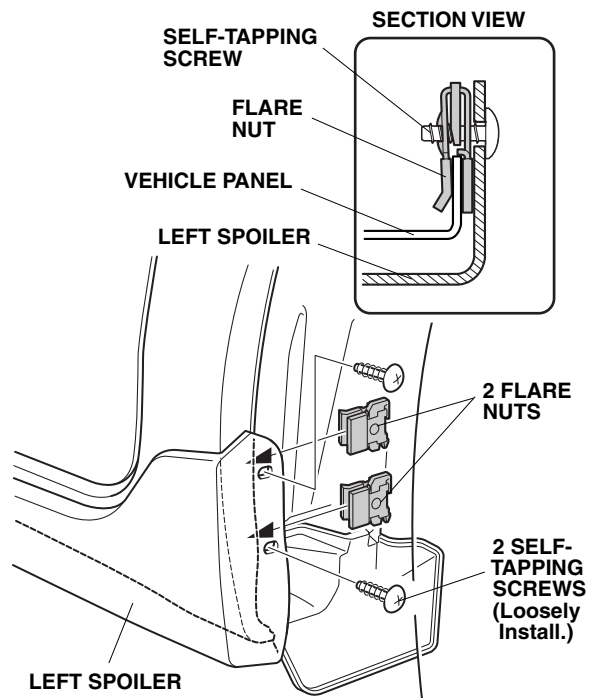
QA90719AJ

27. Lightly tap the left spoiler to remove any gap between the left spoiler and the left rear fenderwell.



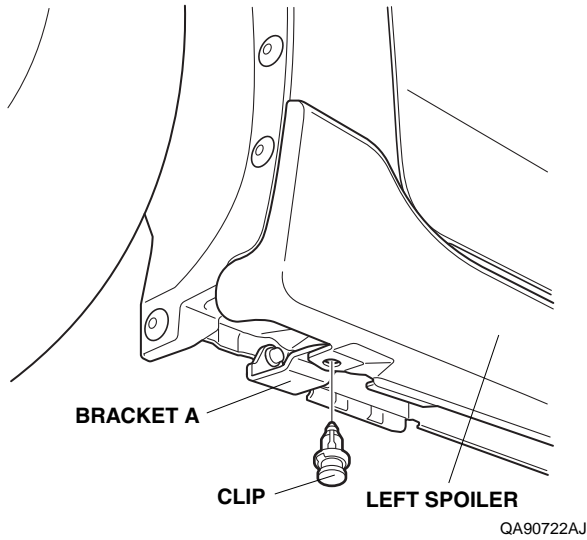
QA90720AJ

28. Loosely install two flare nuts and two self-tapping screws. Make sure to install the flare nuts in the correct position and orientation.

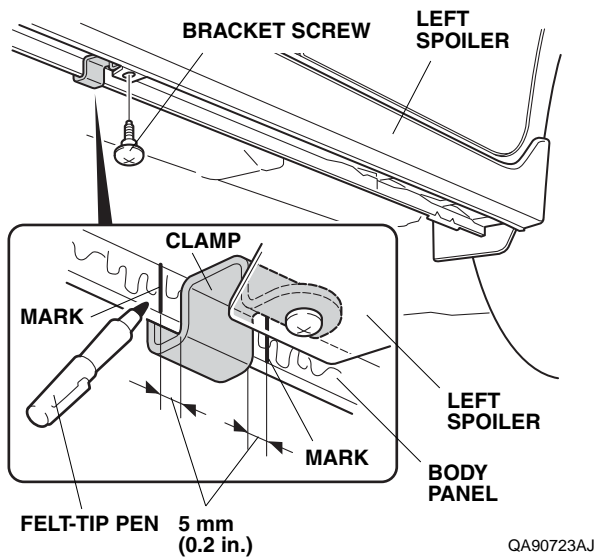


QA90721BJ

29. Secure the left spoiler to bracket A with one clip.

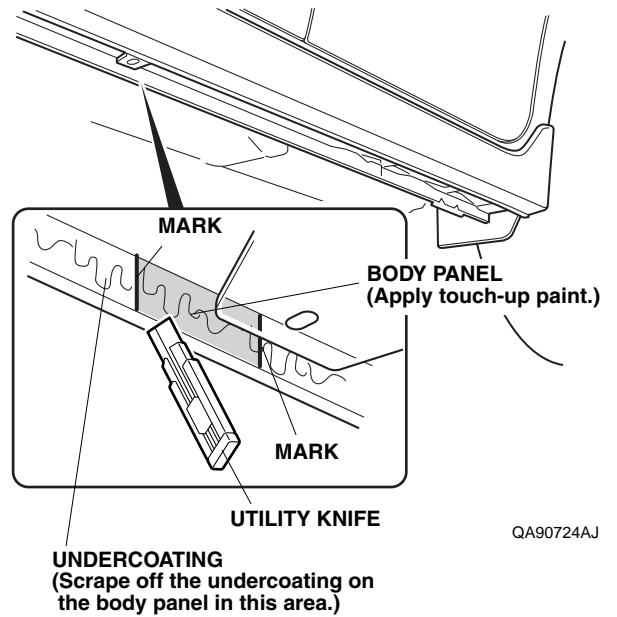


30. Install the clamp using one bracket screw.

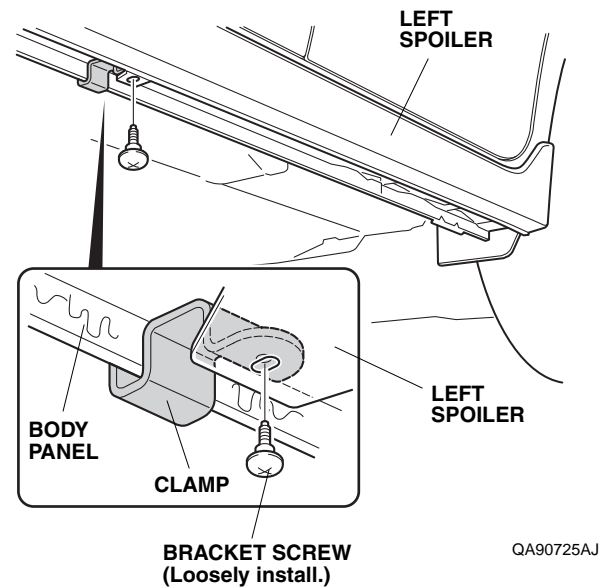


31. Using a felt-tip pen, mark the body panel as shown.
32. Remove the clamp and bracket screw.

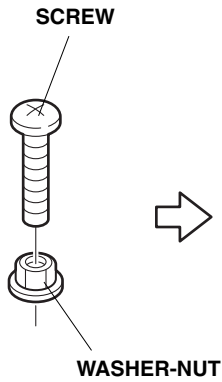
33. Using a utility knife, remove the undercoating in the area shown.



34. Apply touch-up paint to the area where the undercoating was removed and allow it to dry thoroughly.
35. Loosely reinstall the clamp using the bracket screw.

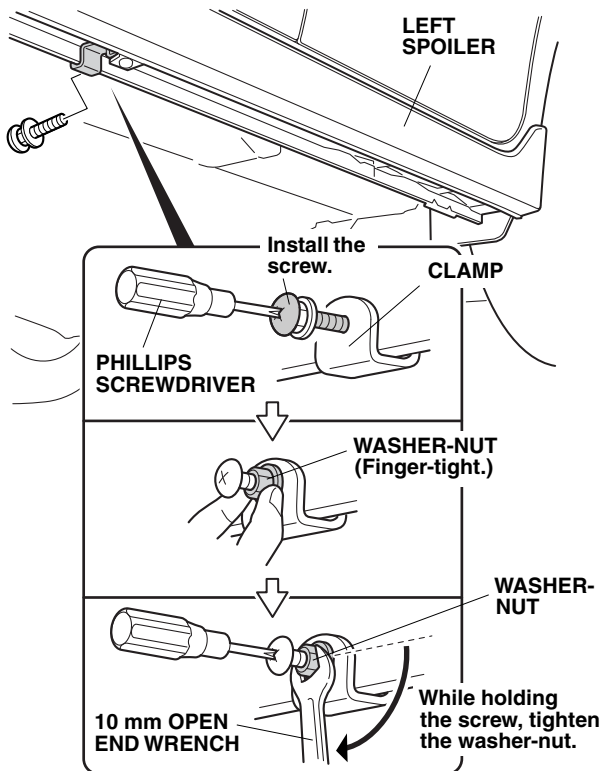


36. Assemble the screw and the washer-nut.



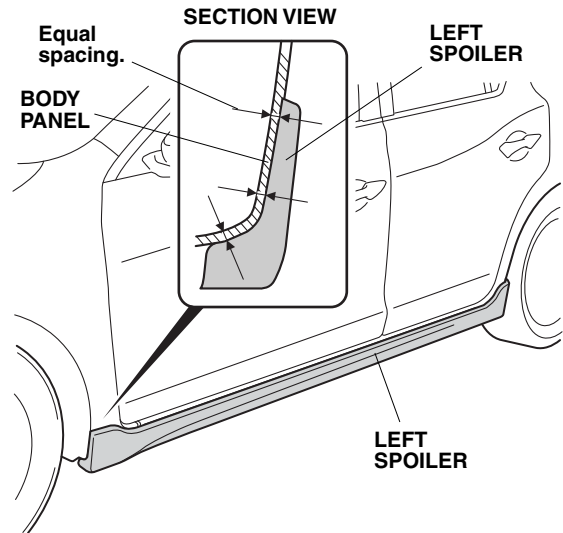
Q0N1120AJ

37. Install the screw into the clamp with a Phillips screwdriver, then finger-tighten the washer-nut against the clamp. While holding the screw, tighten the washer-nut.



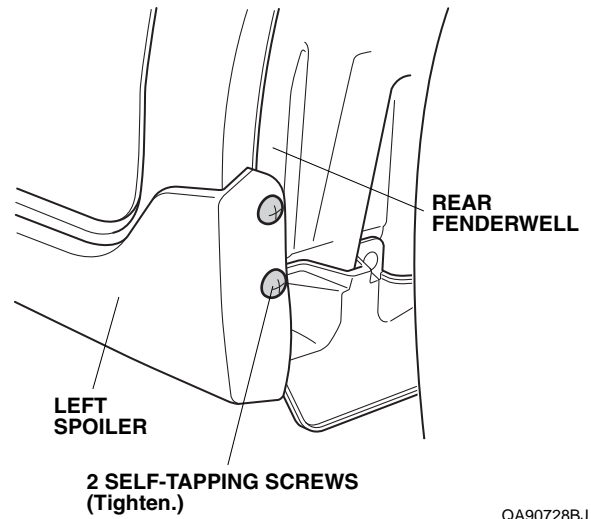
QA90726AJ

38. Adjust the gap between the spoiler and the body panel.



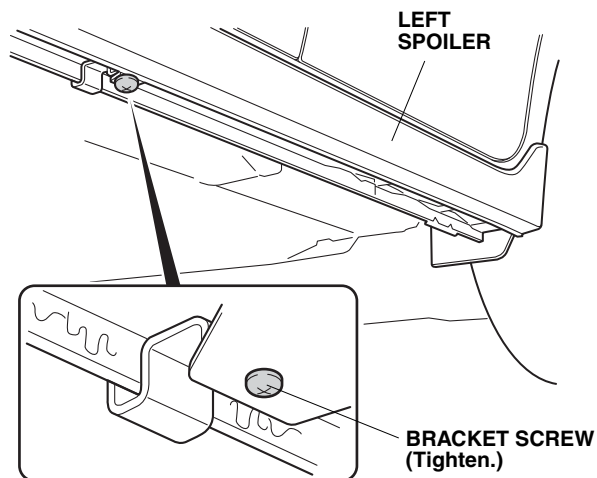
QA90727AJ

39. At the rear fenderwell, tighten the two self-tapping screws.



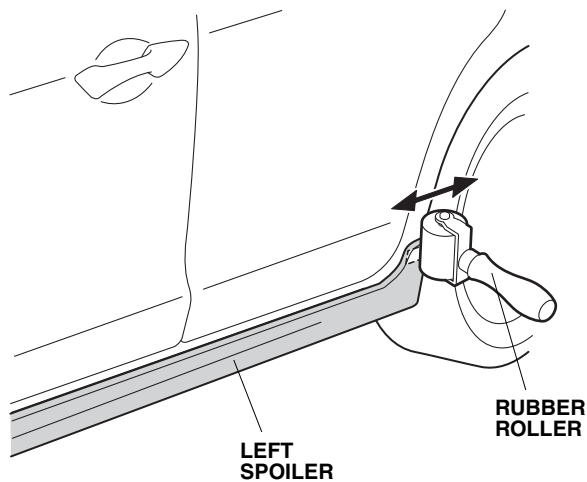
QA90728BJ

40. Tighten the bracket screw.



QA90729AJ

41. Using a rubber roller, apply firm pressure, especially at the ends to set the adhesive.



QA90730AJ

42. Repeat steps 1 through 41 to install the spoiler on the right side of the vehicle.