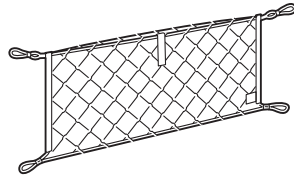


PARTS LIST

Cargo net



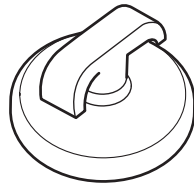
2 Anchors A (small)



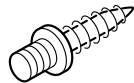
2 Bolts



4 Anchors B (large)



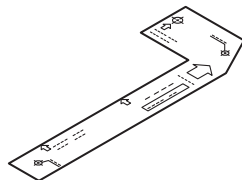
4 Self-tapping screws



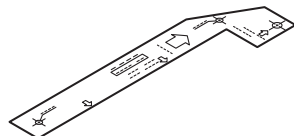
2 Rivet nuts



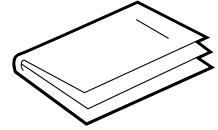
Template R



Template L



Accessory User's Information Manual



TOOLS AND SUPPLIES REQUIRED

19 mm Open end wrench

Pushpin

Drill

3 mm, 5.5 mm, and 9 mm Drill bits

Eye protection (face shield, safety goggles, etc.)

Touch-up paint

Hex wrench

Masking tape

Tape

Ruler

The following tools are available through the Honda Tool and Equipment Program. On the iN, click on: Service > Service Bay > Tool and Equipment Program, then enter the number under "Search". Or, call 888-424-6857.

Trim Tool Set (T/N SOJATP2014)

Rivet Nut Tool, 6 mm (T/N 07AAE-000A100)

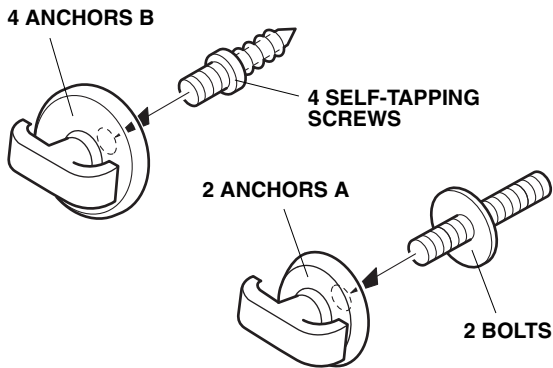
Deburring Tool (T/N DEBUR300)

INSTALLATION

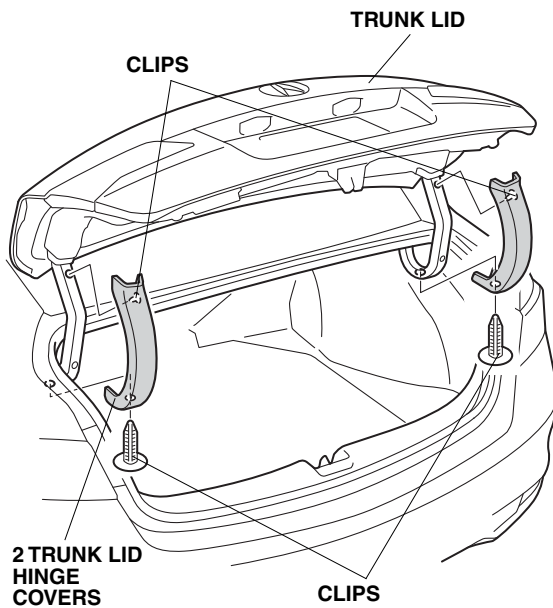
Client Information: The information in this installation instruction is intended for use only by skilled technicians who have the proper tools, equipment, and training to correctly and safely add equipment to your vehicle. These procedures should not be attempted by "do-it-yourselfers."

NOTE: Be careful not to damage the body.

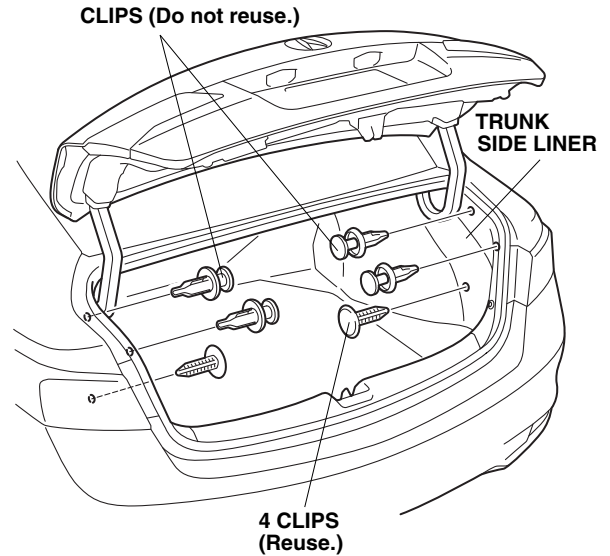
1. Install a bolt into each anchor A, and install a self-tapping screw into each anchor B.



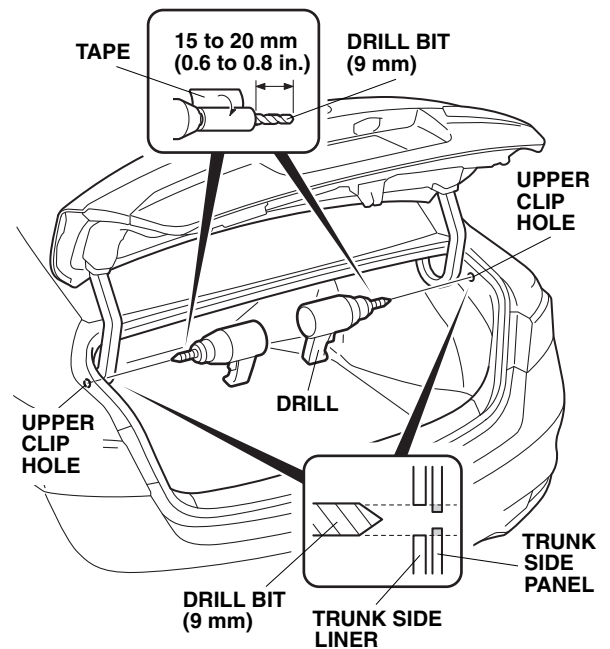
2. Open the trunk. Remove each trunk lid hinge cover.



3. Remove the three clips from each trunk side liner.

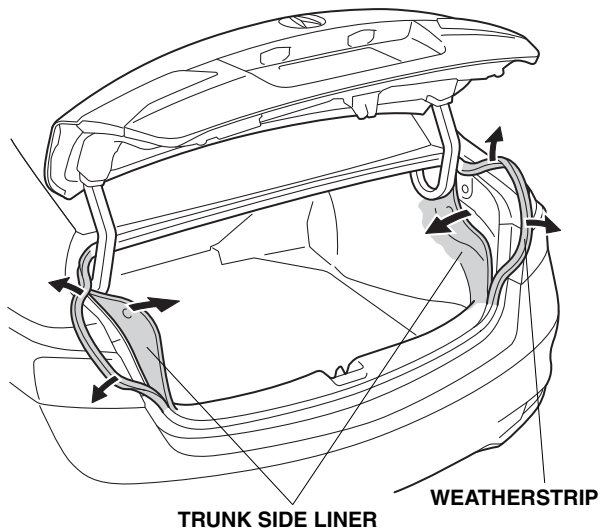


4. While wearing eye protection, use a 9mm drill to enlarge the two upper clip holes. Wrap tape around the drill bit 15 to 20 mm (0.6 to 0.8 in.) from the tip of the bit.

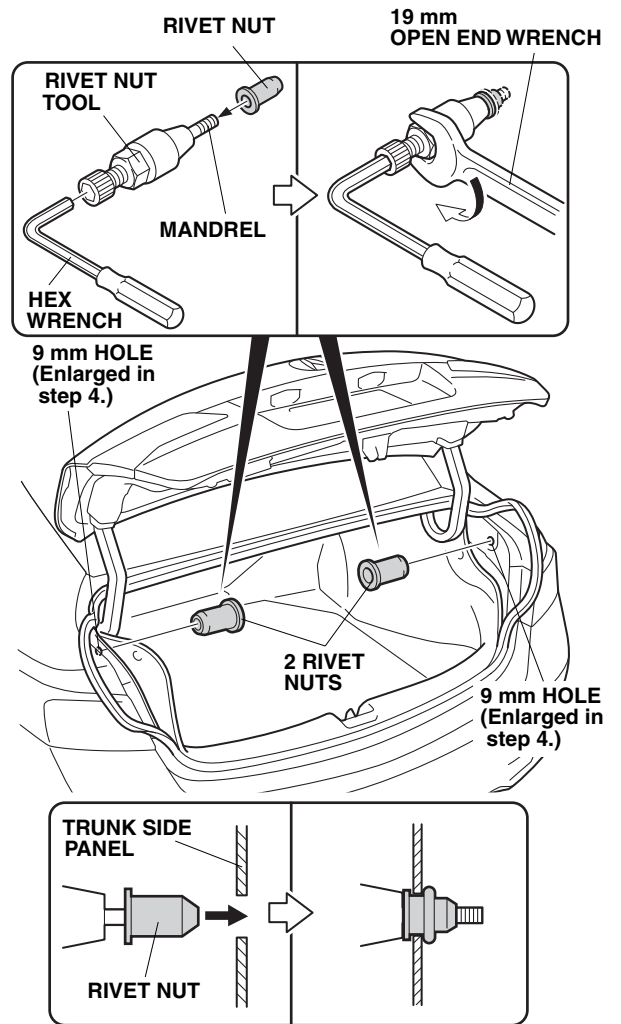


5. Use a deburring tool to remove any burrs from the edges of the holes. Apply touch-up paint and allow it to dry thoroughly.

- Pull away the weatherstrip in the areas shown, and gently fold the trunk side liner down and out of your way.

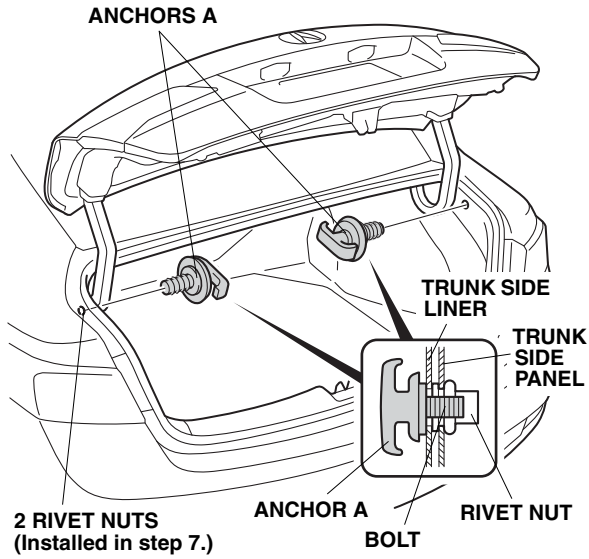


- Thread the rivet nut onto the mandrel of the rivet nut tool as shown.

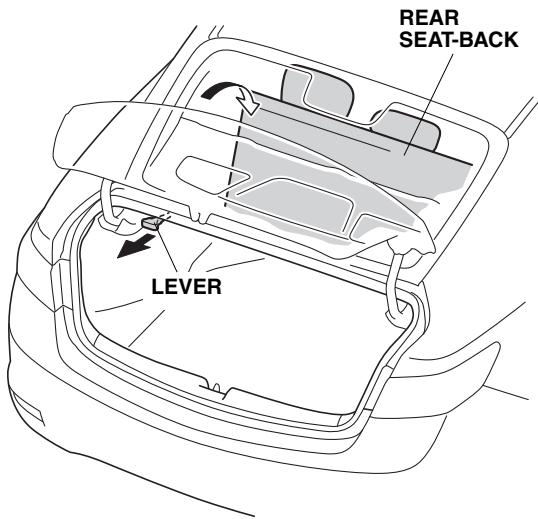


- Insert the rivet nut into the hole in the trunk right side panel. Install the hex wrench on the rivet nut tool.
- While holding the rivet tool with the hex wrench, turn the 19 mm open end wrench clockwise to install the rivet nut to the trunk right side panel.
- Remove the tool from the rivet nut by turning the hex wrench counterclockwise.
- Repeat steps 7 through 10 to install a rivet nut into the hole on the left side of the trunk.
- Reinstall the trunk side liner and weatherstrip on each side.
- Reinstall the clips removed in step 3.

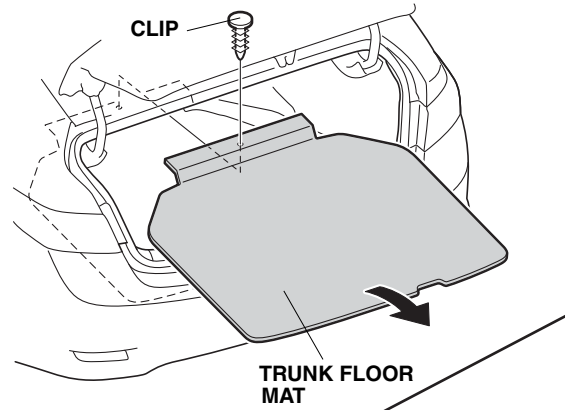
14. Install one anchor A into each rivet nut.



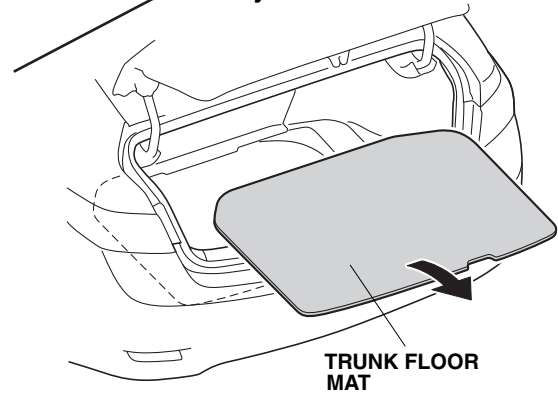
15. **Non-Hybrid Vehicle:** Pull the lever to fold the rear seat-back forward.



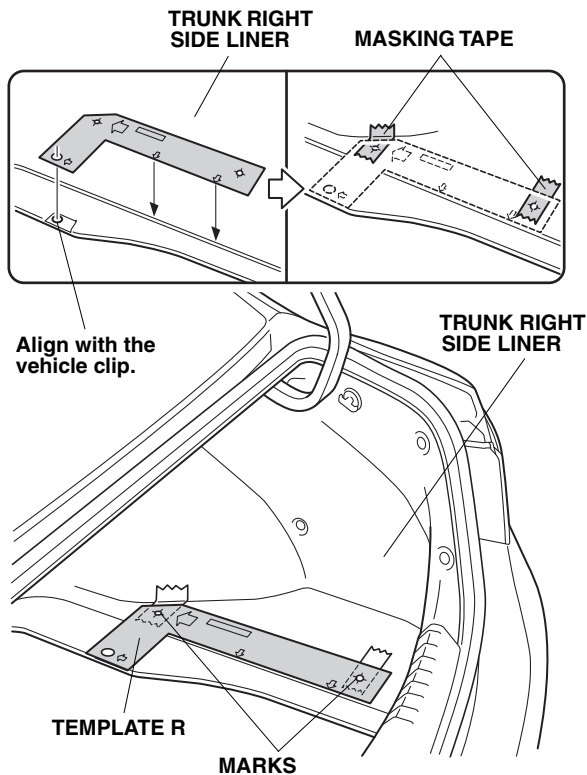
16. Remove the trunk floor mat.
Non-Hybrid Vehicle: Remove the clip.



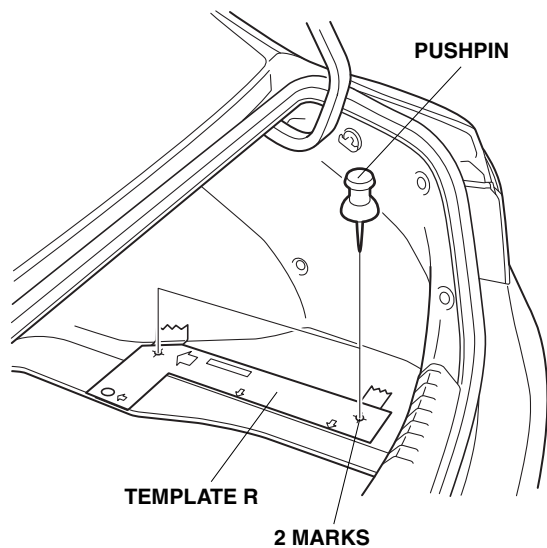
Hybrid Vehicle



17. Place template R on the trunk right side liner in the area shown.

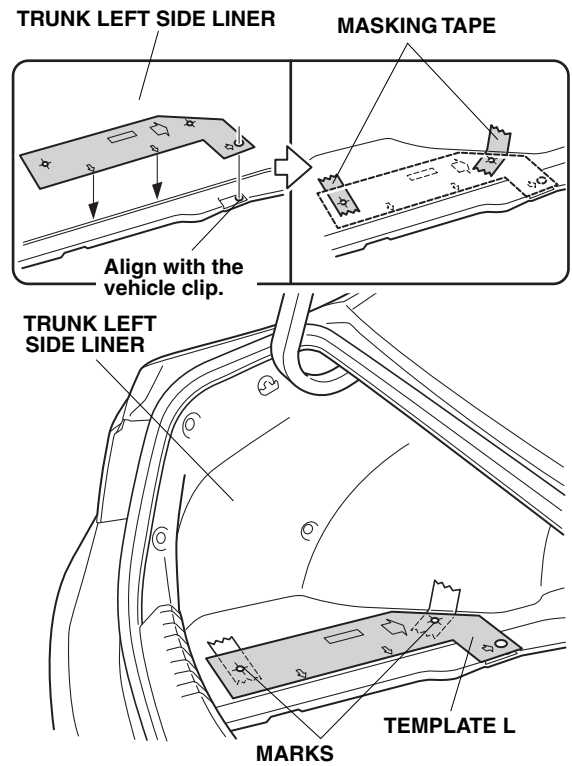


18. Put strips of masking tape underneath the template as shown.
19. Using a pushpin, pierce the trunk right side liner at each mark on the template.

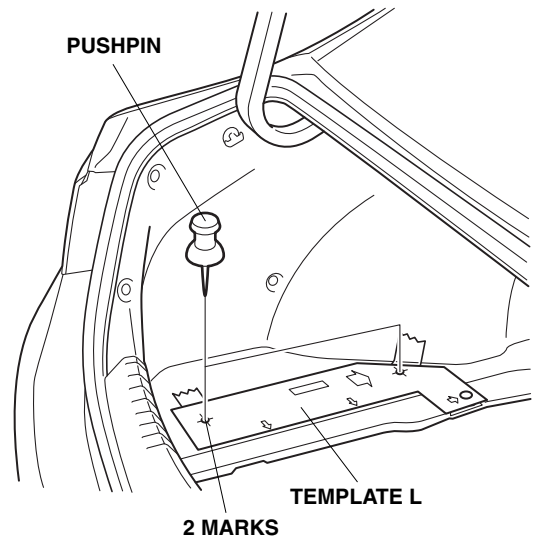


20. Remove the template.

21. Place template L on the trunk left side liner in the area shown.

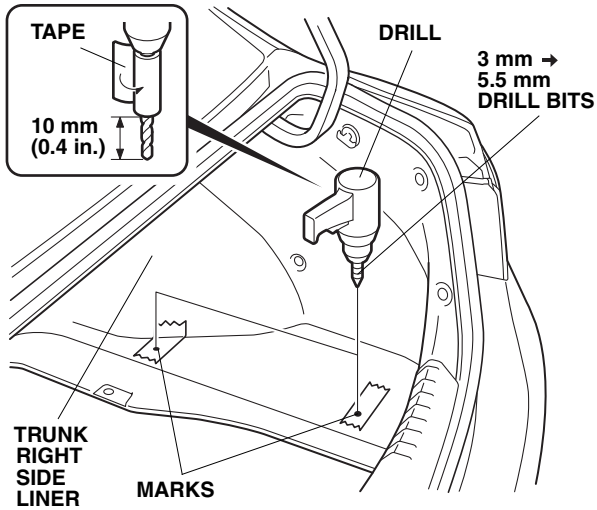


22. Put strips of masking tape underneath the template as shown.
23. Using a pushpin, pierce the trunk left side liner at each mark on the template.

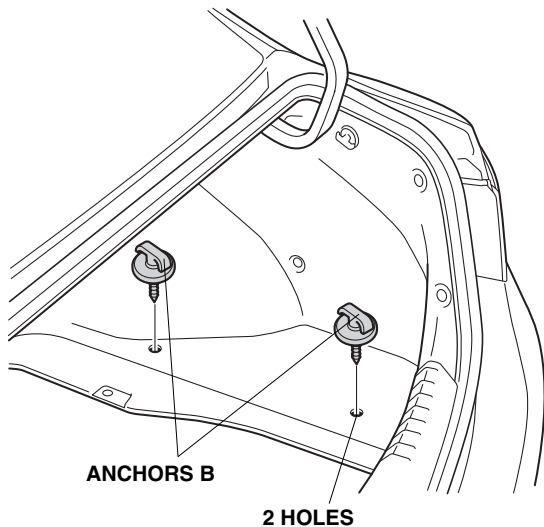


24. Remove the template.

- Pull up the trunk right side liner and make sure the opener cable is out of the way. While wearing eye protection, drill a 3 mm hole through the trunk right side liner at each pierced mark: Then enlarge each hole with a 5.5 mm drill bit. To prevent drilling through the inner panel, wrap tape around each drill bit 10 mm (0.4 in.) away from the tip, or use a drill stop.



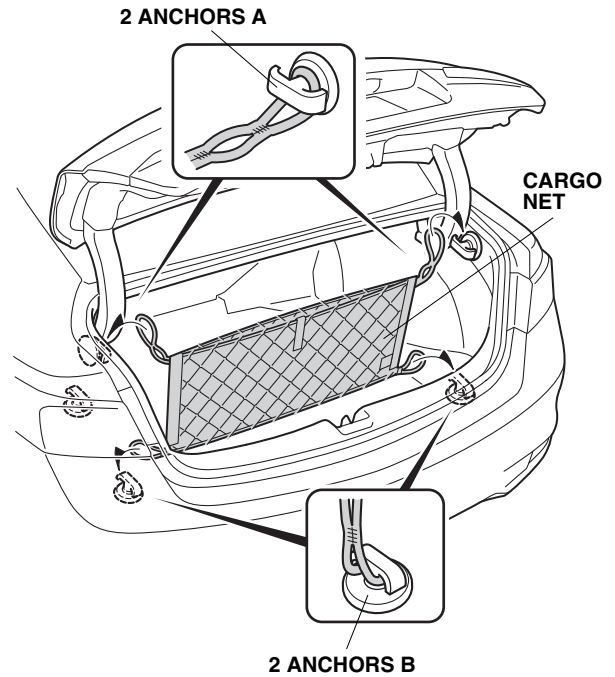
- Remove all burrs, and apply touch-up paint to each drilled hole.
- Repeat step 25 to drill the trunk left side liner. Remove the masking tape.
- Install the four anchors B into the drilled holes.



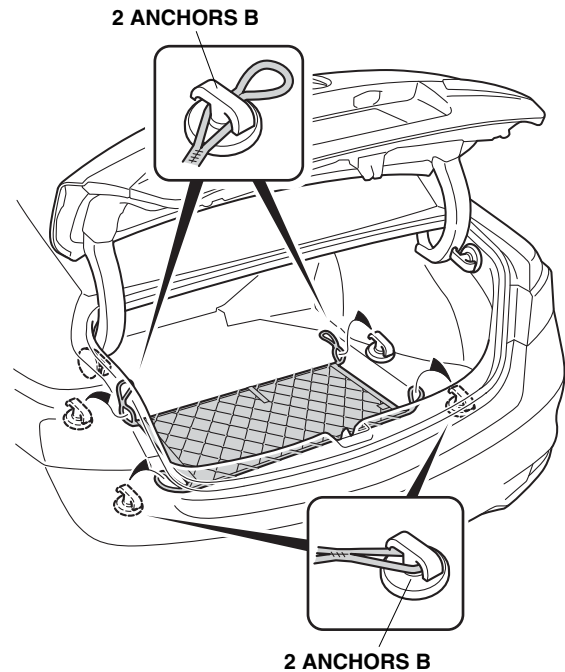
- Reinstall all removed parts.

- Install the cargo net to the anchors in the trunk. The cargo net can be installed in two different positions.

Vertical Position



Horizontal Position



NOTICE

- Do not store large or fragile objects in the net.
- Do not store objects with sharp edges or corners, as they may damage the cargo net or the vehicle. Wrap the objects in paper or a blanket so they do not contact the net directly.