



INSTALLATION INSTRUCTIONS

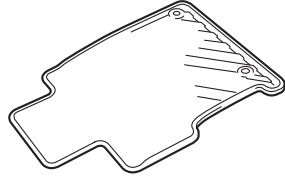
Accessory
ALL-SEASON FLOOR MATS

Application
2017 ILX

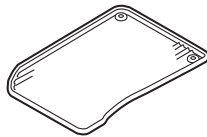
Publications No.
VERSION 1
Issue Date
MAR 2016

PARTS LIST

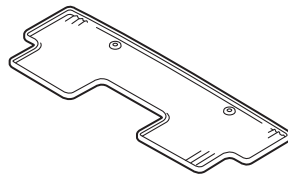
Driver's side all-season floor mat



Passenger's side all-season floor mat



Rear all-season floor mat



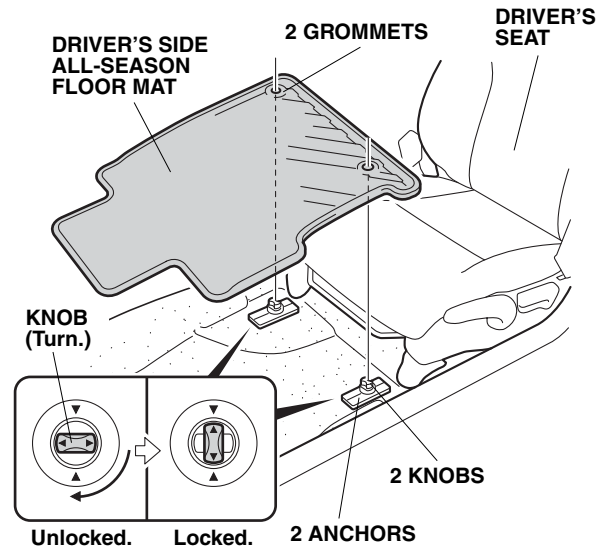
INSTALLATION

NOTE:

- Connect the mats to the anchors to prevent the mats from sliding forward and possibly interfering with the pedals.
- If you remove a mat, make sure you reanchor it when you put it back in your vehicle.
- If you replace a mat, use a factory mat designed to be used with the anchors.
- If you use a non-factory mat in the driver's footwell, make sure it fits properly and that it can be used with the anchors.
- Do not put an additional mat on top of the anchored mat. An additional mat may slide forward and possibly interfere with the pedals.
- Before installing the mats, identify their installation positions. Identify each mat by the marks on the back: the mats marked "R" go on the right side of the vehicle; the mats marked "L" go on the left side.

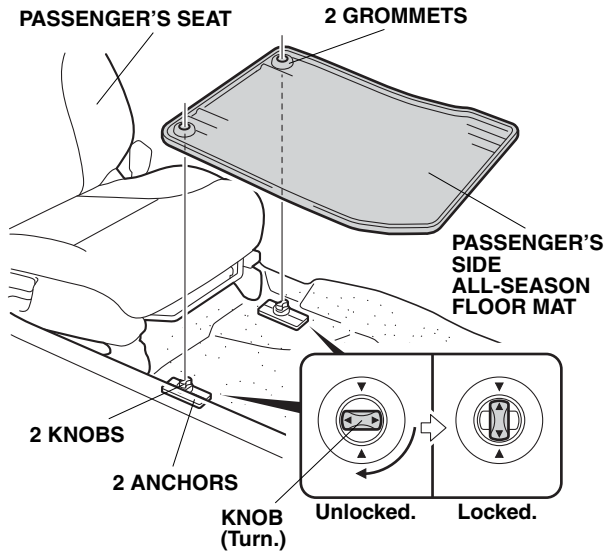
Installing the All-Season Floor Mats

1. Remove the driver's, passenger's, and rear floor mats as described in the vehicle owner's manual.



2. Place the grommets in the driver's side all-season floor mat over the anchors, and turn the knobs one quarter turn to secure the all-season floor mat.

- Place the grommets in the passenger's side all-season floor mat over the anchors, and turn the knobs one quarter turn to secure the all-season floor mat.



- Place the grommets in the rear all-season floor mat over the anchors, and turn the knobs one quarter turn to secure the all-season floor mat.

