



# INSTALLATION INSTRUCTIONS

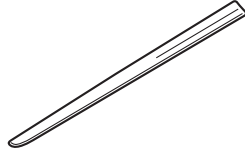
Accessory  
**LOWER CHROME TRIMS**  
P/N 08F57-TX4-200

Application  
**2016 RDX**

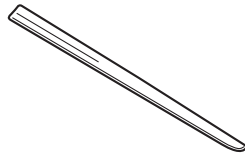
Publications No.  
**VERSION 1**  
Issue Date  
**APRIL 2015**

## PARTS LIST

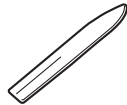
Left front lower chrome trim



Right front lower chrome trim



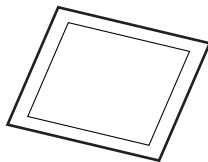
Left rear lower chrome trim



Right rear lower chrome trim



4 Alcohol swabs



## TOOLS AND SUPPLIES REQUIRED

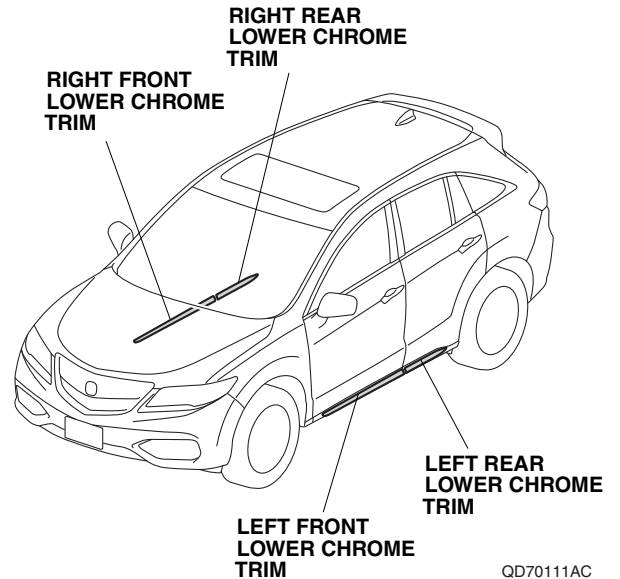
Masking tape

Ruler

*The following tool is available through the Honda Tool and Equipment Program. On the iN, click on: Service > Service Bay > Tool and Equipment Program, then enter the number under "Search". Or, call 888-424-6857.*

- Rubber Roller (T/N MHLE54D)

## Illustration of the Lower Chrome Trims on the Vehicle

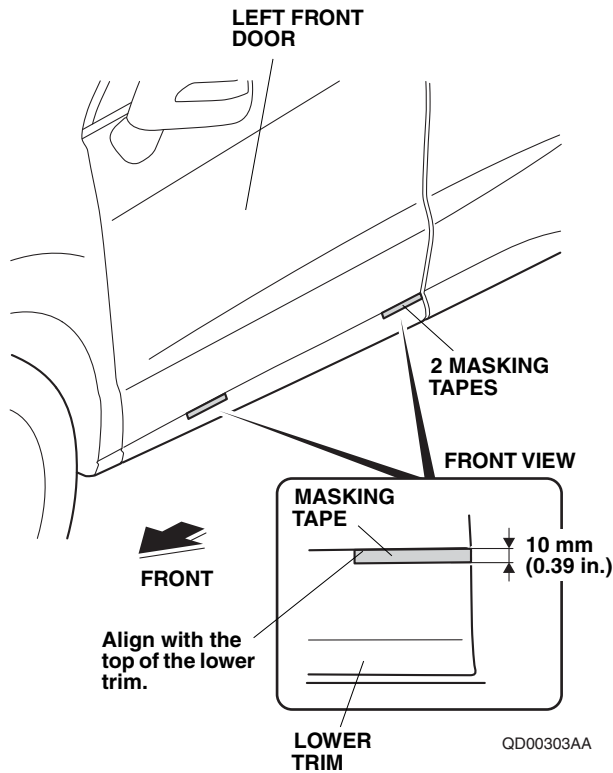


## INSTALLATION

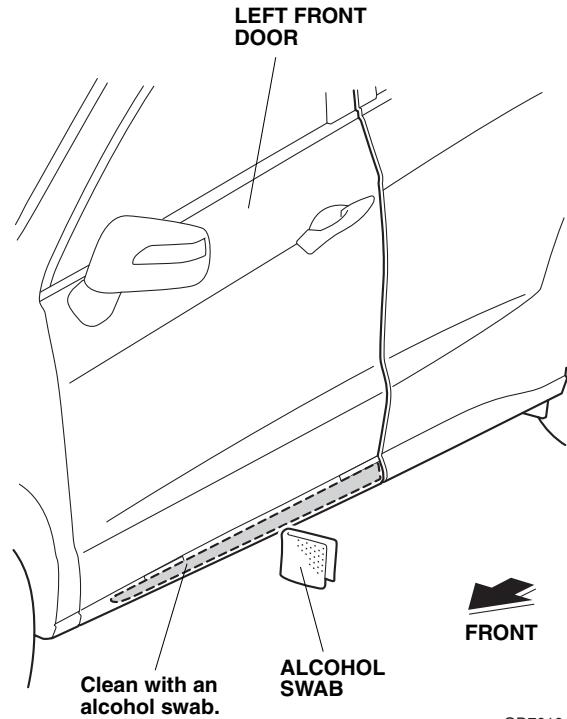
**Client Information:** The information in this installation instruction is intended for use only by skilled technicians who have the proper tools, equipment, and training to correctly and safely add equipment to your vehicle. These procedures should not be attempted by “do-it-yourselfers.”

### NOTE:

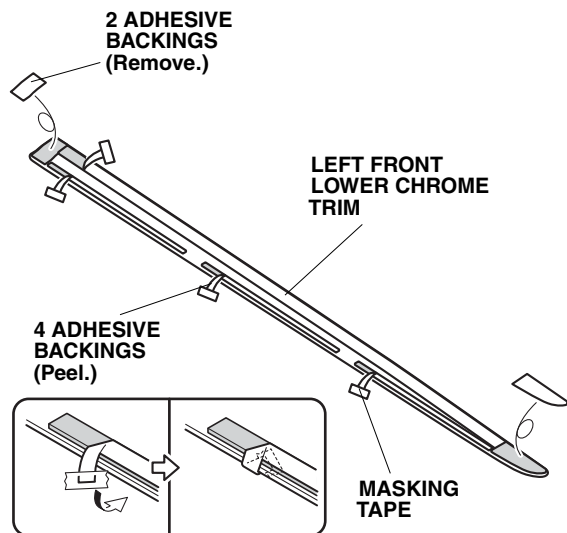
- Do not damage the paint finish.
  - This kit should be installed only if the ambient air temperature is 15°C (60°F) or above.
  - To allow the adhesive to cure, do not wash the vehicle for 24 hours. Please advise the client.
1. Attach the masking tapes to the lower trim as shown.



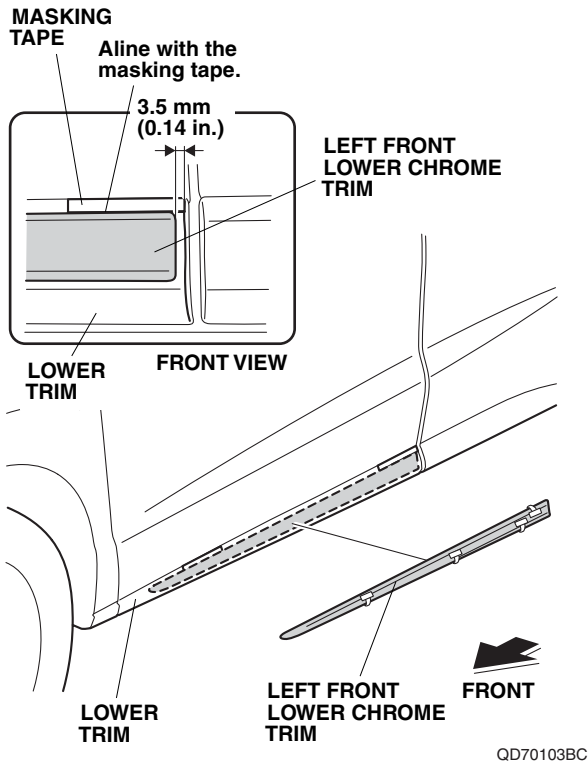
2. Using one alcohol swab, thoroughly clean the left front door where the left front lower chrome trim will attach.



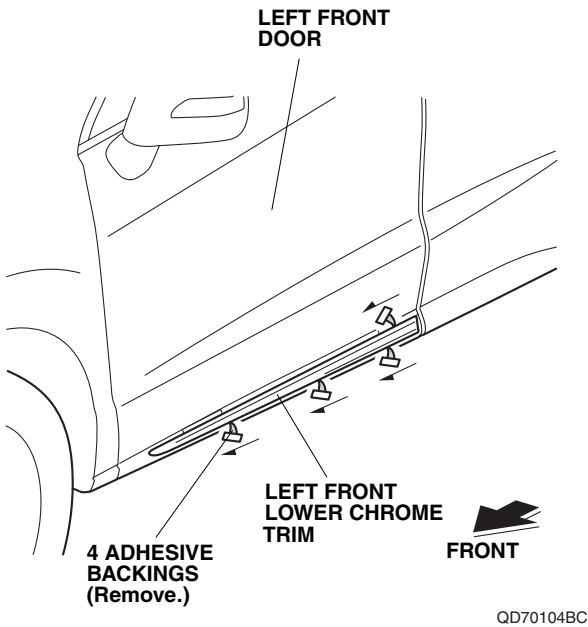
3. Peel back the adhesive backings, and tape them to the front surface of the left front lower chrome trim with masking tape. Remove the small end pieces of the adhesive backings.



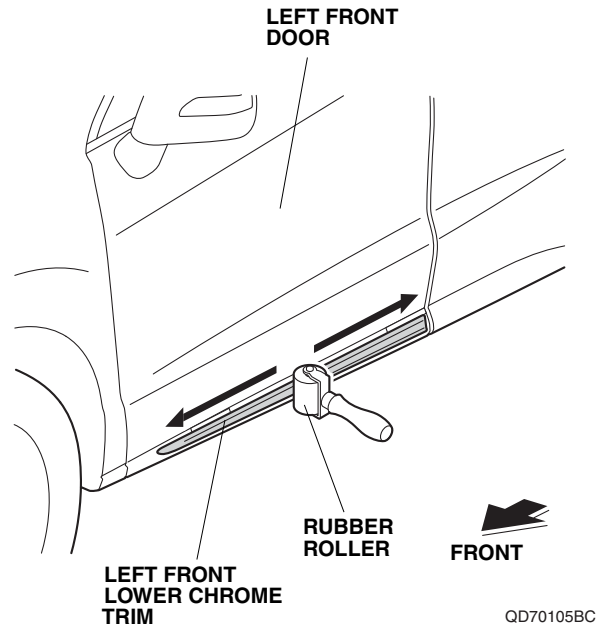
- Align and attach the left front lower chrome trim as shown.



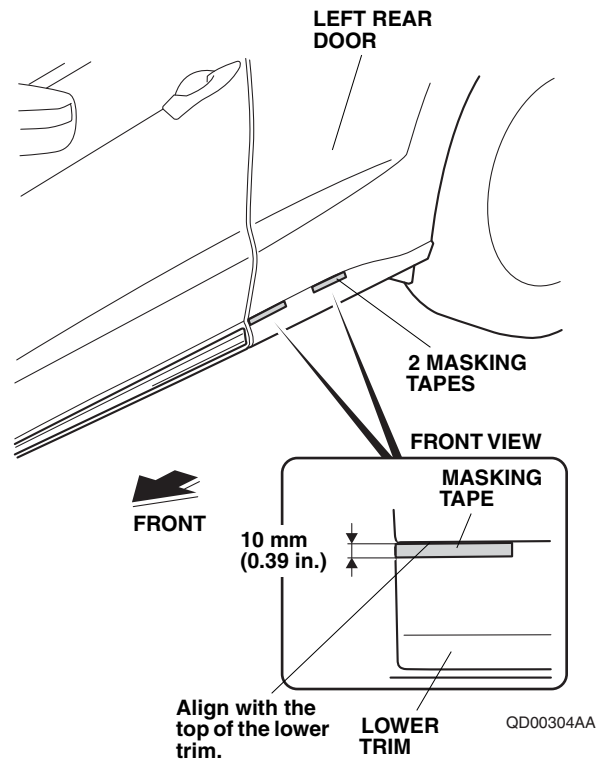
- While applying light pressure against the left front lower chrome trim, carefully remove the adhesive backings.



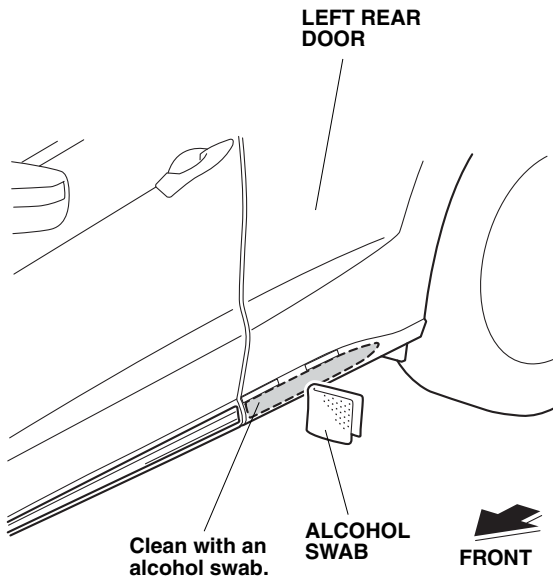
- Using a rubber roller, apply firm pressure against the left front lower chrome trim and roll from one end to the other. Apply firm pressure especially at the ends.



- Attach the masking tapes to the lower trim as shown.

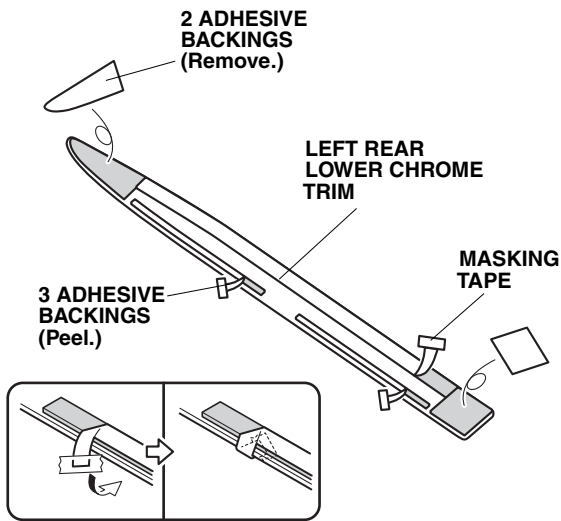


- Using one alcohol swab, thoroughly clean the left rear door where the left rear lower chrome trim will attach.



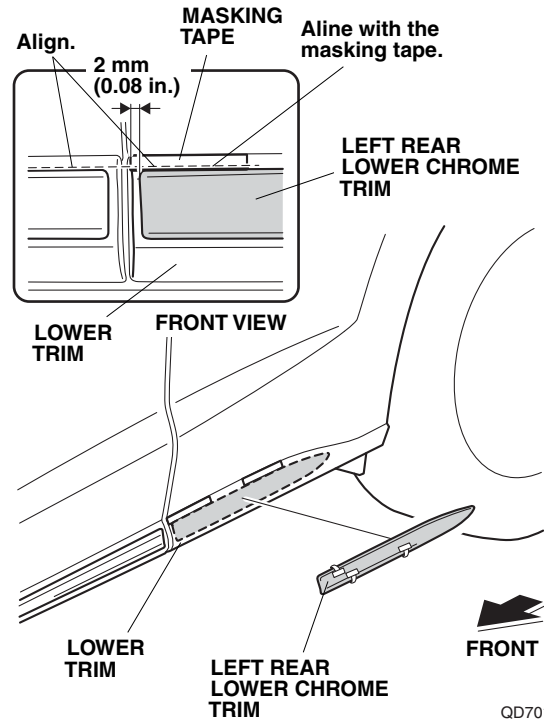
QD70106BC

9. Peel back the adhesive backings, and tape them to the front surface of the left rear lower chrome trim with masking tape. Remove the small end pieces of the adhesive backings.



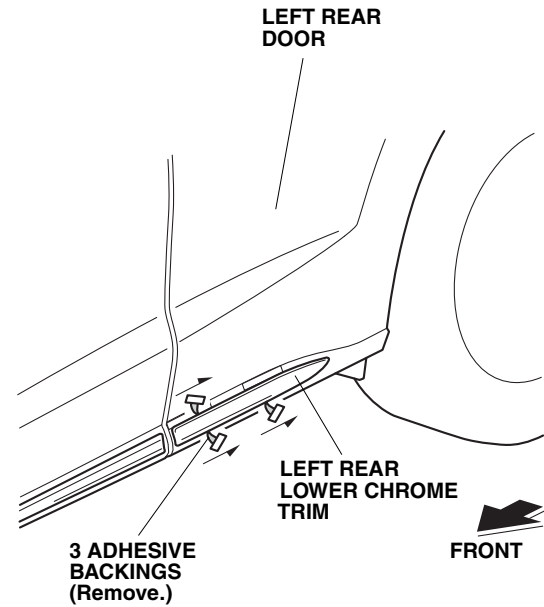
QD70107AC

10. Align and attach the left rear lower chrome trim as shown.



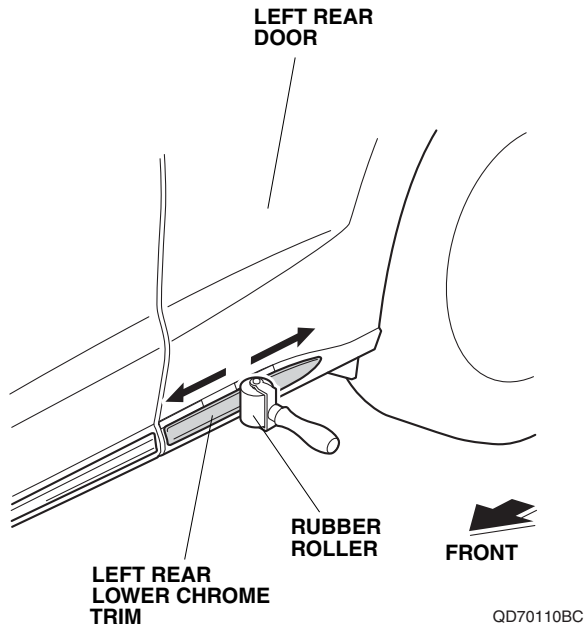
QD70108BC

11. While applying light pressure against the left rear lower chrome trim, carefully remove the adhesive backings.



QD70109BC

12. Using a rubber roller, apply firm pressure against the left rear lower chrome trim and roll from one end to the other. Apply firm pressure especially at the ends.



13. Remove the masking tape.
14. Repeat steps 1 through 13 to install the lower chrome trim on the right side of the vehicle.