



INSTALLATION INSTRUCTIONS

Accessory
CARGO TRAY

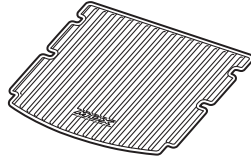
Application
2016 MDX

Publications No.
VERSION 1
Issue Date
JAN 2015

PARTS LIST

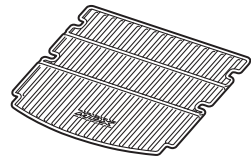
Cargo Tray Kit
P/N 08U45-TZ5-200A

Cargo tray (standard)



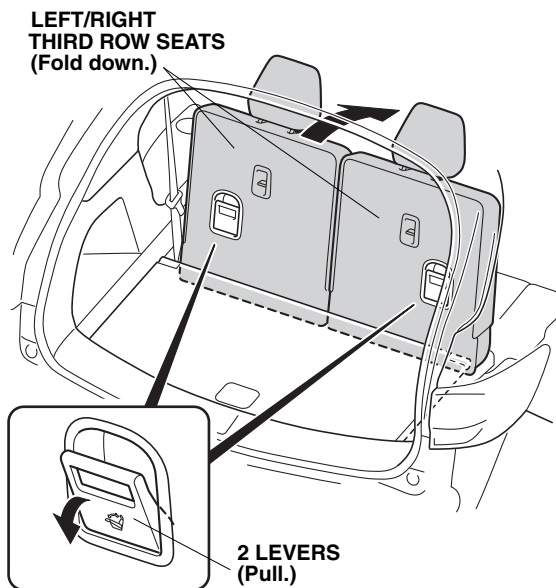
Cargo Tray Kit
P/N 08U45-TZ5-200B

Cargo tray (folding)



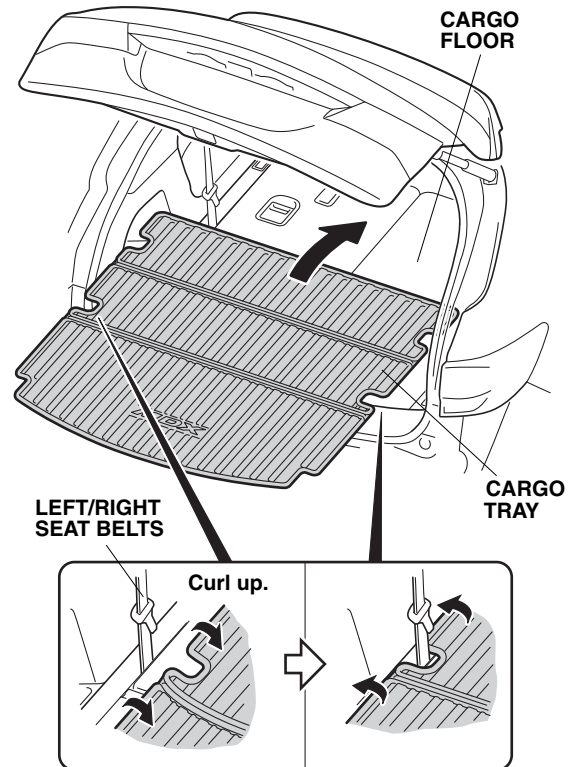
INSTALLATION

1. Pull each lever, and fold down the left and right third row seats.



QB01910AH

2. Place the cargo tray on the cargo floor.

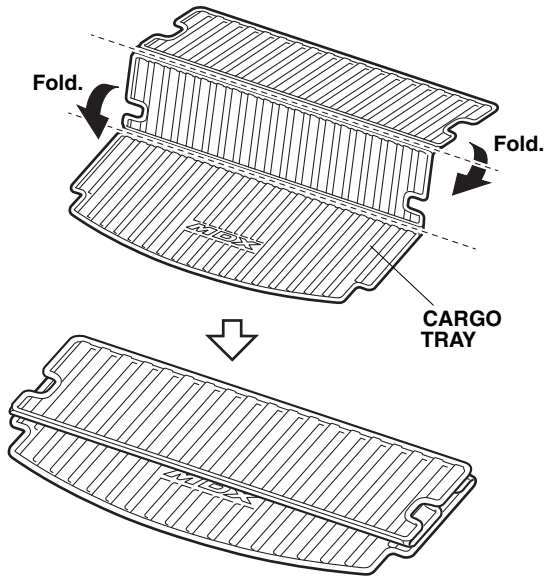


QB02970BH

The cargo tray (folding) can be installed in the folded position.

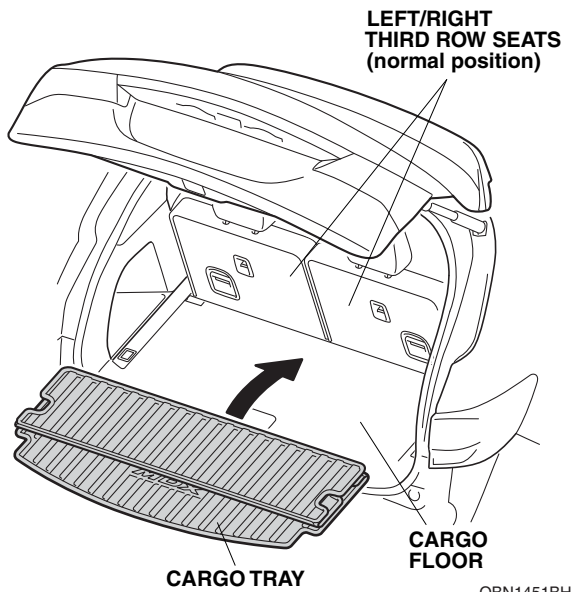
Folded Position:

- Fold the cargo tray as shown.



QBN1450BH

- Place the cargo tray on the cargo floor.



QBN1451BH