



INSTALLATION INSTRUCTIONS

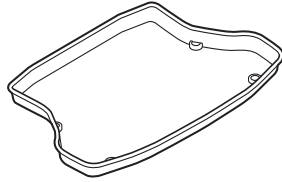
Accessory
TRUNK TRAY
P/N 08U45-TX6-200

Application
2016 ILX

Publications No.
VERSION 1
Issue Date
JAN 2015

PART LIST

Trunk tray



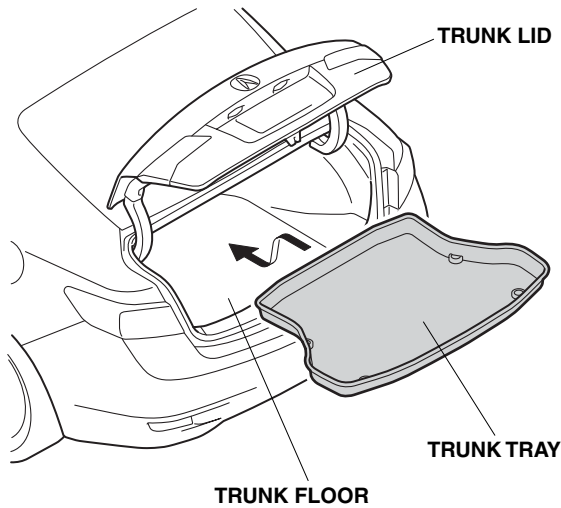
TOOLS AND SUPPLIES REQUIRED

Utility knife

INSTALLATION

Without Cargo Net

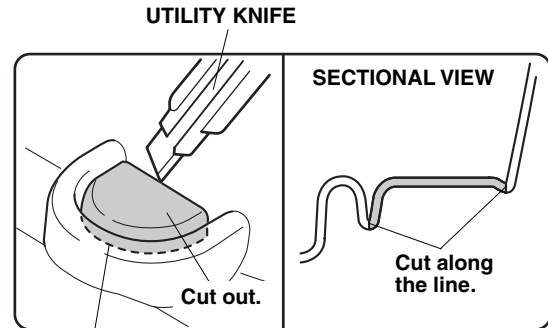
1. Open the trunk lid. Place the trunk tray on the trunk floor.



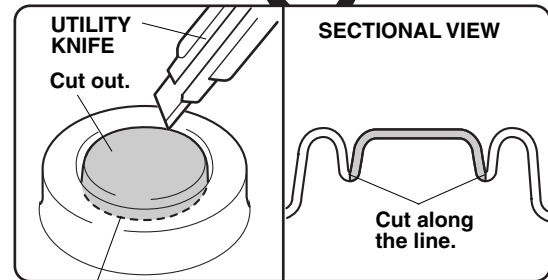
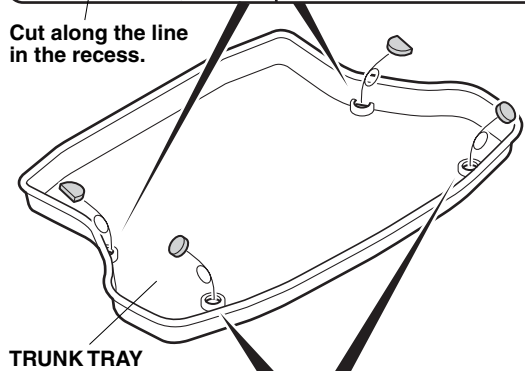
QA91802AJ

With Cargo Net

2. Using a utility knife, cut out the four areas of the trunk tray as shown.



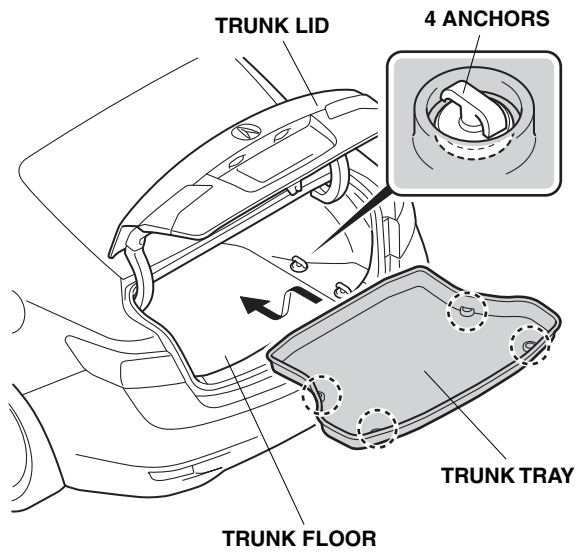
Cut along the line in the recess.



Cut along the line in the recess.

Q070601CJ

3. Open the trunk lid. Place the trunk tray on the trunk floor.



QA91801BJ