



# INSTALLATION INSTRUCTIONS

Accessory  
**REAR UNDER SPOILERS**  
P/N 08F03-TX6-200A

Application  
**2016 ILX**

Publications No.  
**VERSION 1**  
Issue Date  
**JAN 2015**

## PARTS LIST

Left rear under spoiler



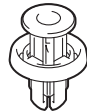
Right rear under spoiler



8 Clip holders



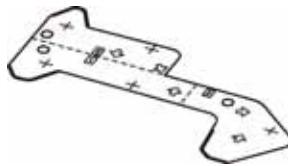
2 Short bumper clips



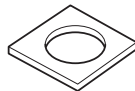
4 Long bumper clips



Template



8 Seals



2 Alcohol swabs



## TOOLS AND SUPPLIES REQUIRED

Phillips screwdriver

Flat-tip screwdriver

Pushpin

Drill

3 mm, 6 mm, 8 mm, 10 mm, and 12 mm Drill bits

Masking tape

Diagonal cutters

Eye protection (face shield, safety goggles, etc.)

Utility knife

Blanket

Tape

Ratchet

10 mm Socket

Scissors

Ruler

*The following tools are available through the Honda Tool and Equipment Program. On the iN, click on: Service > Service Bay > Tool and Equipment Program, then enter the number under "Search". Or, call 888-424-6857.*

- Trim Tool Set (T/N SOJATP2014)
- Rubber Roller (T/N MHLE54D)
- Deburring Tool (T/N DEBUR300)

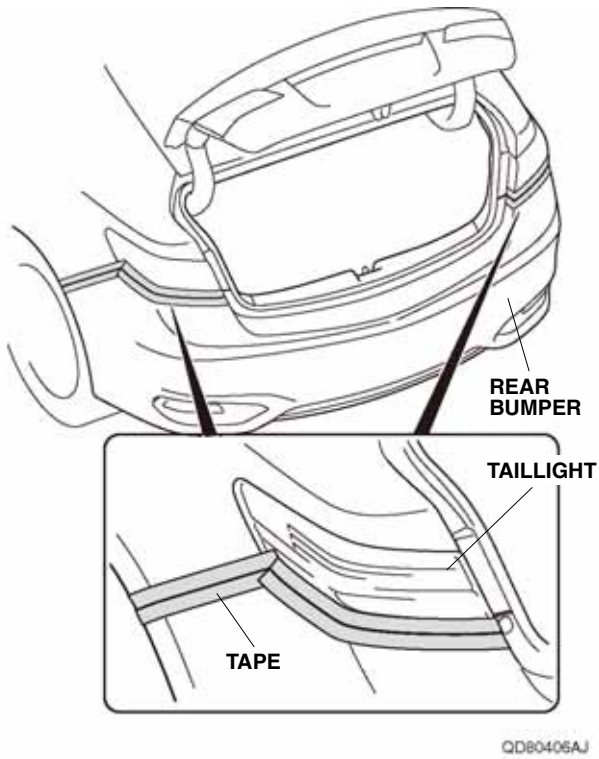
## INSTALLATION

**Client Information:** The information in this installation instruction is intended for use only by skilled technicians who have the proper tools, equipment, and training to correctly and safely add equipment to your vehicle. These procedures should not be attempted by "do-it-yourselfers."

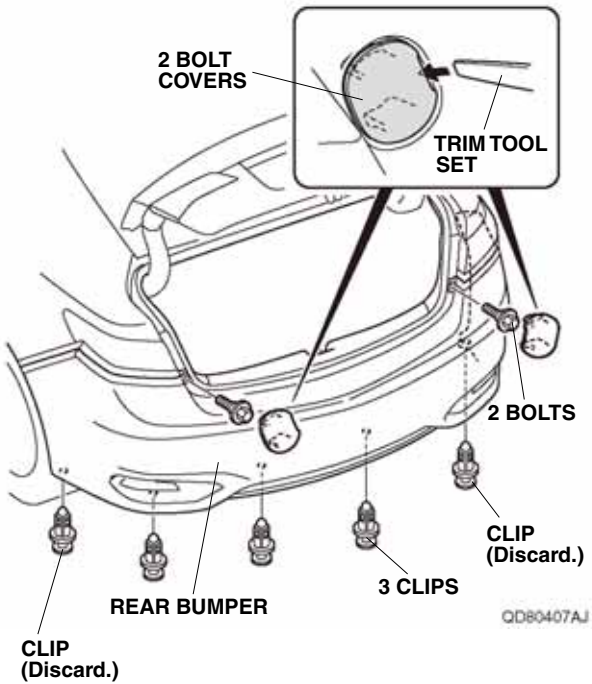
### NOTE:

- Be careful not to damage the paint finish.
- This rear under spoilers kit should be installed only if the ambient air temperature is 15°C (60°F) or above.
- To allow the adhesive to cure, advise the client not to wash the vehicle for 24 hours.

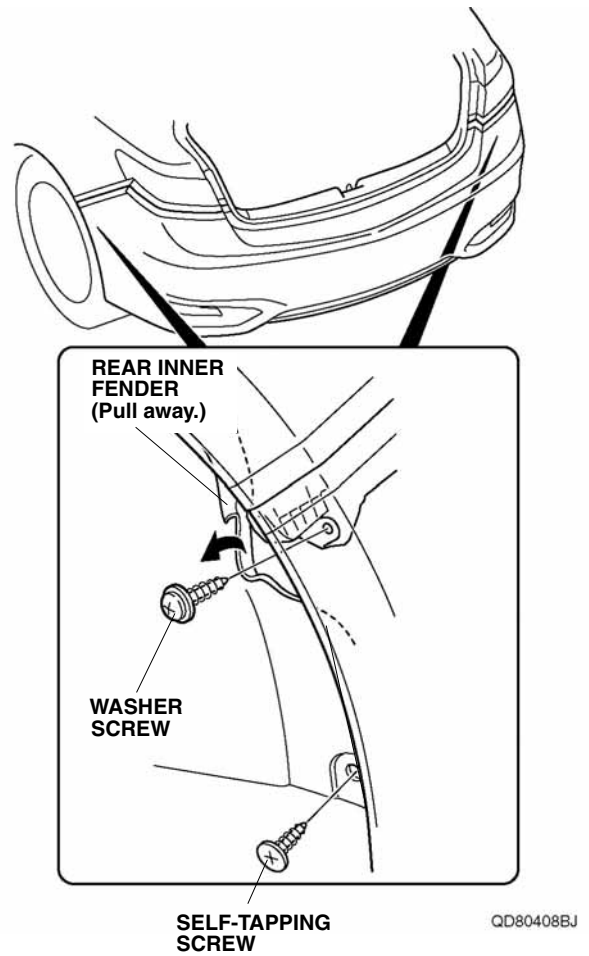
1. Remove the rear bumper:
  - Attach tape to the areas shown on each side.



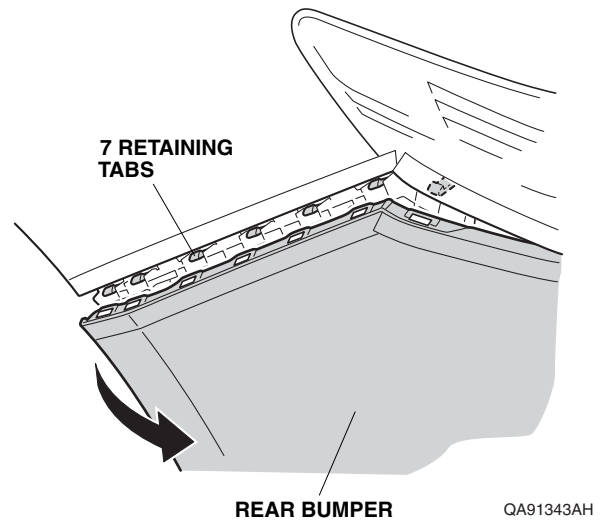
- Remove the two bolt covers, two bolts, and five clips.



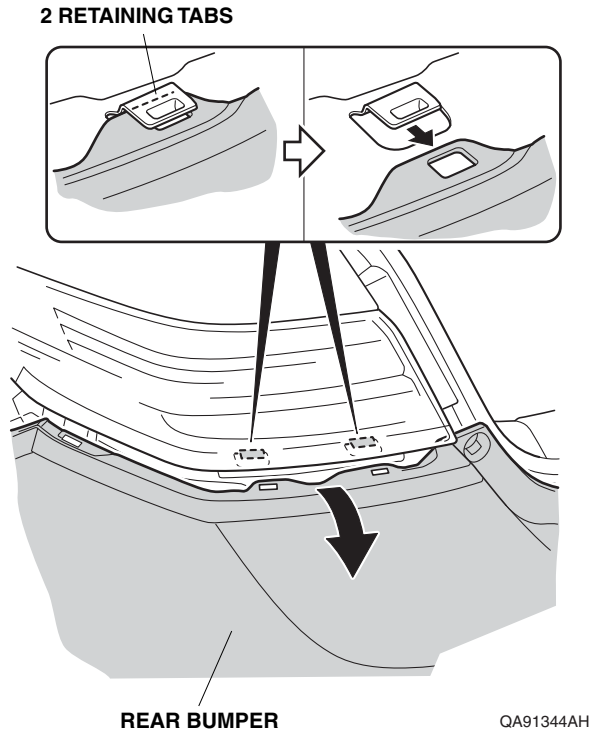
- Remove the self-tapping screw and the washer screw on each side.



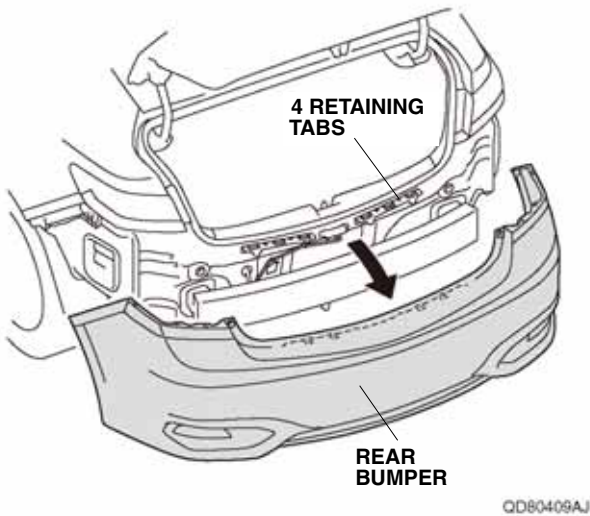
- Release the seven retaining tabs on each side.



- Release the two retaining tabs on each side.

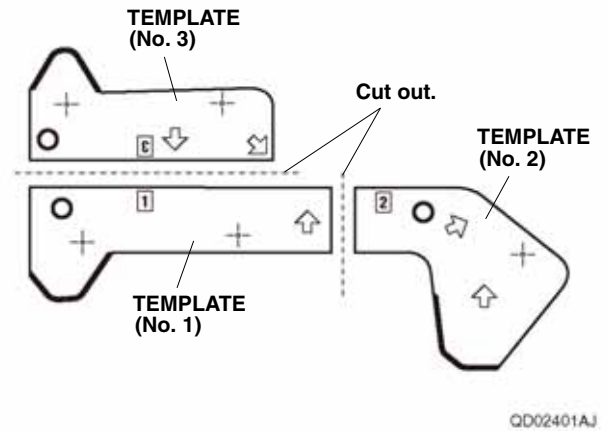


- With the help of an assistant, remove the rear bumper. Place the rear bumper on a blanket to prevent damage.

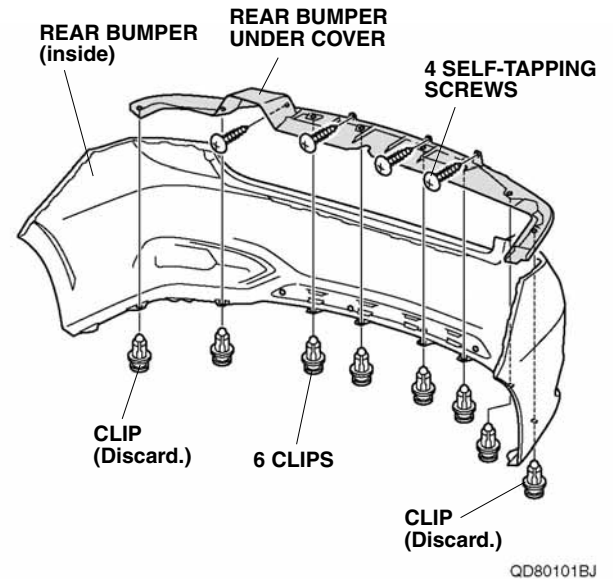


## Installing the Rear Under Spoilers

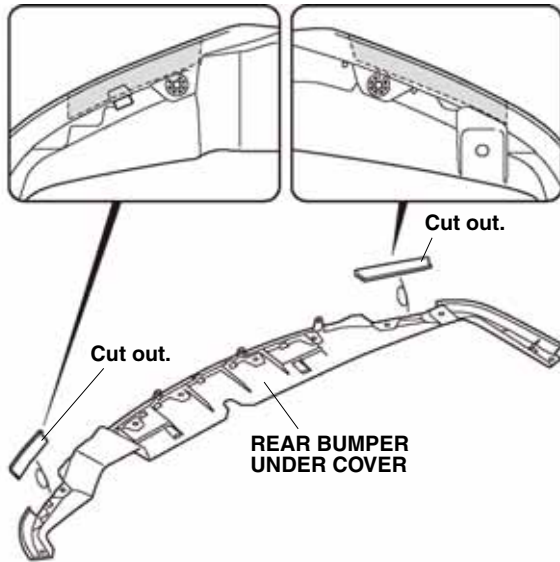
2. Using scissors, cut out the template.



3. Remove the rear bumper under cover.

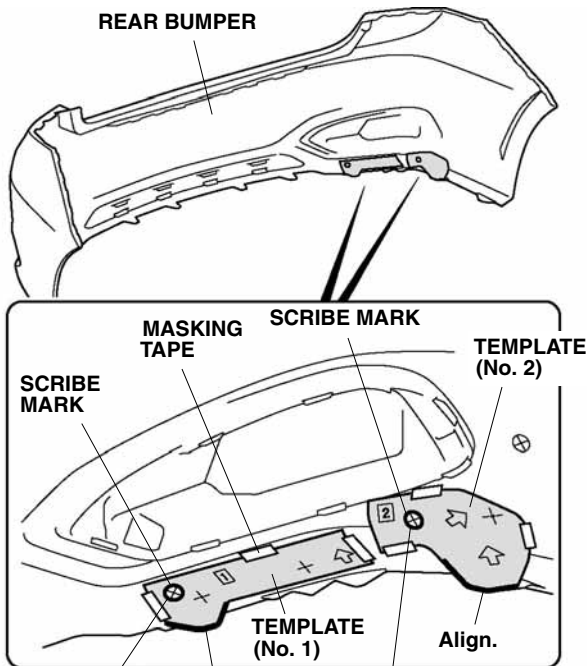


4. Using a utility knife, cut out the rear bumper under cover as shown. Remove any burrs.



QD80102AJ

5. Align the templates No. 1 and No. 2 with the rear bumper as shown. Attach the templates to the rear bumper using masking tape. NOTE: Align and attach the templates with the contour of the rear bumper.



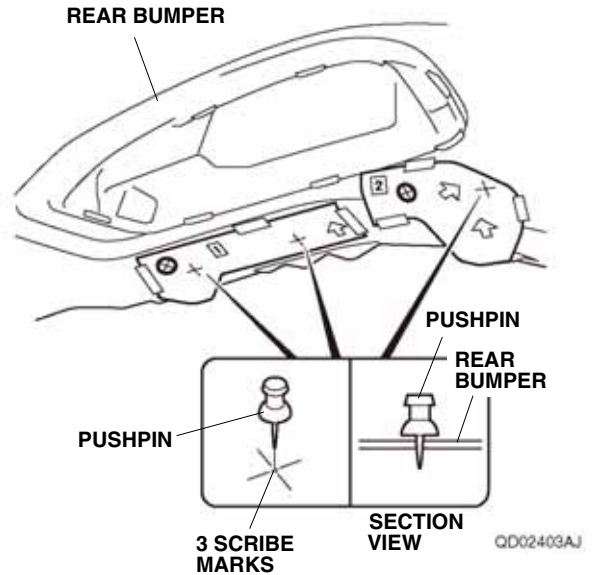
Align with the scribe mark.

Align.

Align with the scribe mark.

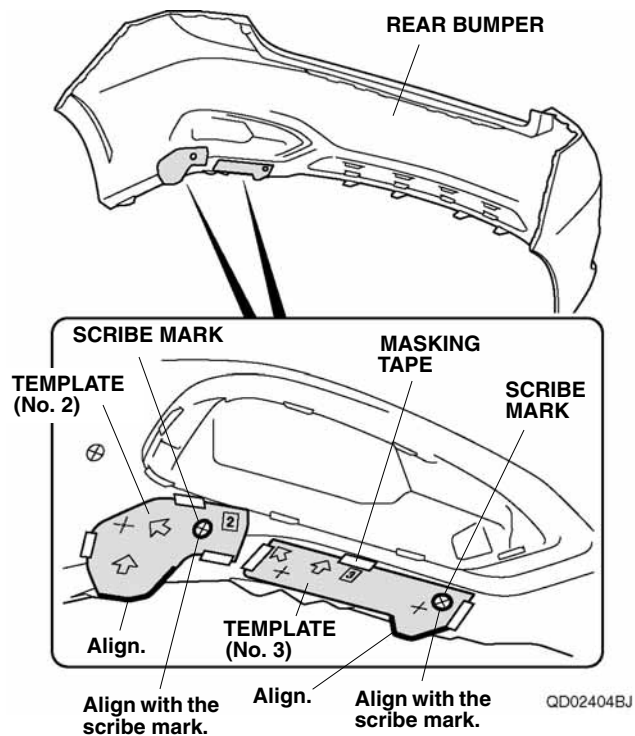
QD02402BJ

6. Using a pushpin, pierce the center of three scribe marks on the templates. Then remove the templates.



QD02403AJ

7. Turn the template No. 2 over, and align the templates No. 2 and No. 3 with the rear bumper as shown. Attach the templates to the rear bumper using masking tape. NOTE: Align and attach the templates with the contour of the rear bumper.



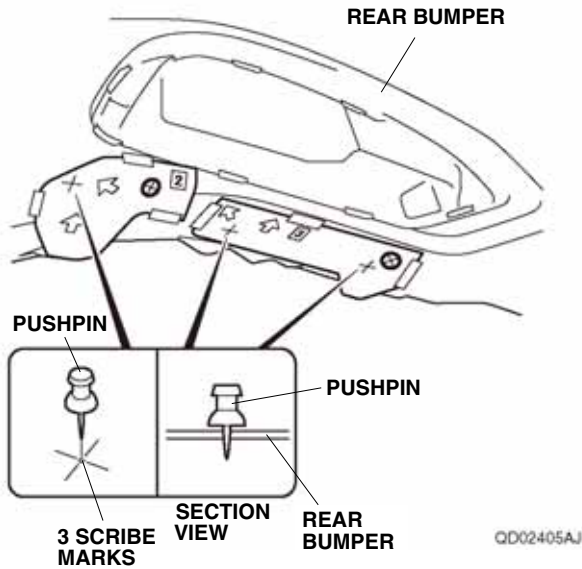
Align with the scribe mark.

Align.

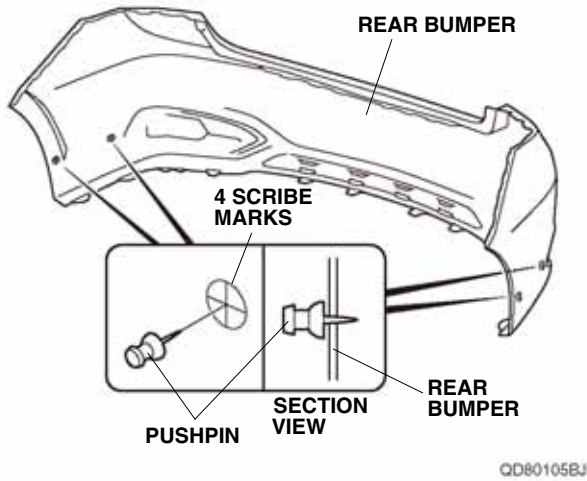
Align with the scribe mark.

QD02404BJ

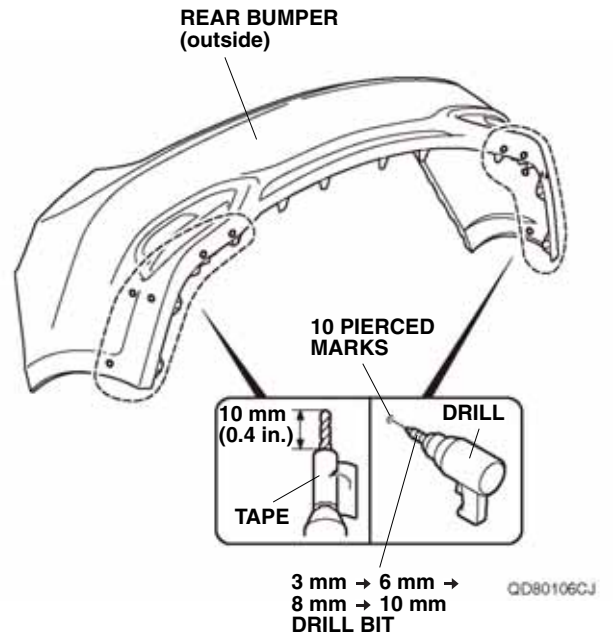
8. Using a pushpin, pierce the center of three scribe marks on the templates. Then remove the templates.



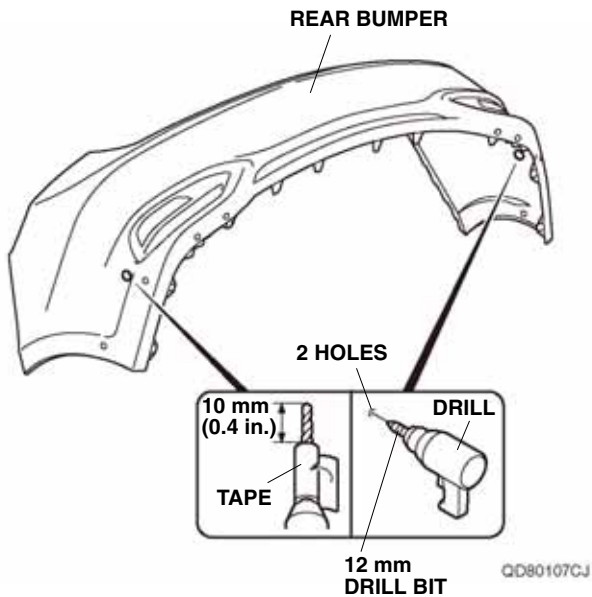
9. Using a pushpin, pierce the center of four scribe marks on the rear bumper.



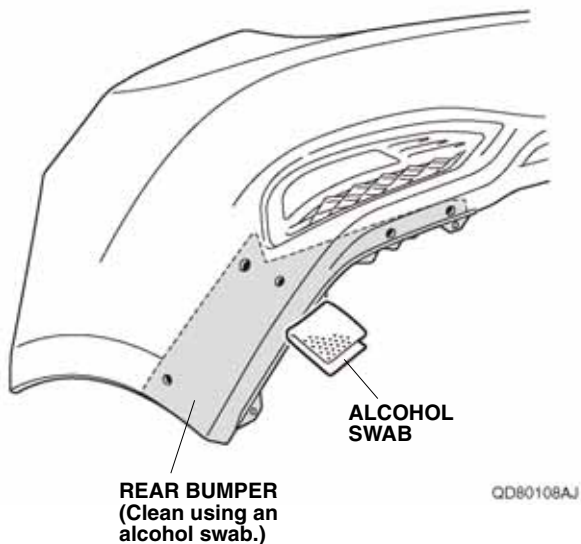
10. While wearing eye protection, drill ten pierced marks to 10 mm:
- Wrap tape around each drill bit 10 mm (0.4 in.) away from the tip or use a drill stop.
  - First drill with a 3 mm drill bit, and then with a 6 mm drill bit, with an 8 mm drill bit, and finish with a 10 mm drill bit.



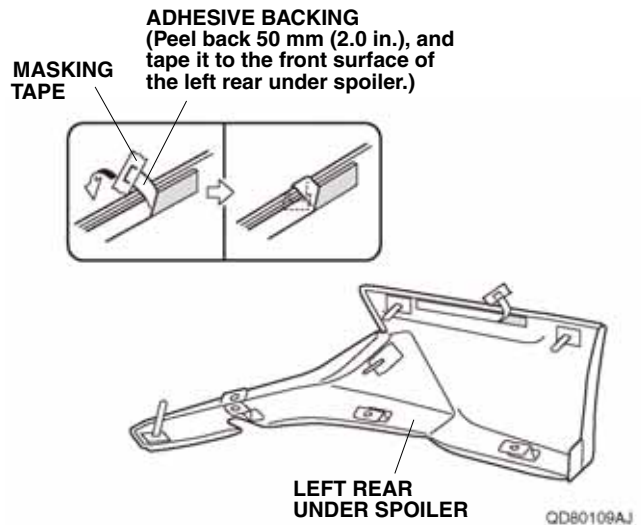
11. While wearing eye protection, drill two holes to 12 mm:
  - Wrap tape around drill bit 10 mm (0.4 in.) away from the tip or use a drill stop.



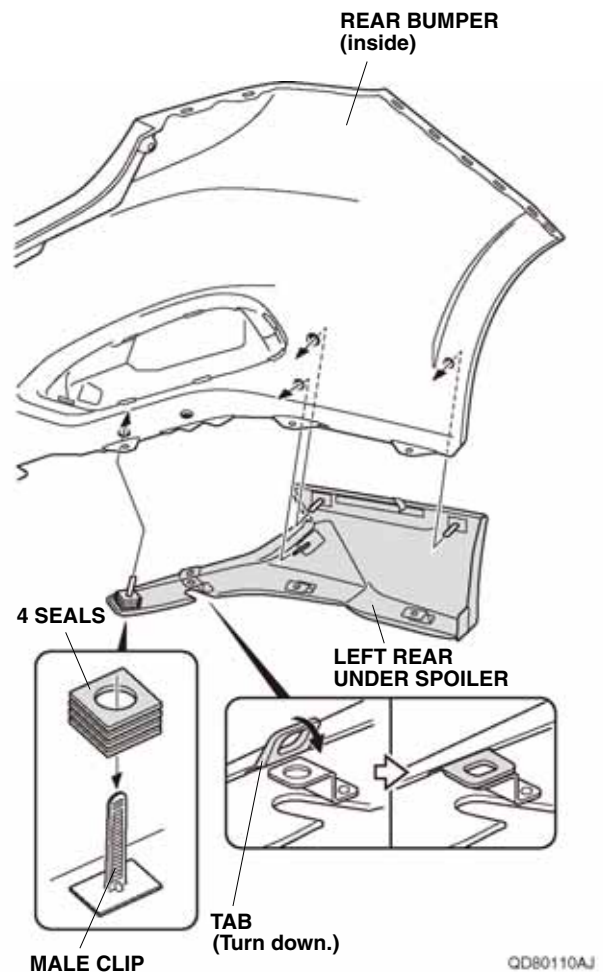
12. Using a deburring tool, remove any burrs from the holes.
13. Using an alcohol swab, thoroughly clean the area where the rear under spoiler will attach. Allow the alcohol to dry before installing the rear under spoiler.



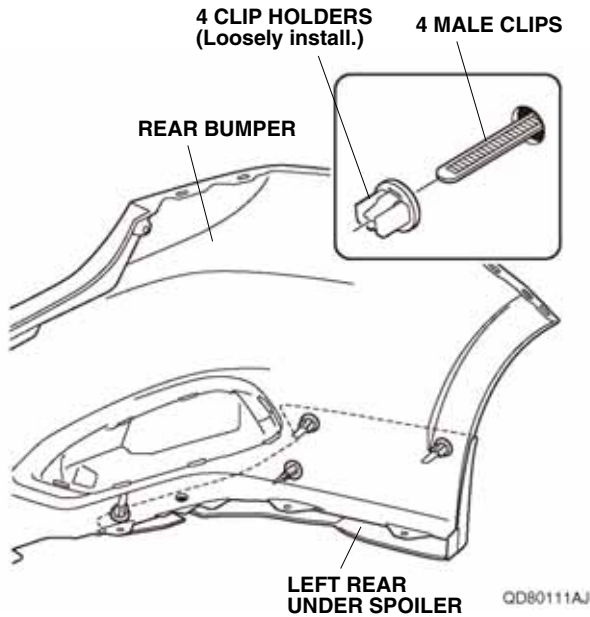
14. Peel back about 50 mm (2.0 in.) of adhesive backing from adhesive strip, and tape the end to the front surface of the left rear under spoiler.



15. Install four seals and install the left rear under spoiler to the rear bumper as shown.

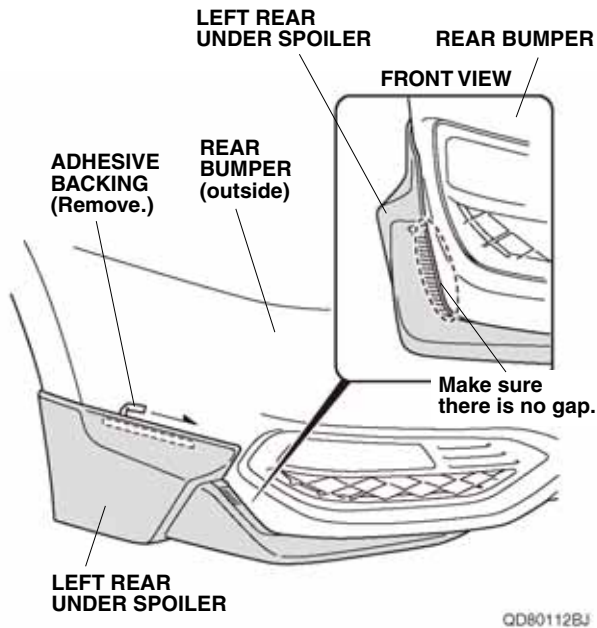


16. Loosely install a clip holder onto each male clip.



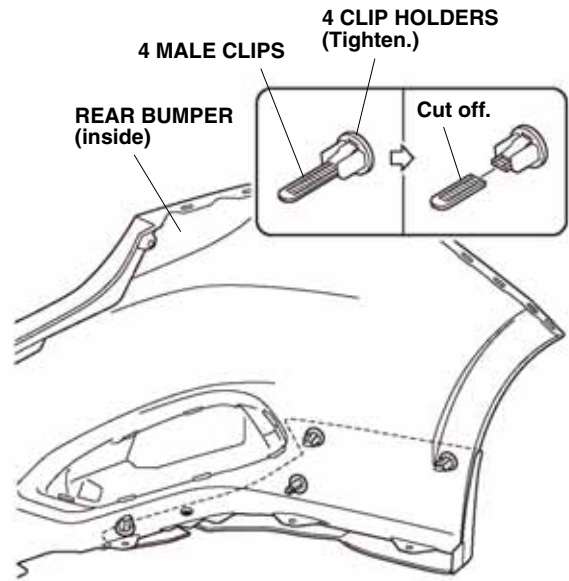
17. While applying light pressure to the left rear under spoiler, carefully remove the adhesive backing. Using the palm of your hand, firmly press the left rear under spoiler onto the left rear bumper.

- Make sure there is no gap between the left rear under spoiler and rear bumper.

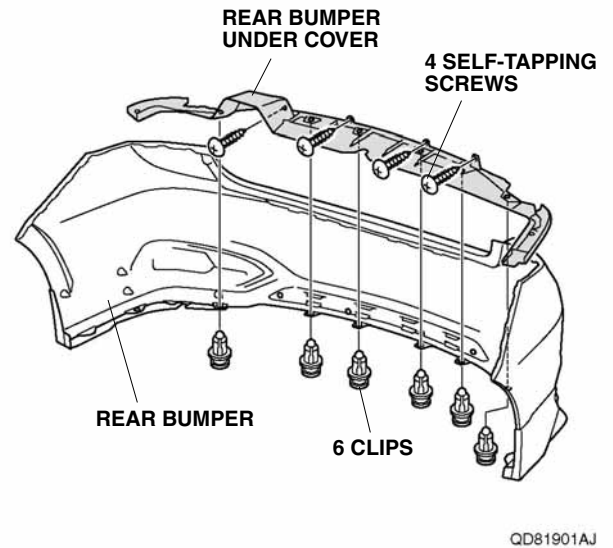


18. Tighten the four clip holders loosely installed in step 18.

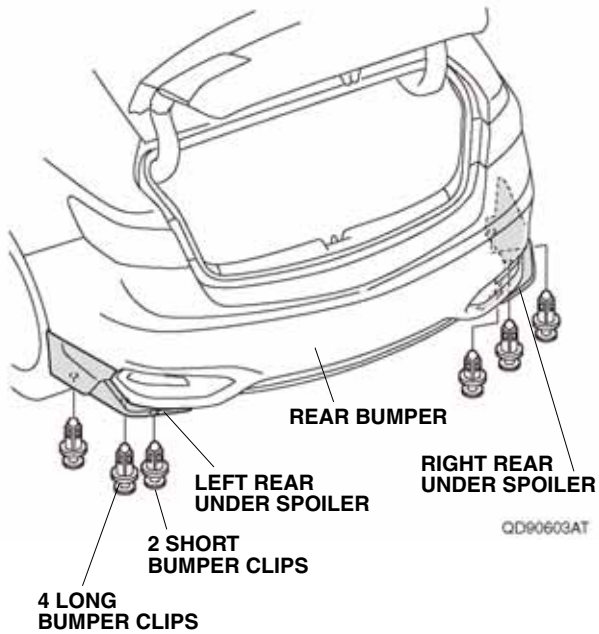
NOTE: Do not push the clip holder too tightly, or they may deform the left rear under spoiler. Readjust the clip holders, if necessary.



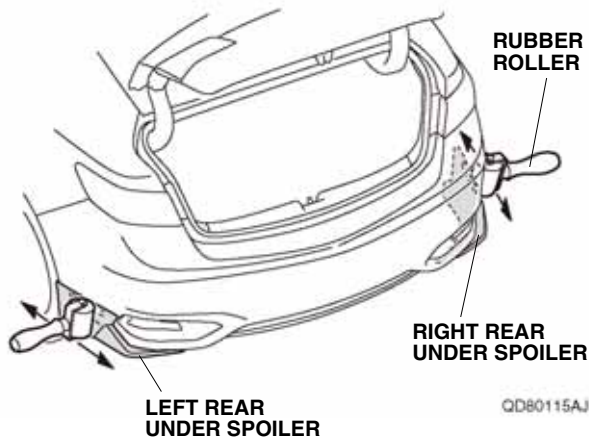
19. Using diagonal cutters, cut the excess off of each male clip.
20. Repeat steps 15 through 21 to install the right rear under spoiler.
21. Install the rear bumper under cover.



22. With the help of an assistant, install the rear bumper.



23. Secure the left and right rear under spoilers to the rear bumper with two short bumper clips and four long bumper clips.
24. Using a rubber roller, apply firm pressure while rolling to set the adhesive. Apply firm pressure especially at the ends.



## USE AND CARE

- A portion of the rear under spoiler is finished with a textured surface. Waxes or similar chemicals will clog the surface.
- Use wax remover when the surface becomes clogged.

