



# INSTALLATION INSTRUCTIONS

Accessory	Application	Publications No.
REAR UNDER SPOILERS P/N 08F03-TZ3-200	2015 TLX	VERSION 1
		Issue Date JULY 2014

## PARTS LIST

Left rear under spoiler



Right rear under spoiler



6 Clips A



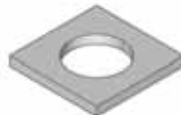
4 Clips B



2 Clips C



4 Seals



## TOOLS AND SUPPLIES REQUIRED

Drill

3 mm, 10 mm, and 12 mm Drill bits

Eye protection (face shield, safety goggles, etc.)

File

Pushpin

Electrical tape

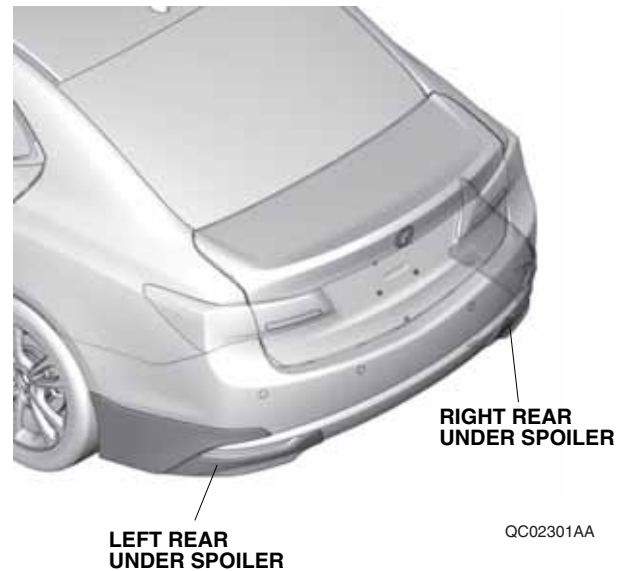
Masking tape

Diagonal cutters

*The following tool is available through the Honda Tool and Equipment Program. On the iN, click on: Service > Service Bay > Tool and Equipment Program, then enter the number under "Search". Or, call 888-424-6857.*

- Rubber Roller (T/N MHLE54D)

### Illustration of the Rear Under Spoilers on the Vehicle

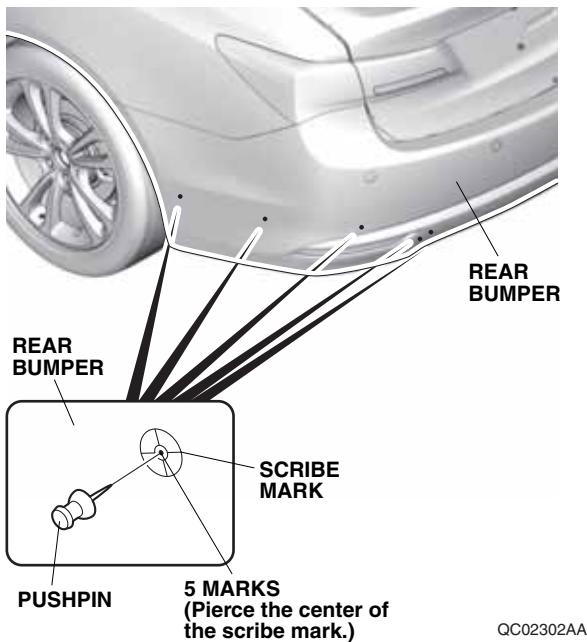


## INSTALLATION

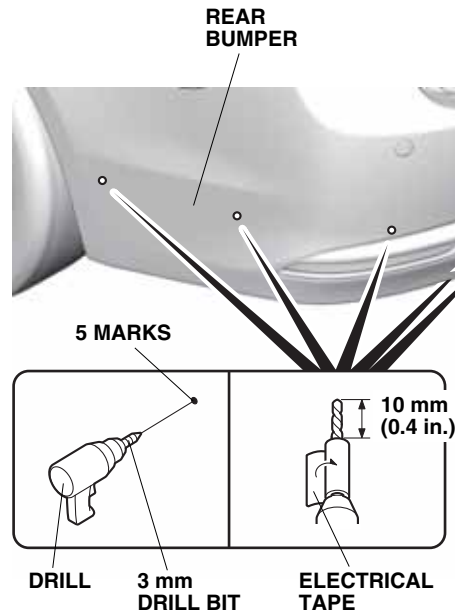
**Client Information:** The information in this installation instruction is intended for use only by skilled technicians who have the proper tools, equipment, and training to correctly and safely add equipment to your vehicle. These procedures should not be attempted by “do-it-yourselfers.”

### NOTE:

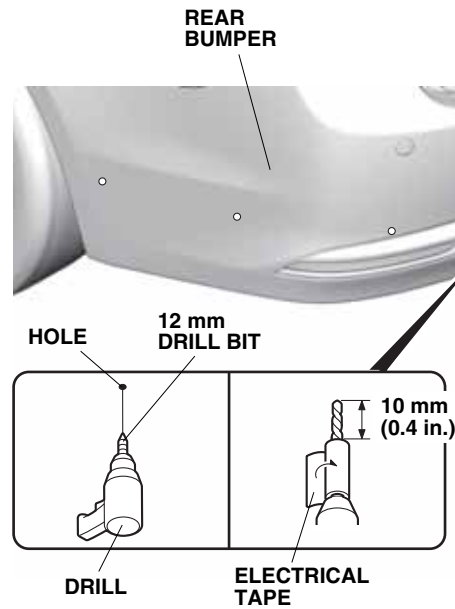
- Do not damage the paint finish.
  - This kit should be installed only if the ambient air temperature is 15°C (60°F) or above.
  - Clean and wax the areas to be covered with a high-quality paste wax.
  - To allow the adhesive to cure, do not wash the vehicle for 24 hours. Please advise the client.
1. Using a pushpin, pierce the rear bumper through the center of the five scribe marks on inside of the rear bumper.



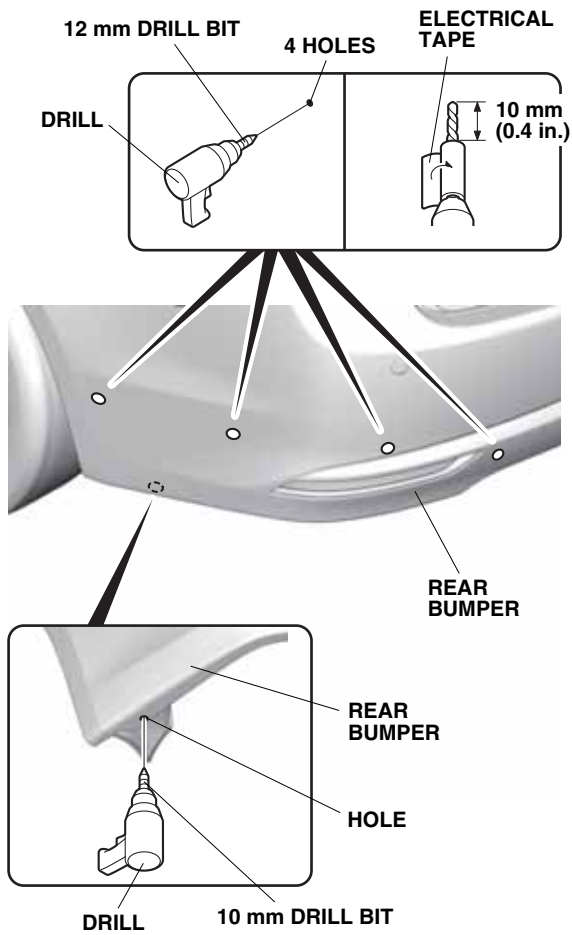
2. While wearing eye protection, drill the five piercings in the rear bumper.
- Wrap electrical tape around a 3 mm drill bit 10 mm (0.4 in.) away from the tip, or use a drill stop.



3. Enlarge the one lower hole to 12 mm.
- Wrap electrical tape around a 12 mm drill bit 10 mm (0.4 in.) away from the tip, or use a drill stop.
  - Enlarge with a 12 mm drill bit. Remove the burrs.



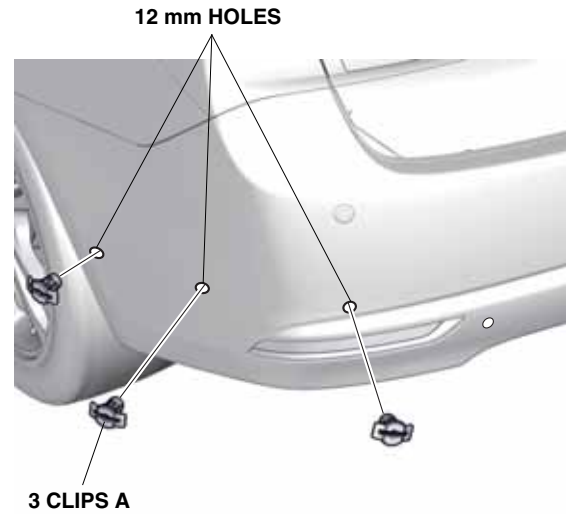
4. Enlarge the four upper holes to 12 mm.
  - Wrap electrical tape around a 12 mm drill bit 10 mm (0.4 in.) away from the tip, or use a drill stop.
  - Enlarge with a 12 mm drill bit. Remove any burrs.



QC02305BA

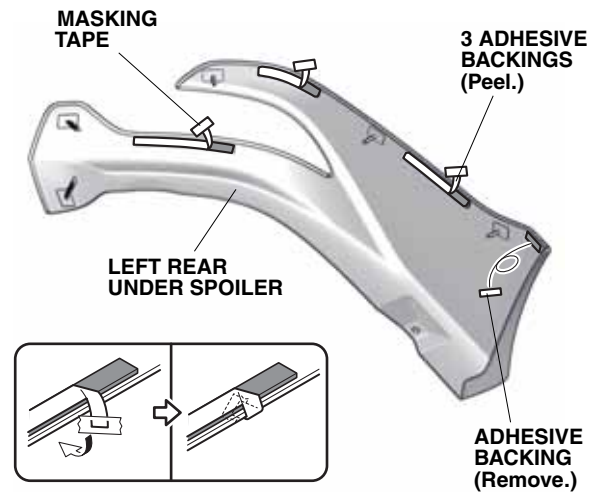
5. Enlarge the hole on the underside of the rear bumper to 10 mm.
  - Enlarge with a 10 mm drill bit. Remove the burrs.

6. Install one clip A into each 12 mm hole. Push in on each clip until you hear a click, and make sure they are secure in the rear bumper.



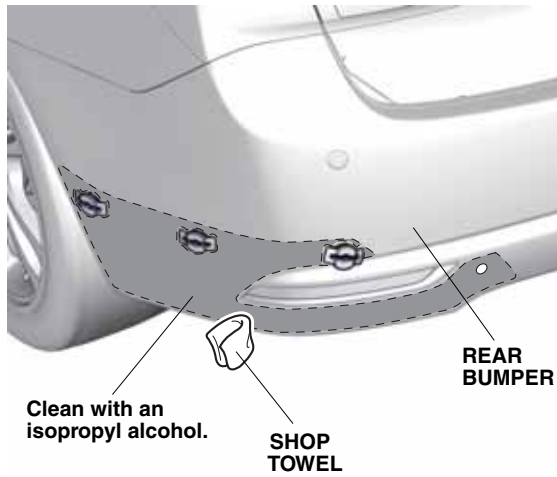
QC02306AA

7. Peel back the adhesive backings, and tape them to the front surface of the left rear under spoiler with masking tape. Remove the remaining adhesive backing.



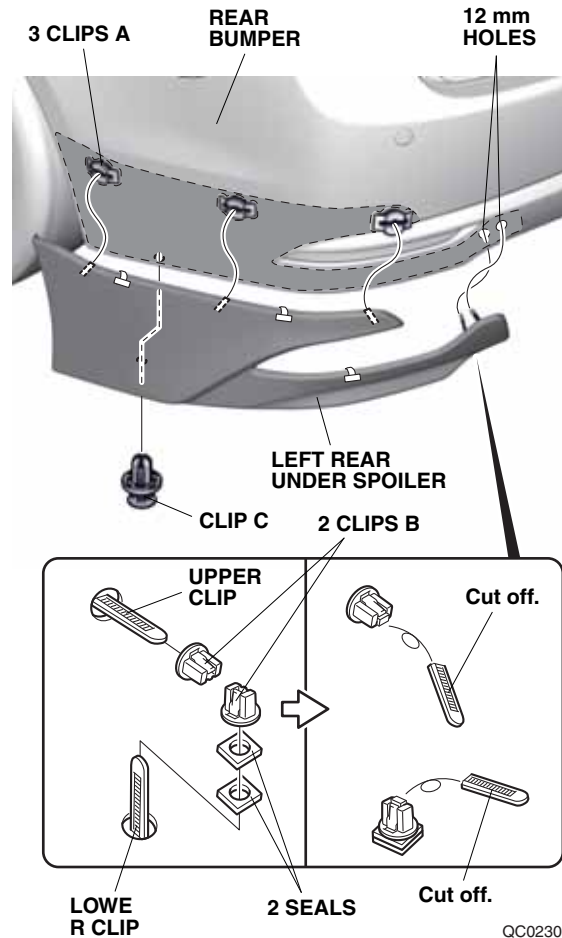
QC02307CA

- Using isopropyl alcohol on a shop towel, thoroughly clean the rear bumper where the left rear under spoiler will attach.



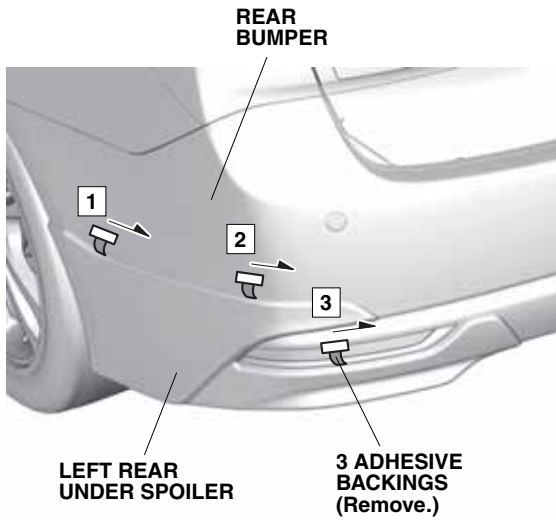
QC02308AA

- Install the left rear under spoiler to the rear bumper.



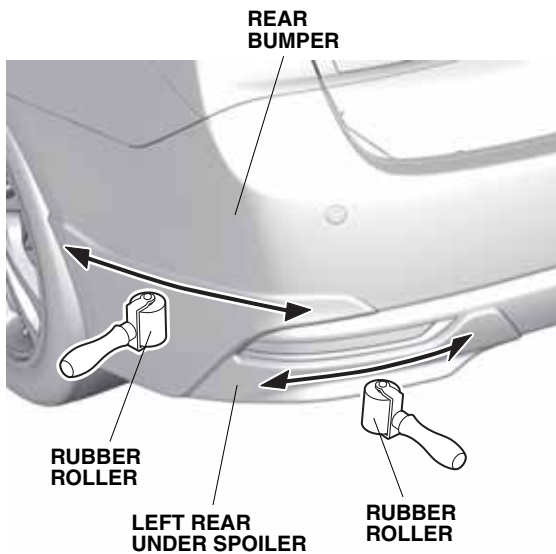
- Install two seals onto the lower clip on the left rear under spoiler as shown.
- Secure the left rear under spoiler with two clips B. **NOTE:** Do not push the clip too tightly, or it may deform the left rear under spoiler. Readjust the clip, if necessary.
- Cut off the excess from the clips.
- Secure the left rear under spoiler with one clip C.

14. While applying light pressure against the left rear under spoiler, carefully remove the adhesive backings.



QC02310BA

15. Using your hand, firmly press the left rear under spoiler against the rear bumper for 30 seconds.
16. Roll the rubber roller along the length of the under spoiler. Apply firm pressure while rolling to set the adhesive, especially at the ends.



QC02311AA

17. Repeat steps 1 through 16 to install the right rear under spoiler.