



INSTALLATION INSTRUCTIONS

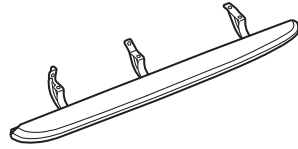
Accessory
ADVANCE RUNNING BOARDS
P/N 08L33-TZ5-200

Application
2015 MDX

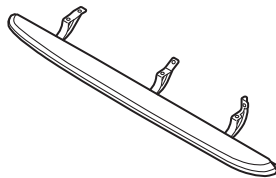
Publications No.
BII 51615
Issue Date
MAY 2014

PARTS LIST

Right running board



Left running board



12 Flange bolts



TOOLS AND SUPPLIES REQUIRED

Ratchet

12 mm Socket

Torque wrench

Utility knife

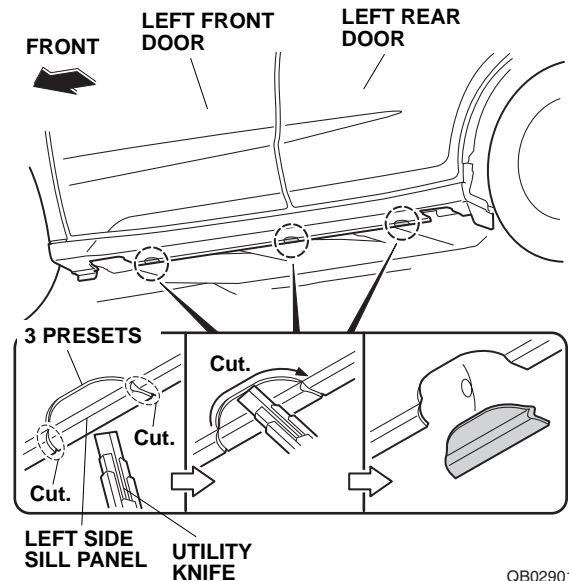
INSTALLATION

Client Information: The information in this installation instruction is intended for use only by skilled technicians who have the proper tools, equipment, and training to correctly and safely add equipment to your vehicle. These procedures should not be attempted by "do-it-yourselfers."

NOTE:

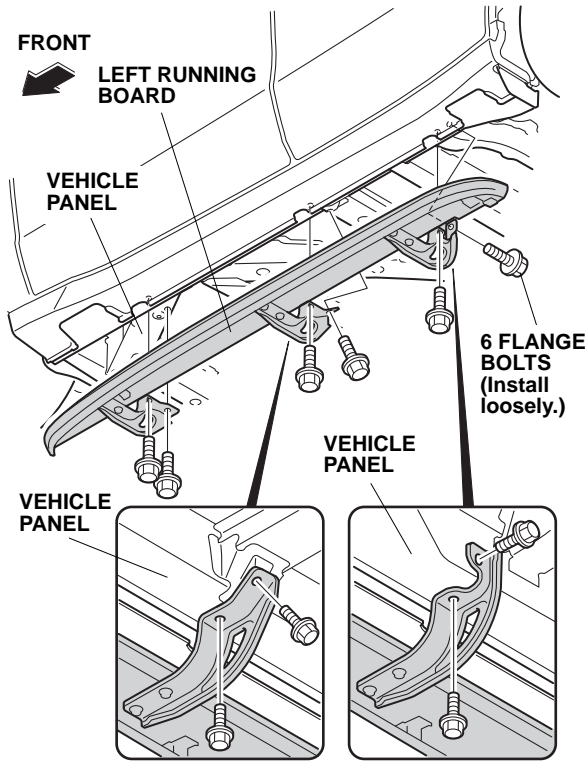
- Thoroughly clean the bottom of the body between the front and rear wheels.
- Be careful not to damage the body paint finish.
- These instructions show the left side running board being installed; the same procedure applies to installing the right running board.

1. Locate the three presets in the left side sill panel. Using a utility knife, cut out the left side sill panel at each preset.



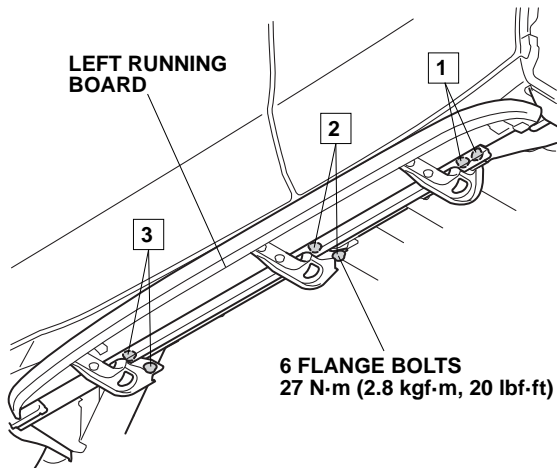
QB02901BK

2. Loosely install the left running board to the vehicle panel with six flange bolts.



QB02902AK

3. Torque the six flange bolts in the order shown to 27 N·m (2.8 kgf·m, 20 lbf·ft).



QB02903AK

4. Repeat steps 1 through 3 to install the right running board on the right side of the vehicle.