



INSTALLATION INSTRUCTIONS

Accessory
REAR UNDER SPOILERS

Application
**2015 ILX
2015 ILX Hybrid**

Publications No.
BII 51694
Issue Date
MAY 2014

PARTS LIST

Left rear under spoiler



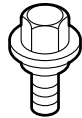
Right rear under spoiler



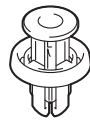
8 Clip holders



2 Bolts



2 Bumper clips



2 Washers



TOOLS AND SUPPLIES REQUIRED

Phillips screwdriver

Pushpin

Drill

3 mm and 10 mm Drill bits

Masking tape

Diagonal cutters

Eye protection (face shield, safety goggles, etc.)

Isopropyl alcohol

Shop towel

Blanket

Tape

Ratchet

10 mm Socket

Torque wrench

The following tools are available through the Honda Tool and Equipment Program. On the iN, click on: Service > Service Bay > Tool and Equipment Program, then enter the number under "Search". Or, call 888-424-6857.

Trim Tool Set (T/N SOJATP2014)

Rubber Roller (T/N MHLE54D)

Deburring Tool (T/N DEBUR300)

INSTALLATION

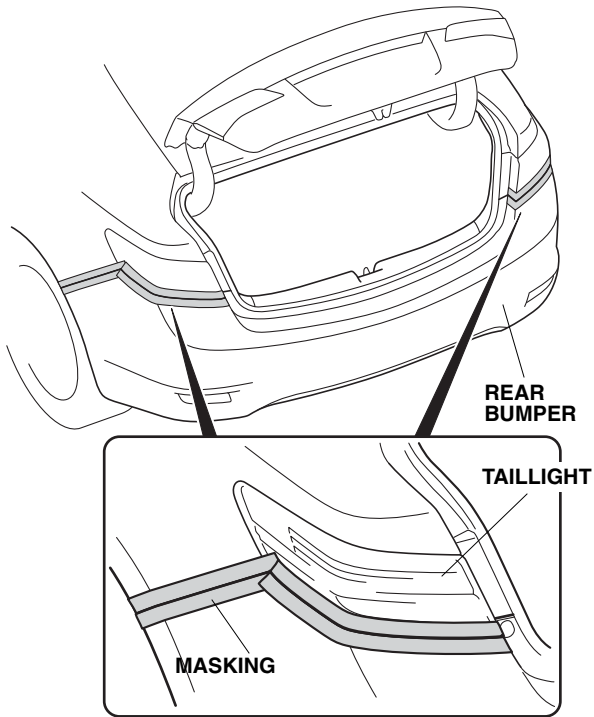
Client Information: The information in this installation instruction is intended for use only by skilled technicians who have the proper tools, equipment, and training to correctly and safely add equipment to your vehicle. These procedures should not be attempted by "do-it-yourselfers."

NOTE:

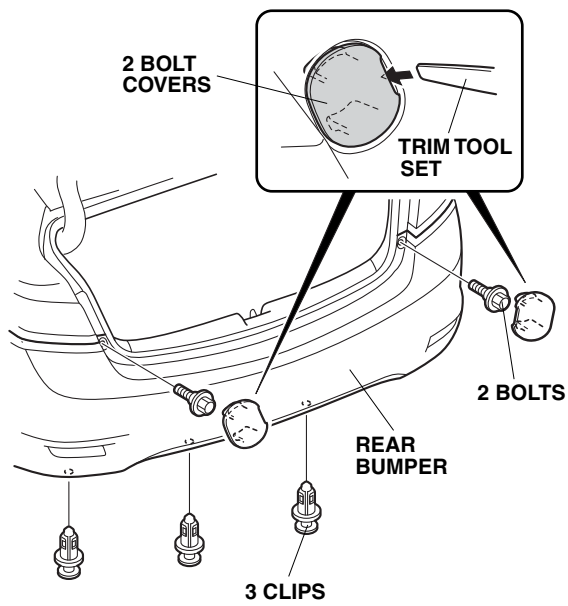
- Be careful not to damage the paint finish.
- This rear under spoilers kit should be installed only if the ambient air temperature is 15°C (60°F) or above.
- To allow the adhesive to cure, do not wash the vehicle for 24 hours. Please advise the client.

1. Remove the rear bumper:

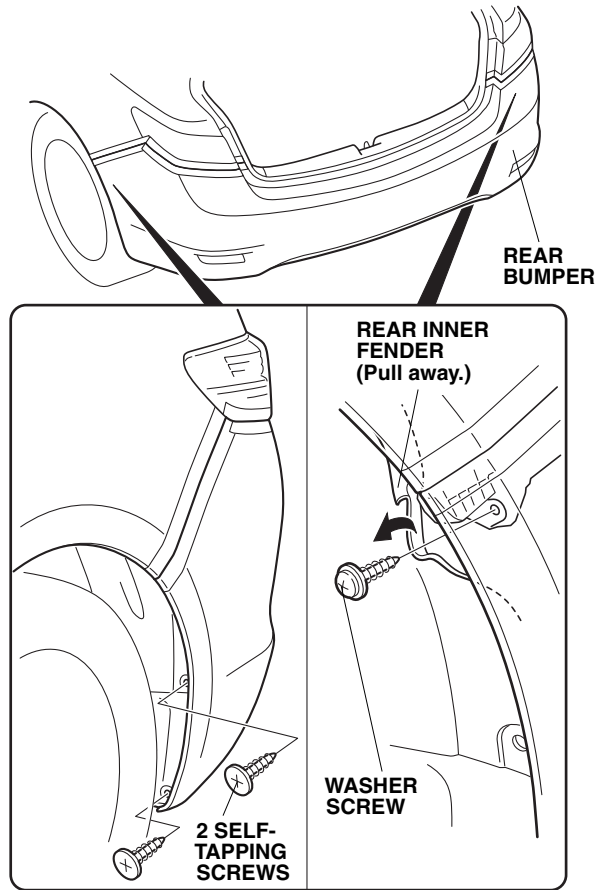
- Attach masking tape to the areas shown on each side.



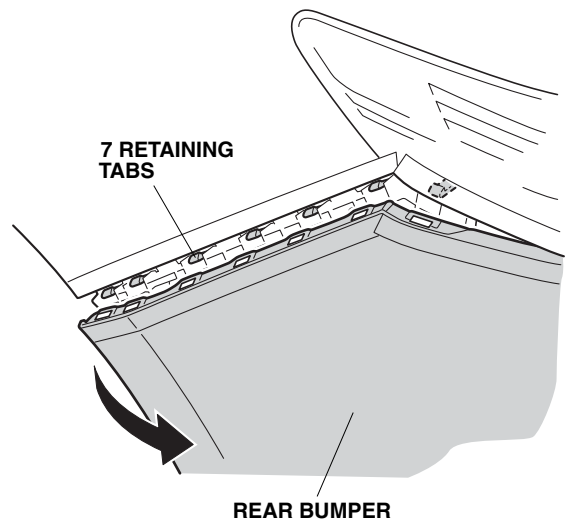
- Remove two bolt covers, two bolts, and three clips.



- Remove two self-tapping screws and one washer screw on each side.

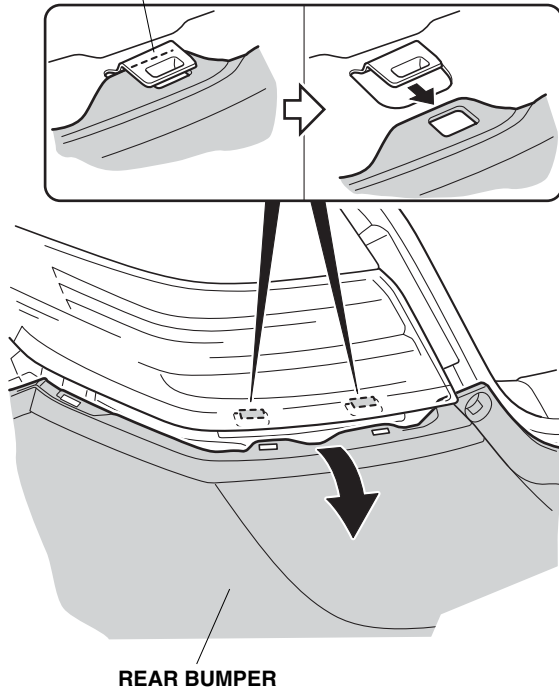


- Release seven retaining tabs on each side.



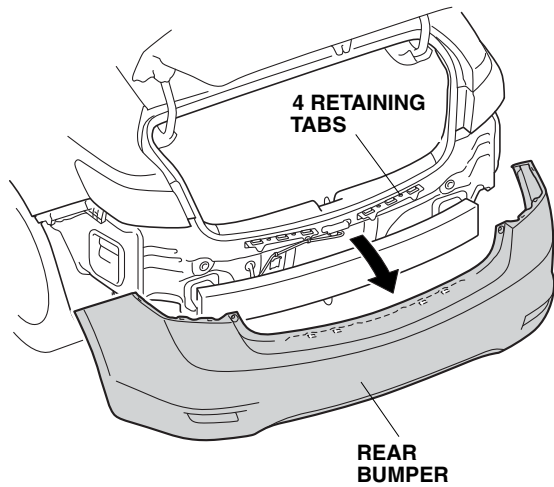
- Release two retaining tabs on each side.

2 RETAINING TABS



REAR BUMPER

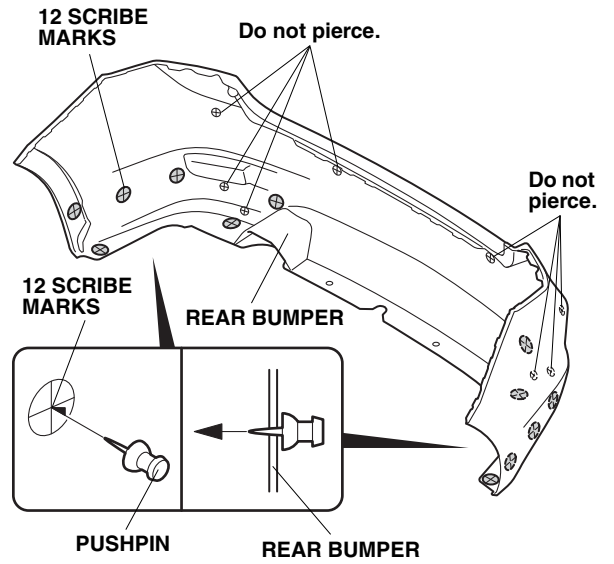
- With the help of an assistant, remove the rear bumper (four retaining tabs). Place the rear bumper on a blanket to prevent damage.



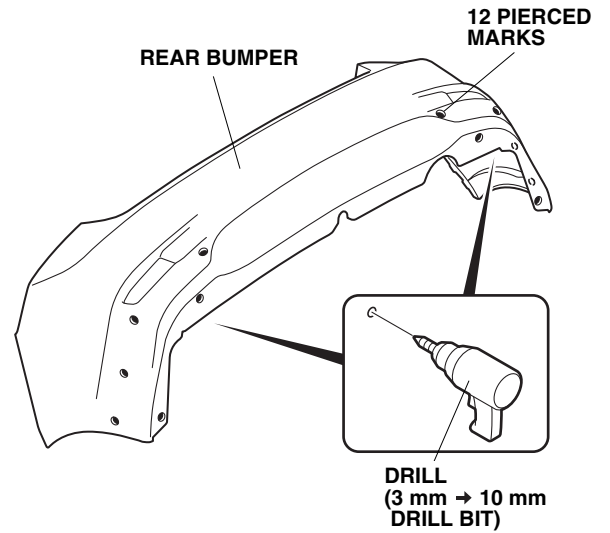
REAR BUMPER

2. On the inside of the rear bumper, locate the 12 scribe marks. Using a pushpin, pierce the centers of the 12 scribe marks.

NOTE: If necessary, use chalk to make the scribe marks more visible.

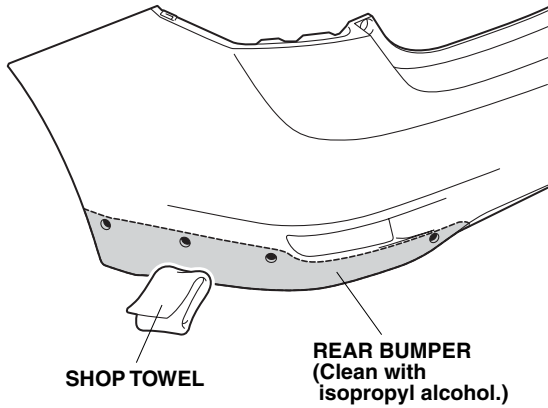


3. While wearing eye protection, drill the 12 pierced marks with a 3 mm drill bit. Enlarge the holes with a 10 mm drill bit.

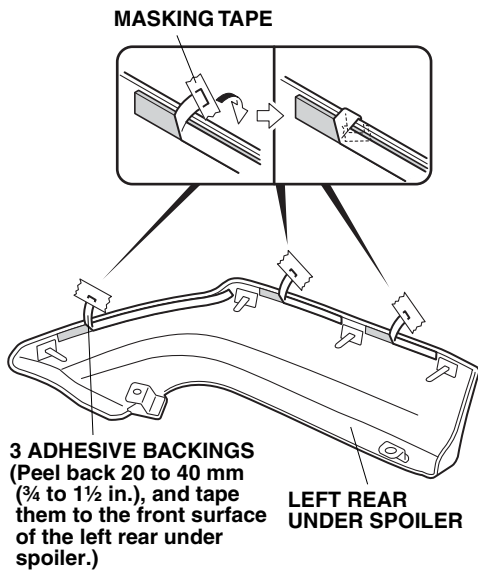


4. Using a deburring tool, remove any burrs from the holes.

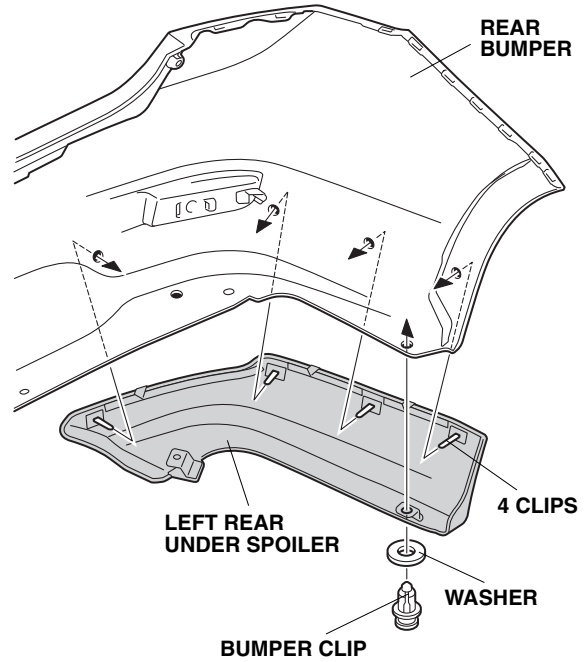
- Using isopropyl alcohol on a shop towel, thoroughly clean the rear bumper where the left rear under spoiler will attach.



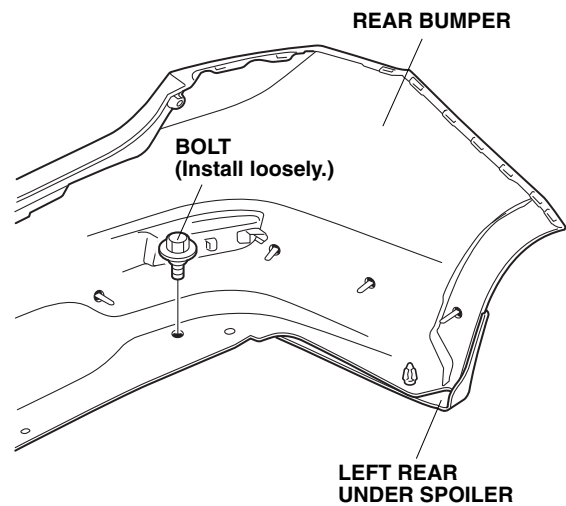
- Peel back about 20 to 40 mm ($\frac{3}{4}$ to $1\frac{1}{2}$ in.) of adhesive backing from each adhesive strip, and tape the ends to the front surface of the left rear under spoiler.



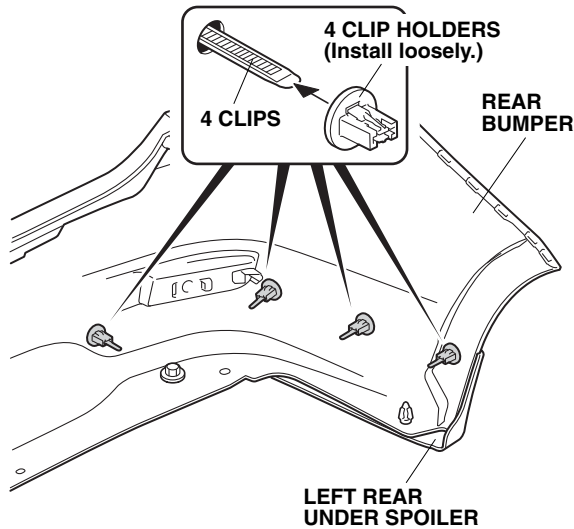
- Insert the four clips on the left rear under spoiler into the four holes in the bumper. Secure the left rear under spoiler with a bumper clip and washer from the kit.



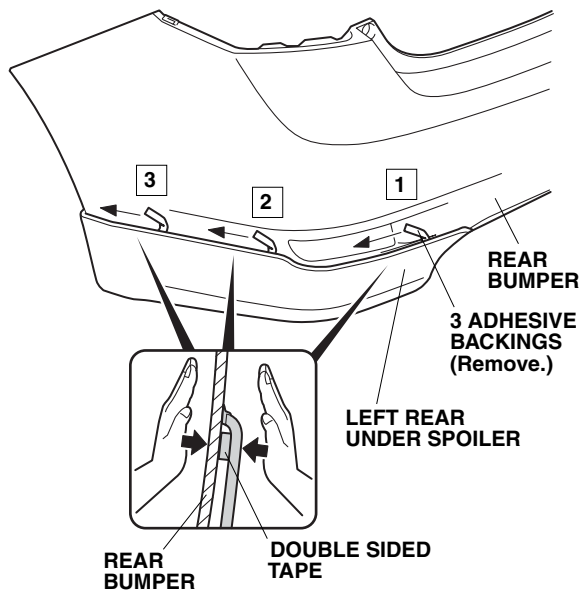
- Loosely install a bolt (supplied) through the hole in the bumper and into the under spoiler.



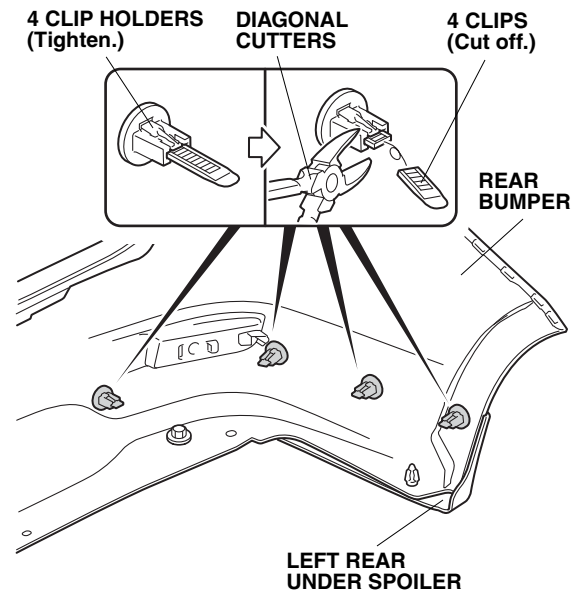
- Loosely install a clip holder onto each clip on the left rear under spoiler. Do not tighten the clips at this time.



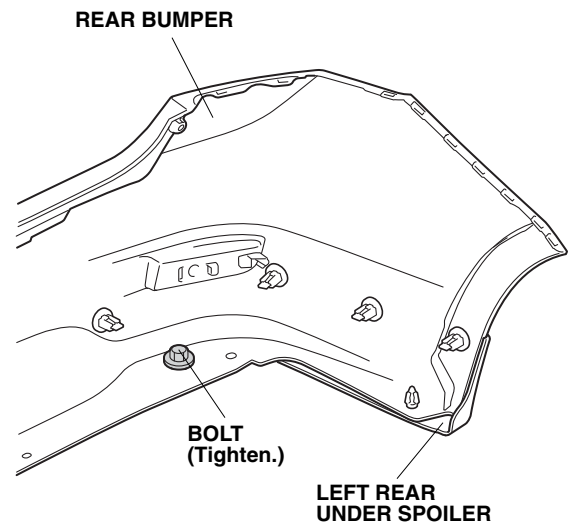
- Slowly and carefully remove the adhesive backing from the left rear under spoiler in the order shown. Press and hold the rear under spoiler against the rear bumper with the palms of your hands for 30 seconds.



- Tighten the four clip holders loosely installed in step 9.
NOTE: Do not overtighten the clip holders or they may deform the left rear under spoiler. Readjust the tightness if necessary.

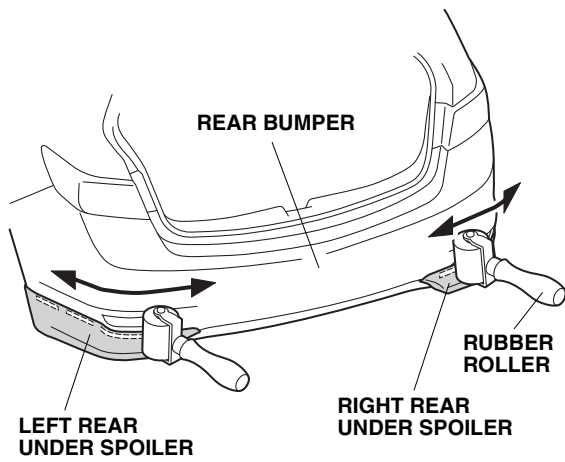


- Using diagonal cutters, cut the excess off of each clip.
- Torque the bolt installed in step 8 to 10 N·m (7.5 lbf·ft).



- Repeat steps 5 through 13 to install the right rear under spoiler on the right side of the rear bumper.

15. With the help of an assistant, reinstall the rear bumper.



16. Using a rubber roller, apply firm pressure, especially at the ends, to set the adhesive.