



INSTALLATION INSTRUCTIONS

Accessory
FRONT UNDER SPOILER

Application
2015 ILX
2015 ILX Hybrid

Publications No.
BII 51690
Issue Date
MAY 2014

PARTS LIST

Left front under spoiler



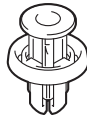
Right front under spoiler



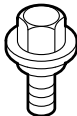
6 Clip holders



2 Bumper clips



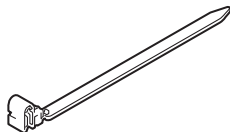
2 Bolts



2 Nuts



Wire tie with clip



TOOLS AND SUPPLIES REQUIRED

Phillips screwdriver

Pushpin

Drill

3 mm and 10 mm Drill bits

File

Masking tape

Diagonal cutters

Eye protection (face shield, safety goggles, etc.)

Isopropyl alcohol

Shop towel

Blanket

Ruler

Tape

Ratchet

10 mm Socket

Torque wrench

The following tools are available through the Honda Tool and Equipment Program. On the iN, click on: Service > Service Bay > Tool and Equipment Program, then enter the number under "Search". Or, call 888-424-6857.

Trim Tool Set (T/N SOJATP2014)

Rubber Roller (T/N MHLE54D)

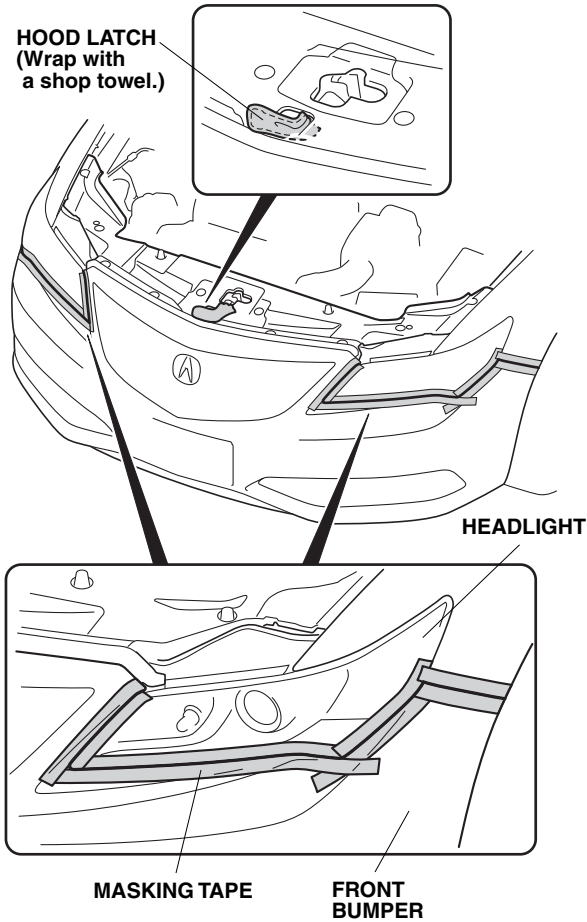
INSTALLATION

Client Information: The information in this installation instruction is intended for use only by skilled technicians who have the proper tools, equipment, and training to correctly and safely add equipment to your vehicle. These procedures should not be attempted by "do-it-yourselfers."

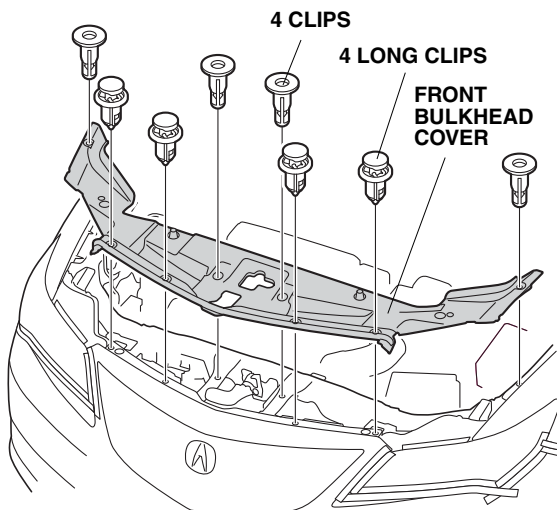
NOTE:

- Be careful not to damage the paint finish.
- This front under spoilers kit should be installed only if the ambient air temperature is 15°C (60°F) or above.
- To allow the adhesive to cure, do not wash the vehicle for 24 hours. Please advise the client.

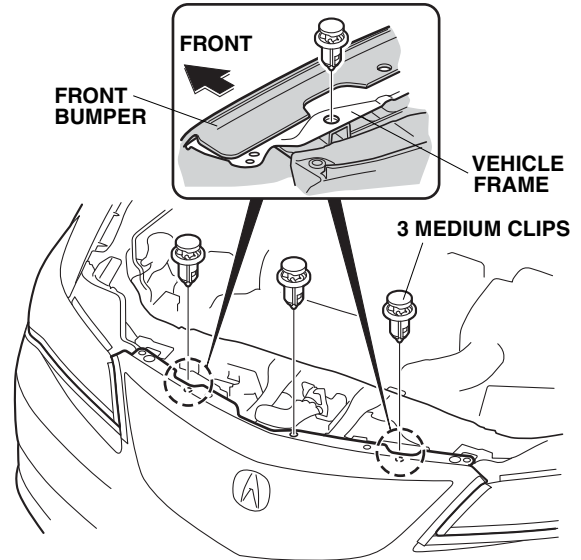
1. Remove the front bumper:
 - Attach masking tape to the areas shown on each side.
 - Wrap a shop towel around the hood latch.



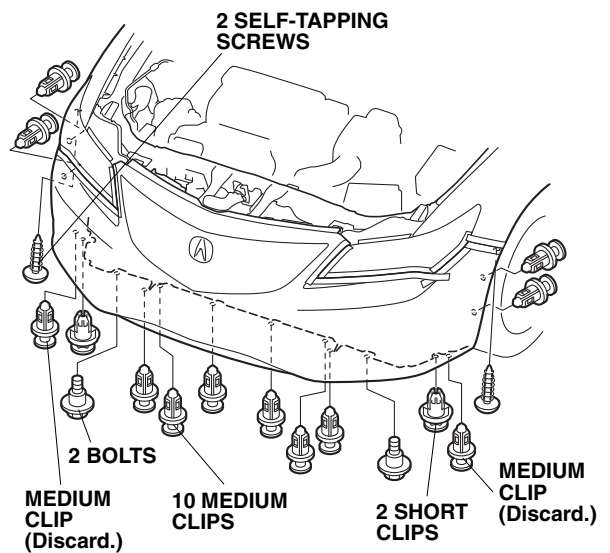
- Remove the front bulkhead cover (four clips and four long clips).



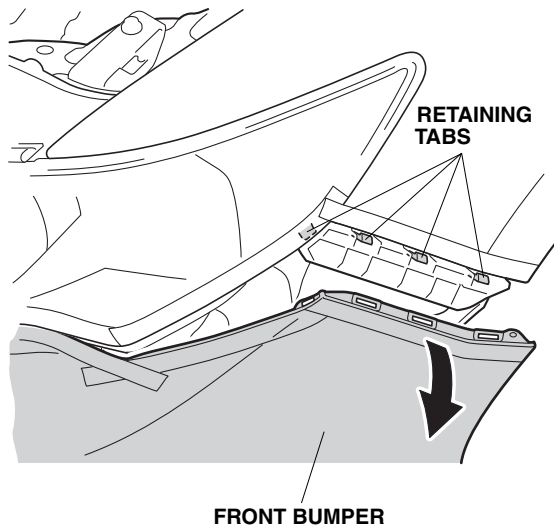
- Remove three medium clips.



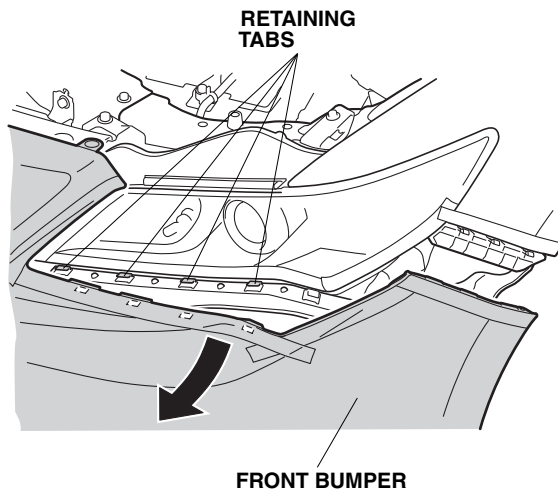
- Remove 2 self-tapping screws, 2 bolts, 2 short clips, and 12 medium clips.



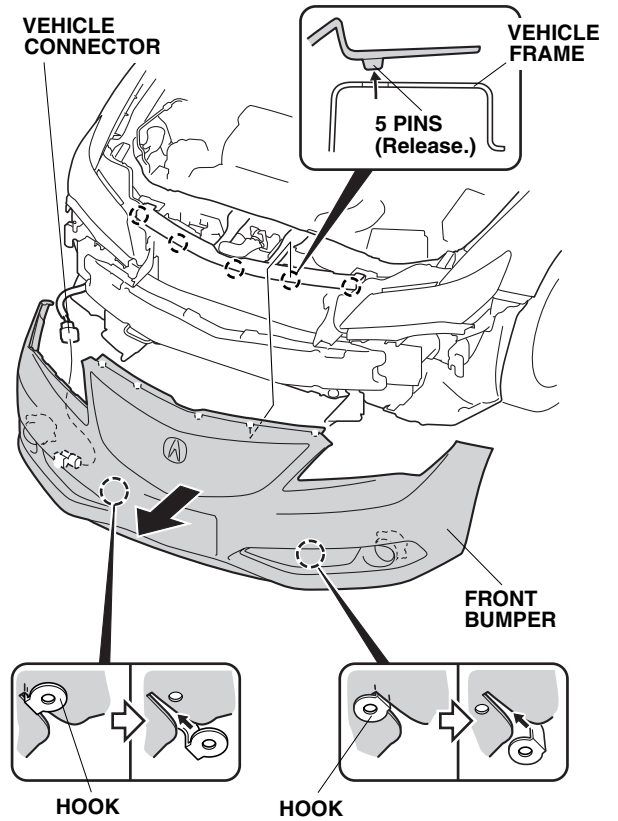
- Release four retaining tabs on each side.



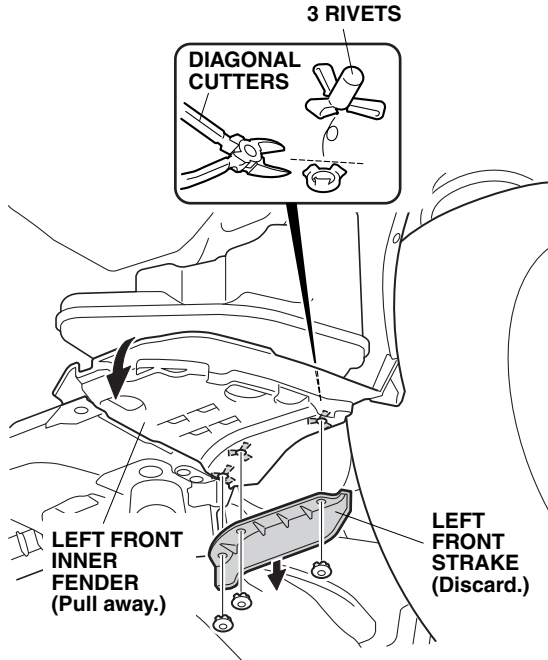
- With the help of an assistant, release four retaining tabs on each side.



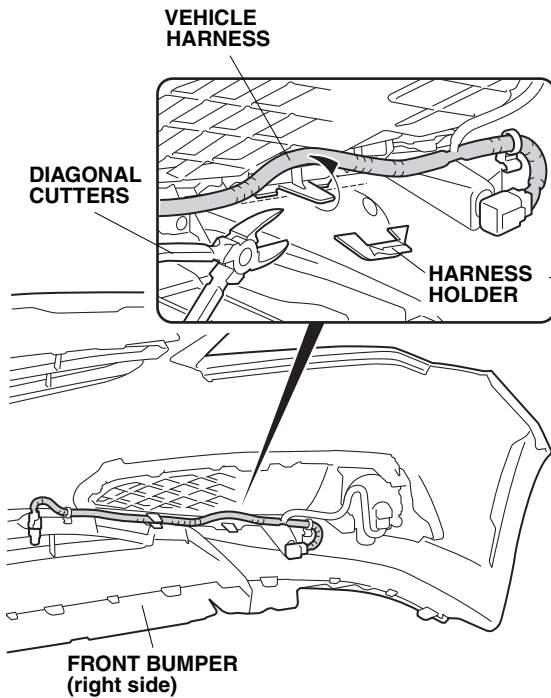
- With the help of an assistant, remove the front bumper (unplug the vehicle connector, and release five pins). Place the front bumper on a blanket to prevent damage.



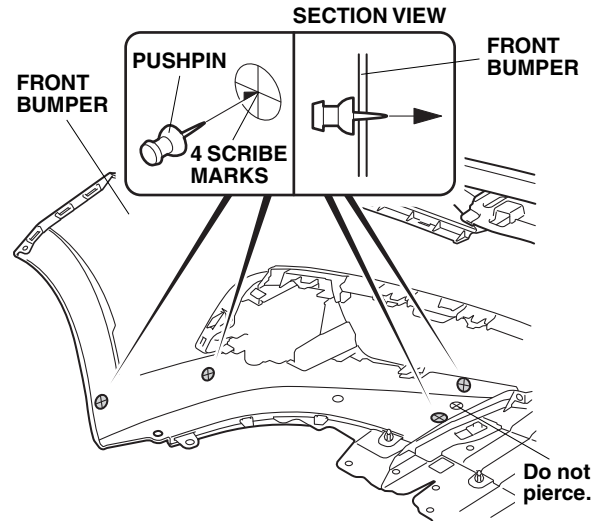
2. Locate the three rivets on the inside of the left front inner fender. Using diagonal cutters, cut and remove the rivets. Remove the left front strake.



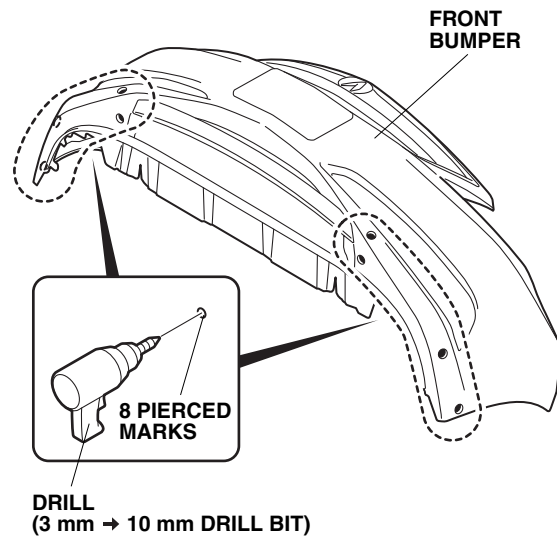
3. Repeat step 2 to remove the right front strake.
4. Cut the harness holder as shown.



5. Using a pushpin, pierce the centers of four scribe marks on the left side of the front bumper.

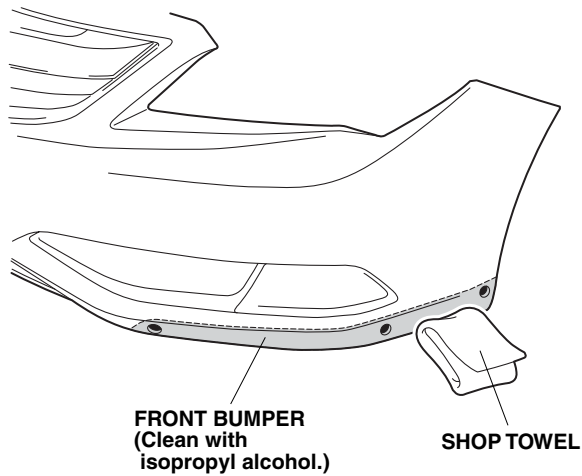


6. Repeat step 5 to pierce four scribe marks on the right side of the front bumper.
7. While wearing eye protection, drill eight pierced marks with a 3 mm drill bit, then enlarge the holes to 10 mm with a 10 mm drill bit. Drill from the painted side of the bumper.

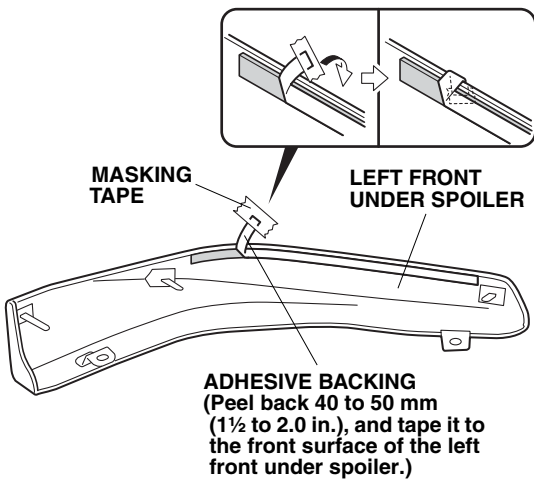


8. Using a file, remove any burrs from the holes.

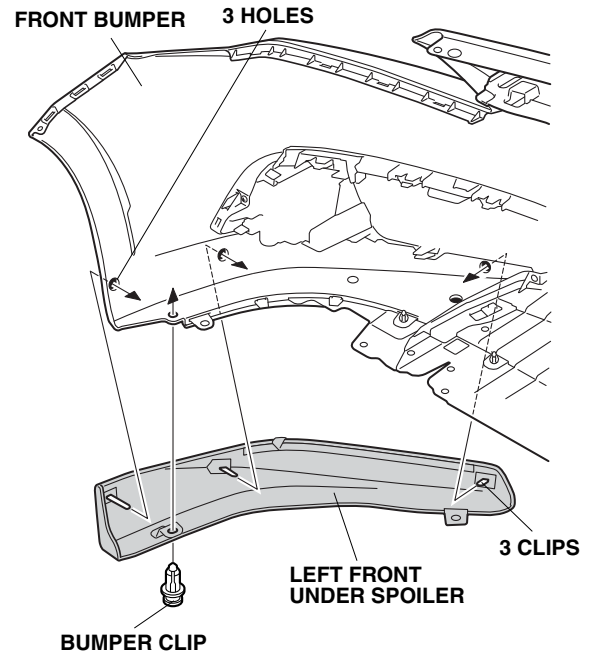
9. Using isopropyl alcohol on a shop towel, thoroughly clean the front bumper where the left front under spoiler will attach.



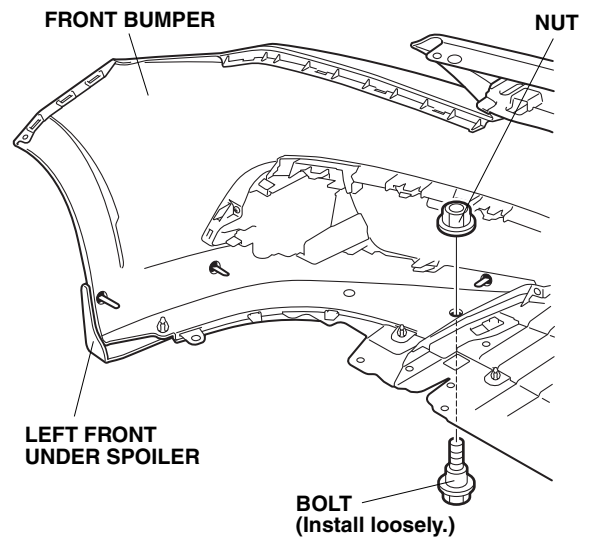
10. Peel back about 40 to 50 mm (1½ to 2.0 in.) of adhesive backing from the adhesive strip, and tape the end to the front surface of the left front under spoiler.



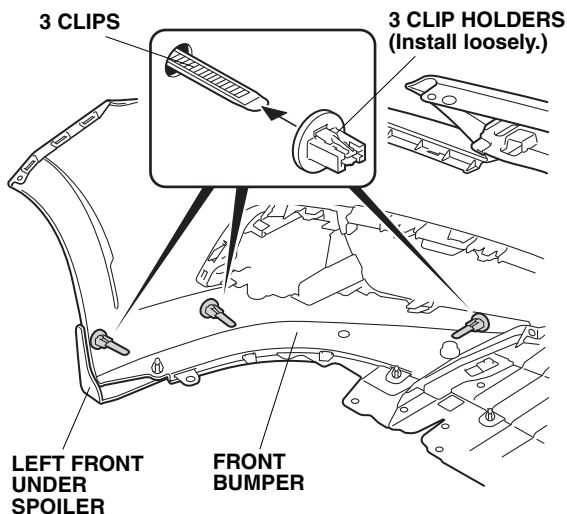
11. Insert the three clips on the left front under spoiler into three holes in the front bumper. Secure the left front under spoiler one supplied bumper clip.



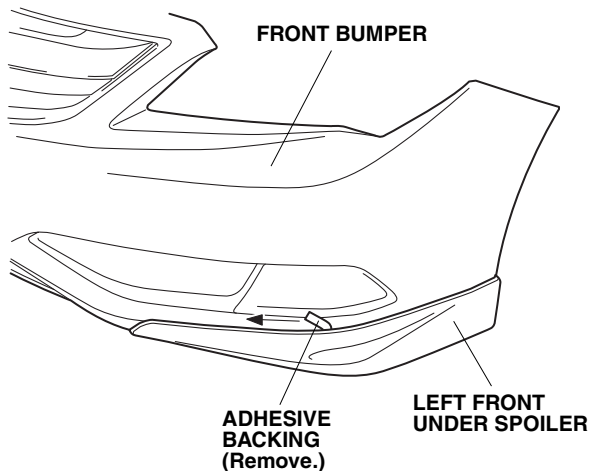
12. Loosely install the nut and bolt (supplied).



- Loosely install one clip holder onto each clip on the left front under spoiler. Do not tighten the clips at this time.

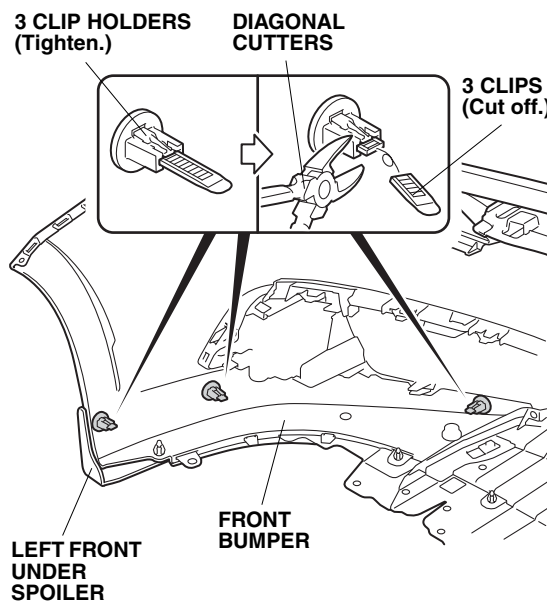


- Slowly and carefully remove the adhesive backing from the left front under spoiler. Press and hold the front under spoiler against the front bumper with the palm of your hand for 30 seconds.

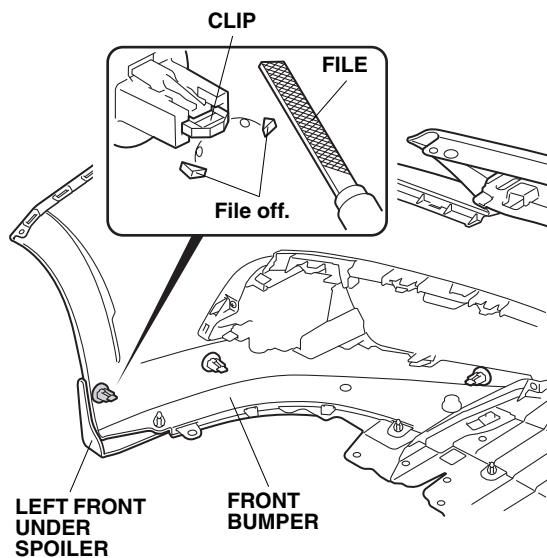


- Tighten the three clip holders loosely installed in step 13.

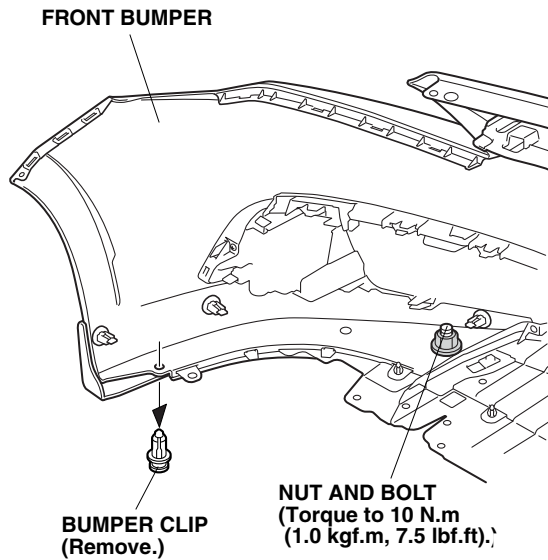
NOTE: Do not overtighten the clip holders or they may deform the left front under spoiler. Readjust the tightness if necessary.



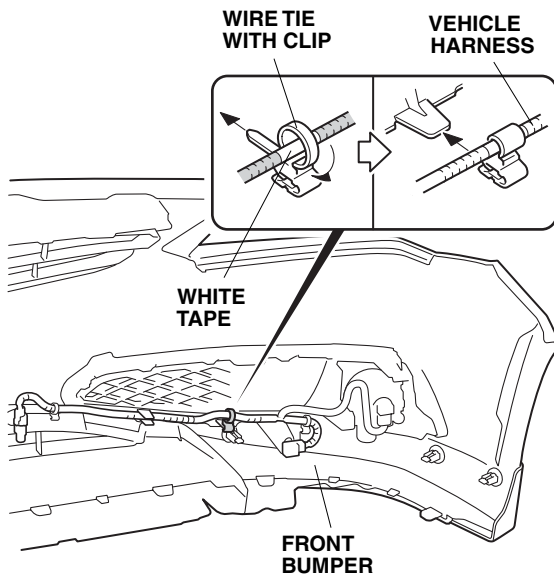
- Using diagonal cutters, cut the excess off of each clip.
- Using a file, file off the end of one clip as shown.



18. Torque the nut and bolt installed in step 12 to 10 N·m (7.5 lbf·ft).

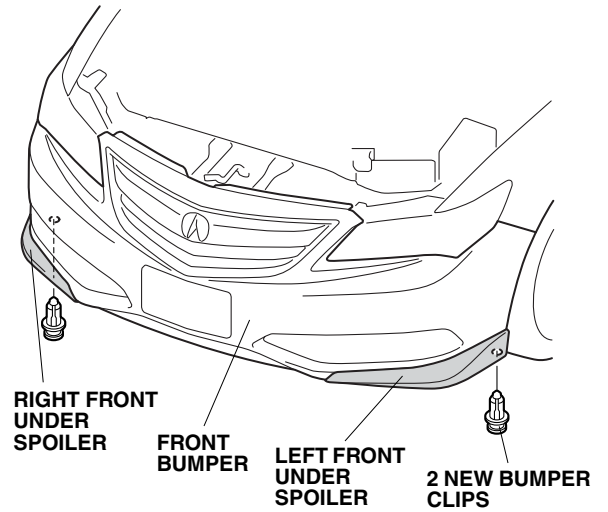


19. Remove the bumper clip installed in step 11.
20. Repeat steps 9 through 19 to install the right front under spoiler on the right side of the front bumper.
21. Install one wire tie with clip to the vehicle harness at the white tape.

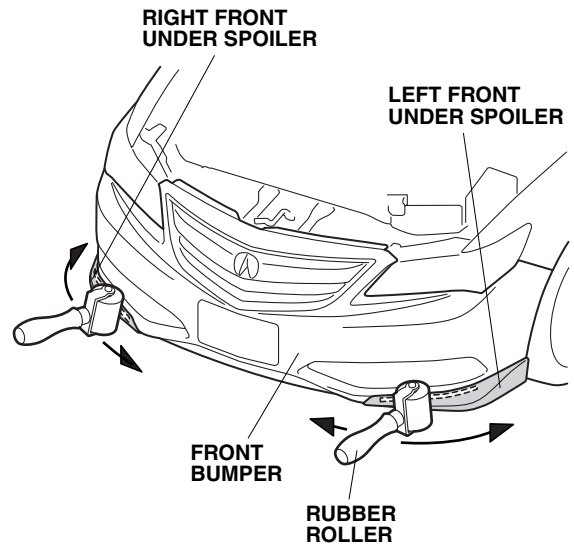


22. Secure the vehicle harness to the front bumper.

23. With the help of an assistant, reinstall the front bumper.



24. Using a rubber roller, apply firm pressure, especially at the ends, to set the adhesive.



Give a Copy of This Page to Your Client

- Before towing this vehicle, refer to the instructions in the vehicle owner's manual.
- When using a towing hook, wrap a towel around the tow rope to prevent damage to the front under spoiler.

