



# INSTALLATION INSTRUCTIONS

Accessory  
**SPLASH GUARDS**

Application  
**2014 TSX**

Publications No.  
**BII 50206**  
Issue Date  
**SEPT 2013**

## PARTS LIST

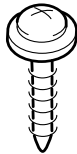
Left front splash guard



Right front splash guard



12 Self-tapping screws



Left rear splash guard



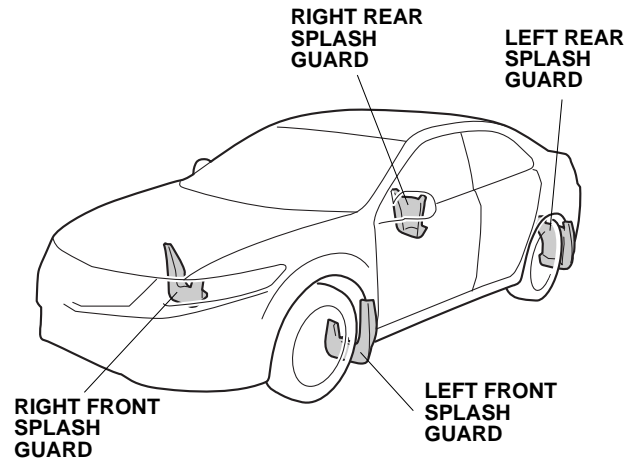
Right rear splash guard



## TOOLS AND SUPPLIES REQUIRED

Stubby Phillips screwdriver  
Pushpin

### *Illustration of the Splash Guards on the Vehicle*



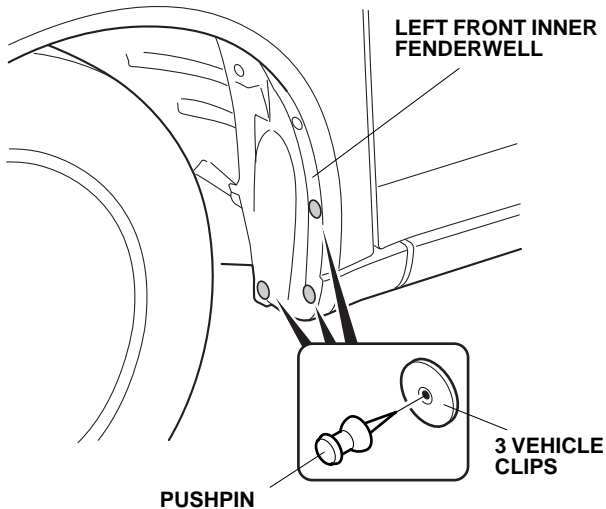
## INSTALLATION

### NOTE:

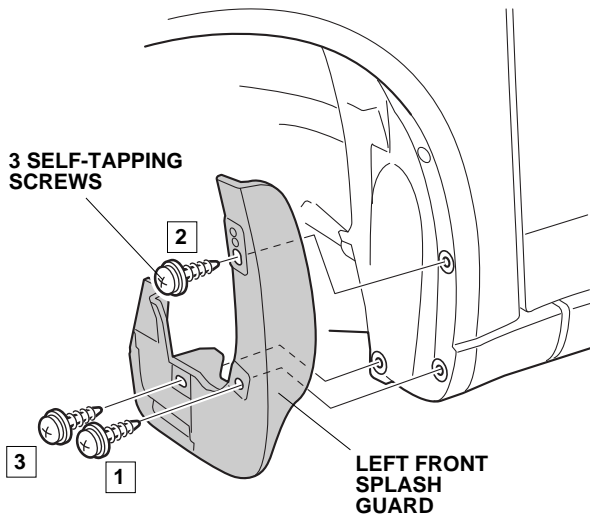
- These instructions show the left splash guards being installed. The same procedure applies to installing the right splash guards.
- Clean and wax the areas to be covered with a high-quality paste wax.

## Installing the Front Splash Guards

1. Turn the steering wheel fully counterclockwise.
2. Using a pushpin, pierce the centers of the three vehicle clips in the left front inner fenderwell.



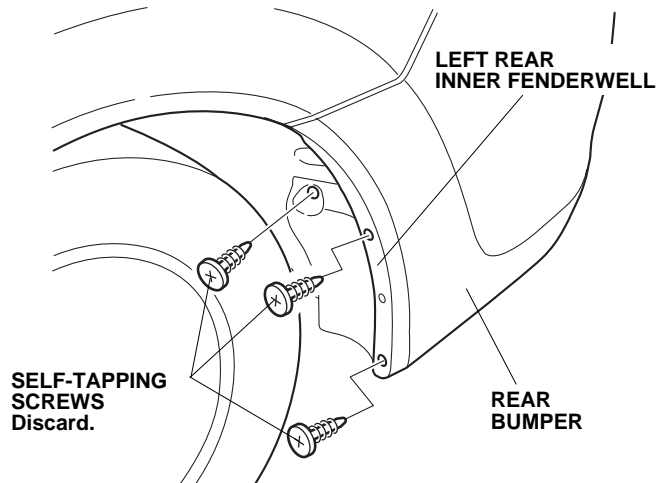
3. Secure the left front splash guard with three self-tapping screws, in the order shown below. If there is a gap between the left front splash guard and the vehicle, loosen the three self-tapping screws, and retighten them while pushing in on the splash guard.



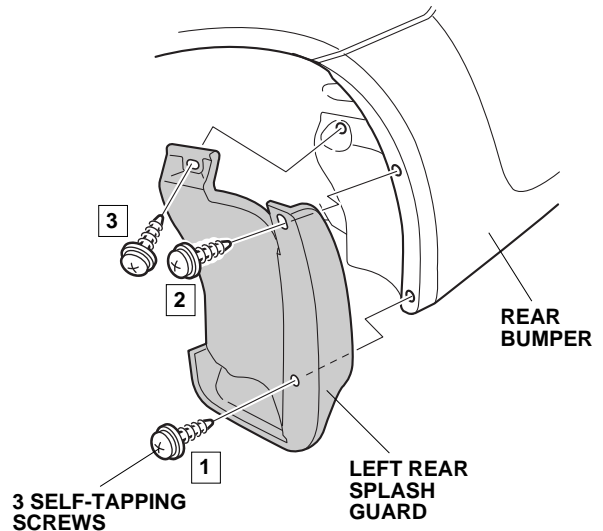
4. Turn the steering wheel clockwise, and repeat steps 2 and 3 to install the right front splash guard.

## Installing the Rear Splash Guards

5. Remove the three self-tapping screws from the left rear inner fenderwell.



6. Secure the left rear splash guard with three new self-tapping screws, in the order shown below. If there is a gap between the left rear splash guard and the vehicle, loosen the three self-tapping screws and retighten them while pushing in on the splash guard.



7. Repeat steps 5 and 6 to install the right rear splash guard.