



INSTALLATION INSTRUCTIONS

Accessory

ENGINE BLOCK HEATER
P/N 08T44-TA0-100

Application

2014 TSX
(L4)

Publications No.

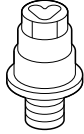
BII 50187

Issue Date

SEPT 2013

PARTS LIST

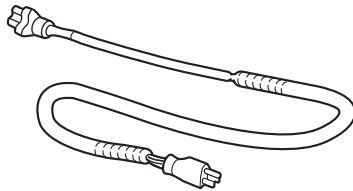
Engine block heater



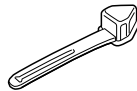
Aluminum washer



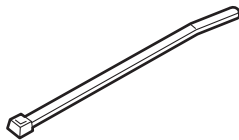
Heater harness



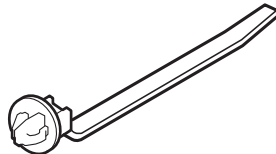
Protective cap



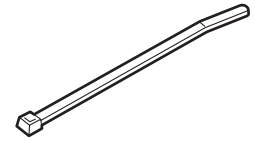
12 Black wire ties
(3 Not used)



5 Wire ties with clips



5 White wire ties
(Not used)



Coolant concentration label



TOOLS AND SUPPLIES REQUIRED

Phillips screwdriver

Flat-tip screwdriver

Ratchet

10 mm, 12 mm, and 24 mm Sockets

10 mm Hex Socket

Torque wrench

Diagonal cutters

Heavy gloves

Drain pan

Tape measure

White marker

Honda All-Season Antifreeze/Coolant Type 2

Honda Coolant Concentrate

Fender cover

Blanket

Plastic Trim Tool (T/N SILTRIMTL10)

4" Extension

NOTE: Using an extension longer than 4" will give you an incorrect torque reading.

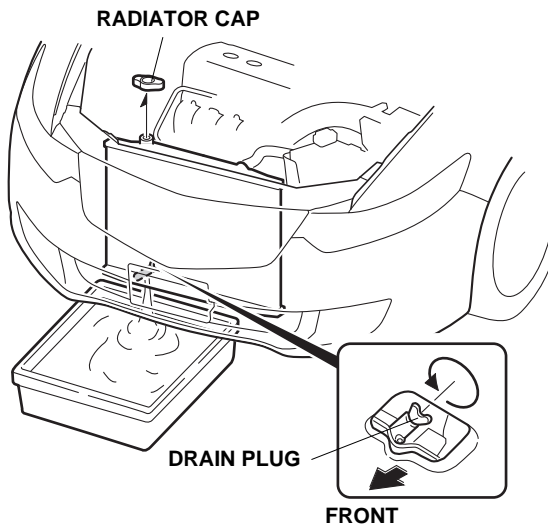
INSTALLATION

Client Information: The information in this installation instruction is intended for use only by skilled technicians who have the proper tools, equipment, and training to correctly and safely add equipment to your vehicle. These procedures should not be attempted by “do-it-yourselfers.”

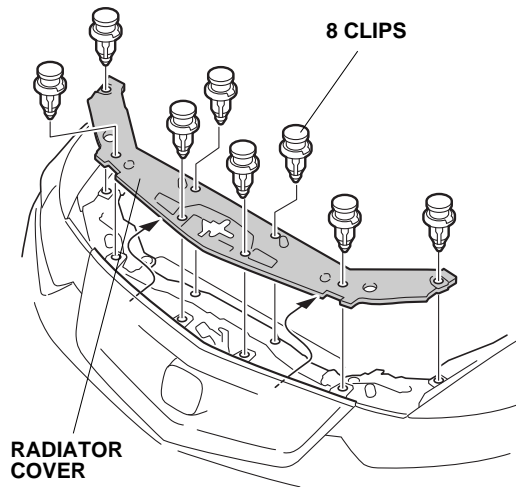
NOTE:

- Always use Honda All Season Antifreeze/Coolant Type 2 and Honda Coolant Concentrate. Using a non-Honda coolant can result in corrosion, causing the cooling system to malfunction or fail.
 - To avoid burning out the element, do not operate the engine block heater until it is installed in the vehicle and you have added coolant.
 - Follow steps 31 through 33 to increase the concentration rate of coolant to 60 ±2%.
1. Make sure you have the anti-theft code for the audio system or the navigation system (if equipped).
 2. Disconnect the negative cable from the battery.
 3. Allow the engine and all cooling system components to cool down.
 4. Place a clean drain pan under the radiator drain plug, then remove the drain plug from the bottom of the radiator to drain the coolant. Remove the radiator cap to increase the flow.

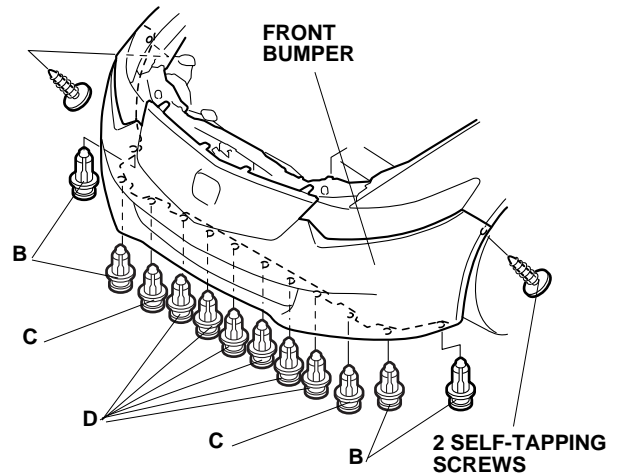
NOTICE: Radiator coolant will damage paint. Quickly rinse any spilled coolant from painted surfaces.



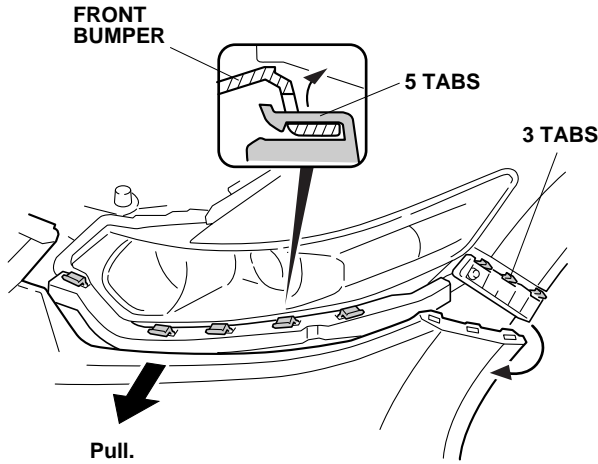
5. Remove the radiator cover (eight clips).



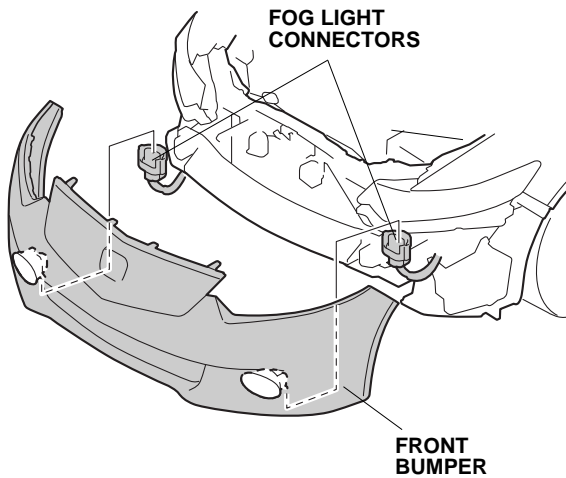
6. Remove the two self-tapping screws, ten short clips, and two long clips from the front bumper.



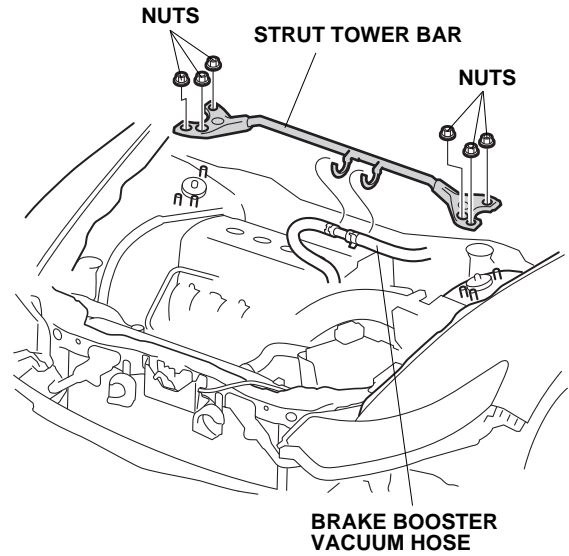
- Release the eight tabs, and pull the front bumper toward you. Release the eight tabs from the other side the same way.



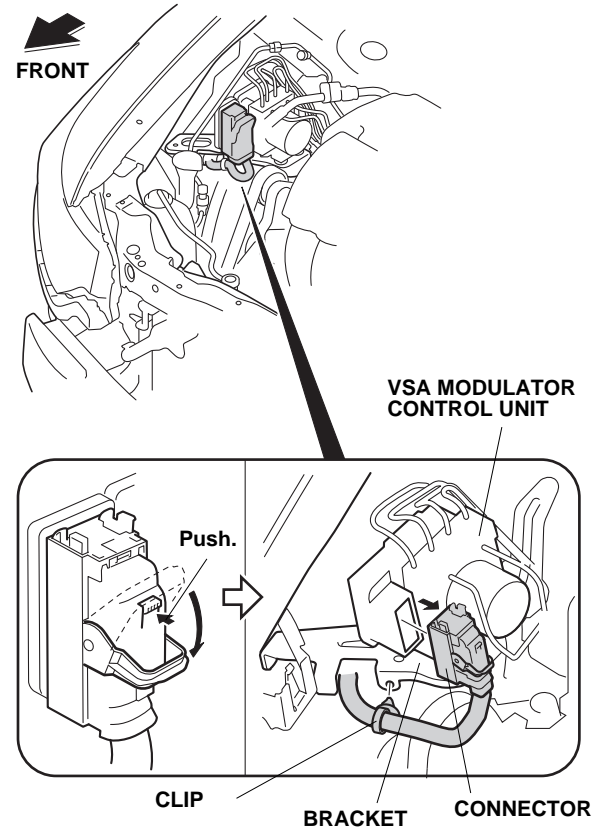
- Remove the front bumper (unplug the two fog light connectors).
 - Have an assistant help you when removing the front bumper.
 - Place the front bumper on a blanket to prevent damage.



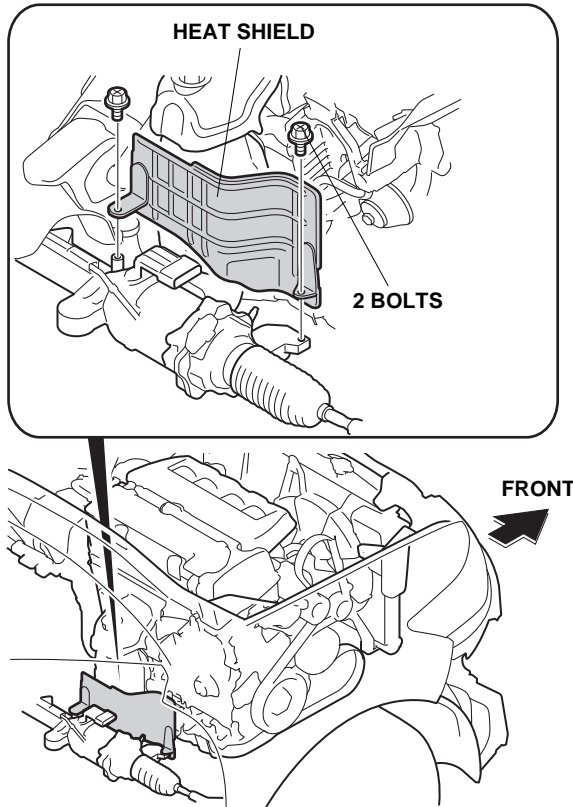
- Remove the strut tower bar (six nuts and release the brake booster vacuum hose).



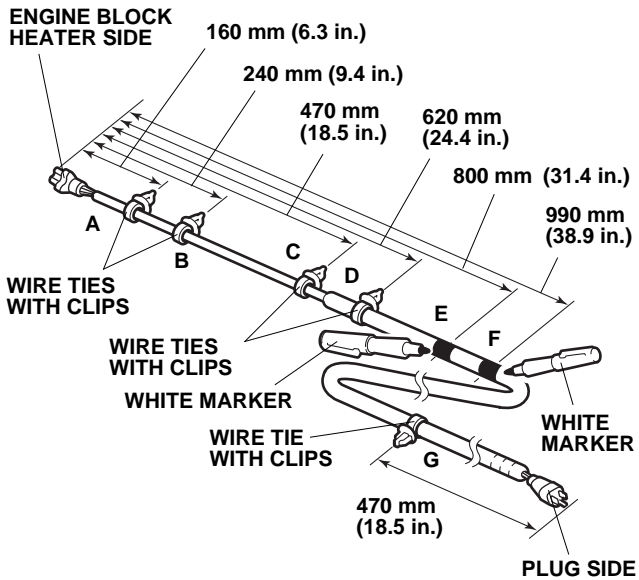
- Disconnect the connector from the VSA modulator control unit, and release the vehicle clip from the bracket.



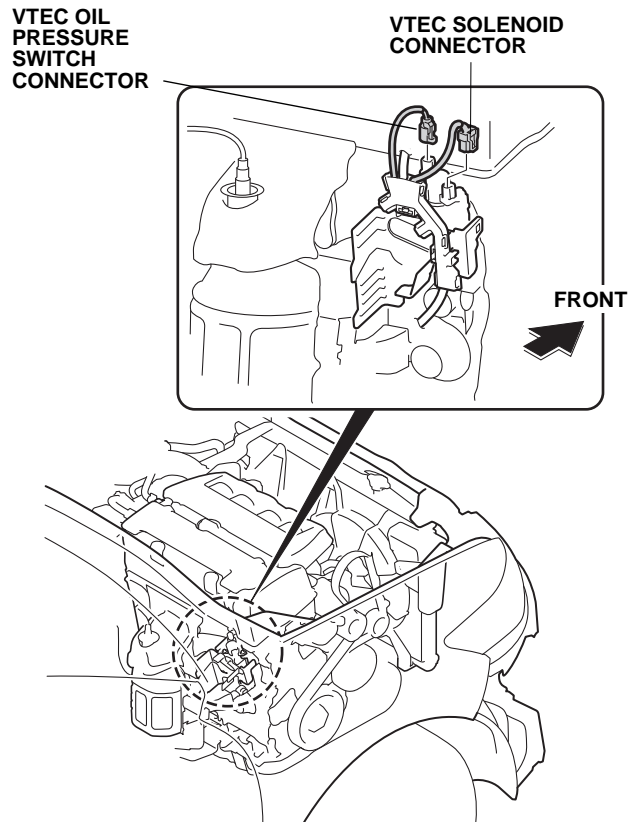
11. Remove the heat shield (two bolts).



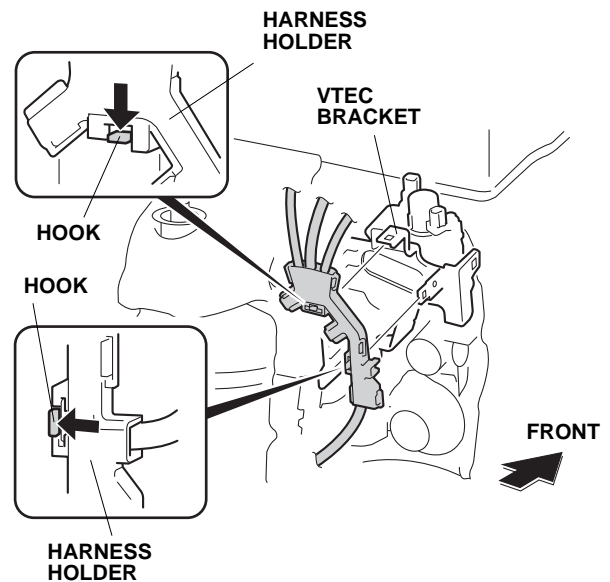
12. Using a tape measure, install a wire tie with clip to the heater harness at each of the measurements shown. Using a white marker, measure and mark the heater harness at two points.



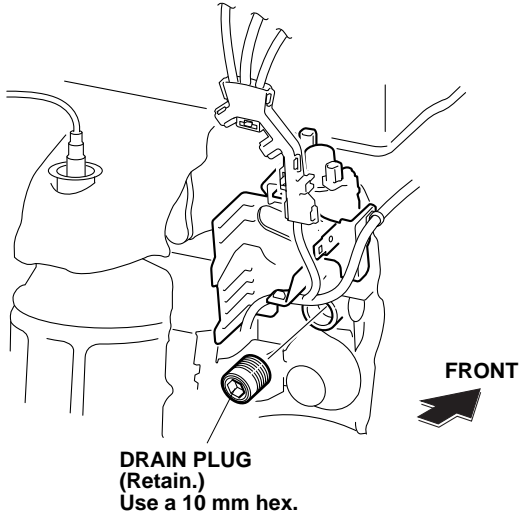
13. Disconnect the VTEC solenoid connector and the VTEC oil pressure switch connector.



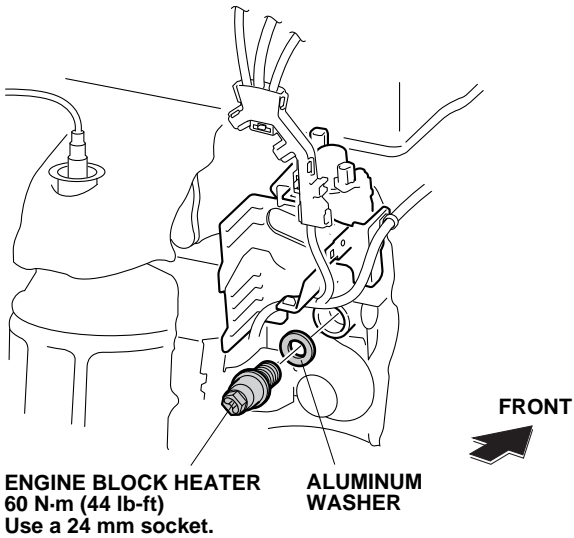
14. Release the harness holder from the VTEC bracket (two hooks).



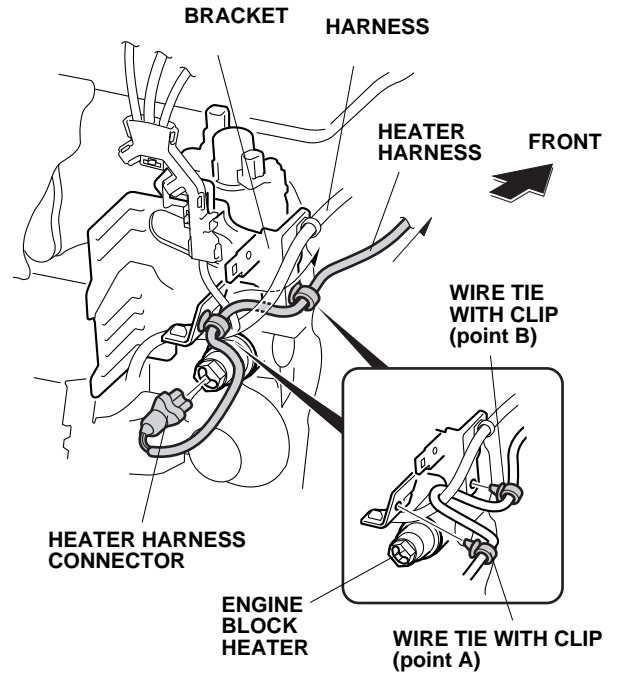
15. Using a 10 mm hex socket, remove the drain plug from the engine block. Remaining coolant will drain from the engine block when the plug is removed. Retain the plug; it will be used if the engine block heater is later removed.



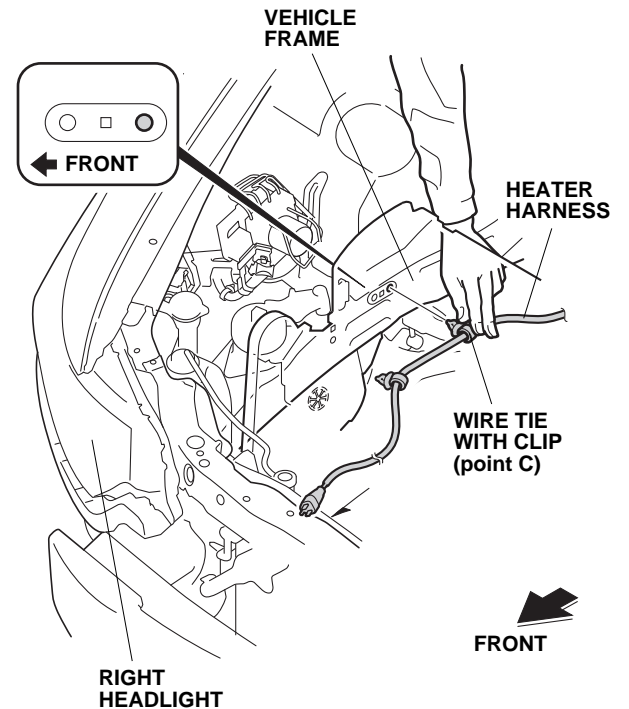
16. Install the engine block heater with the aluminum washer into the engine block using a 24 mm socket with a 100 mm (4 in.) extension. Torque the engine block heater to 60 N-m (44 lb-ft). Using an extension longer than 100 mm (4 in.) will give you an incorrect torque.



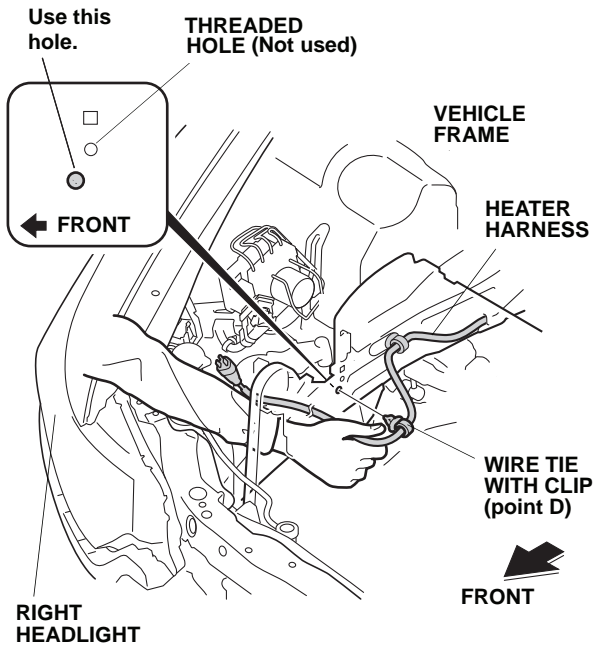
17. Plug the connector end of the heater harness into the engine block heater. Route the heater harness as shown, and secure the two wire ties with clips (points A and B) to the vehicle bracket.



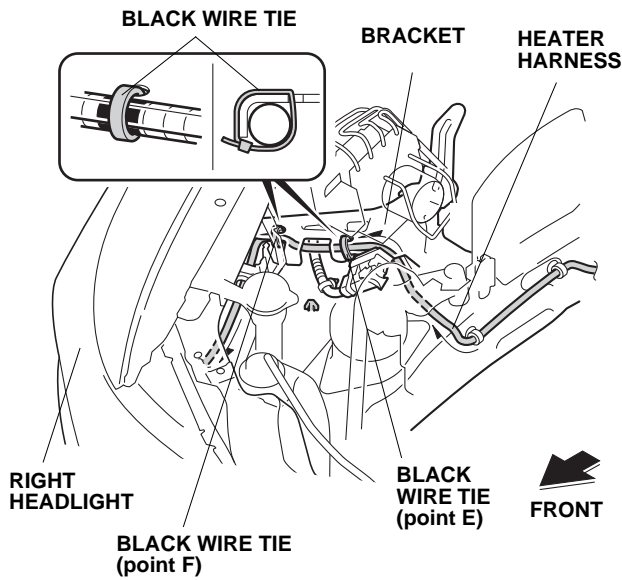
18. Route the heater harness as shown, and secure the wire tie with clip (point C) to the vehicle frame.



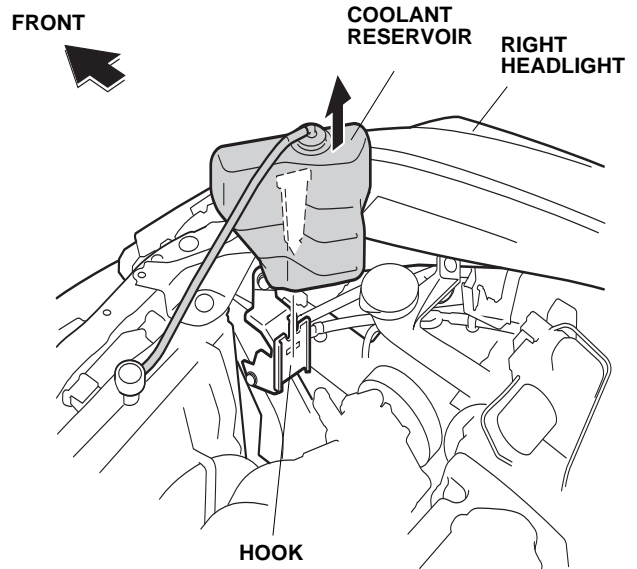
19. Route the heater harness as shown, and secure the wire tie with clip (point D) to the vehicle frame.



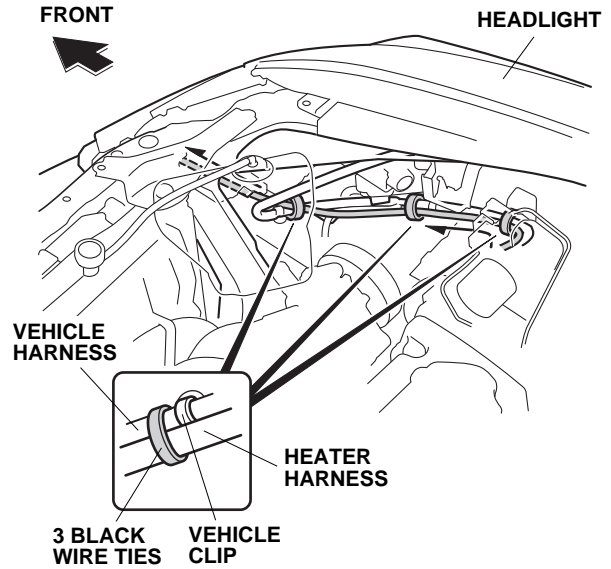
20. Route the heater harness as shown, and secure it to the bracket with two black wire ties (points E and F).



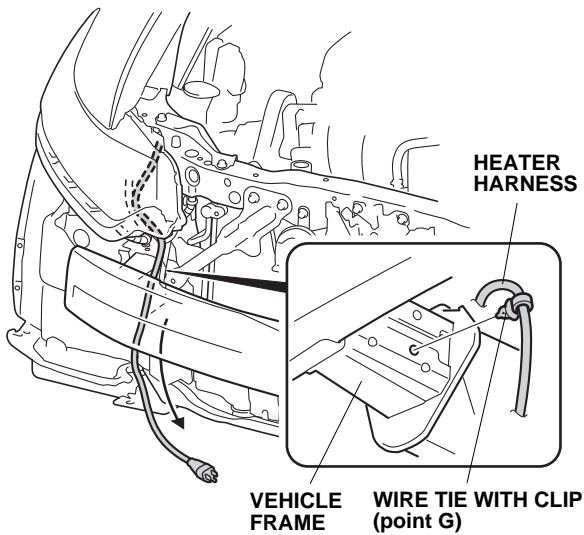
21. Release the coolant reservoir (one hook).



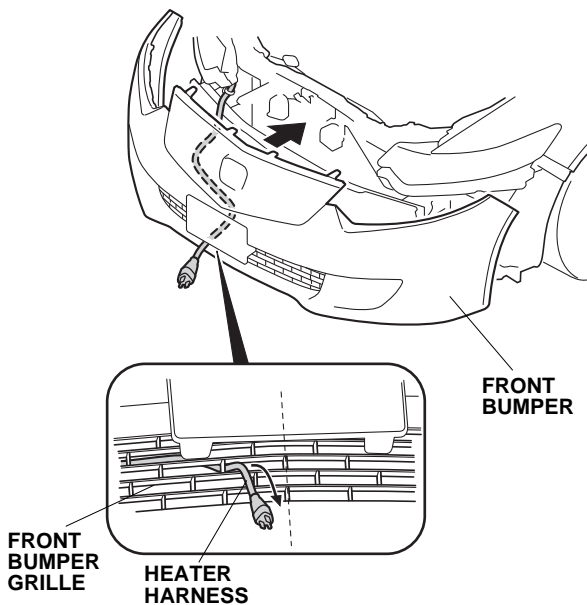
22. Route the heater harness as shown, and secure it to the vehicle harness with three black wire ties.



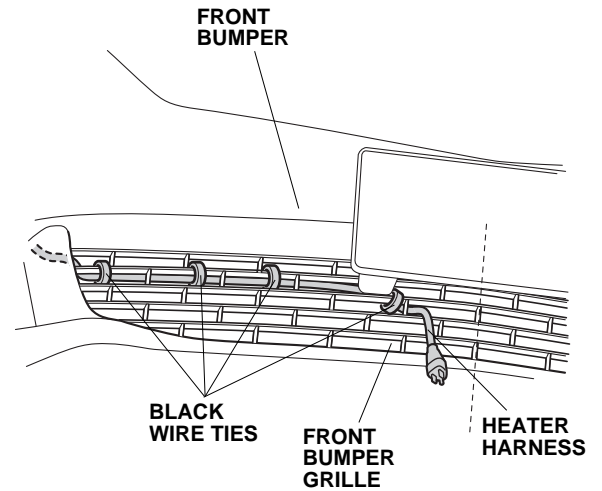
23. Route the heater harness as shown, and secure the wire tie with clip (point G) to the vehicle frame.



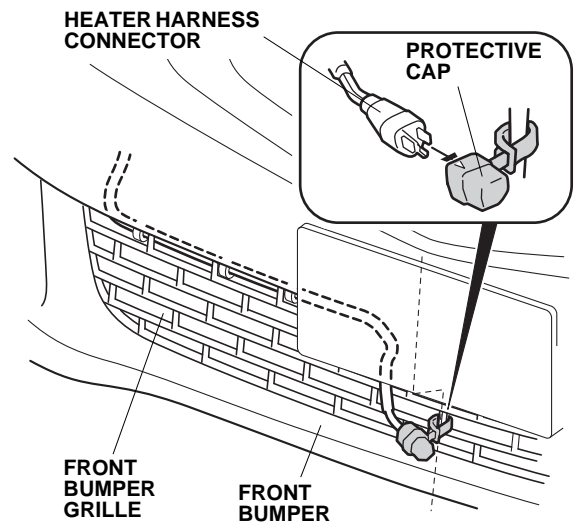
24. Bring the front bumper close to the vehicle. Route the heater harness to the front bumper grille as shown, and install the front bumper in the original position.
- Have an assistant help you when installing the front bumper.
 - Reconnect the fog light connectors.
 - Install the clips securely so that they are not raised.



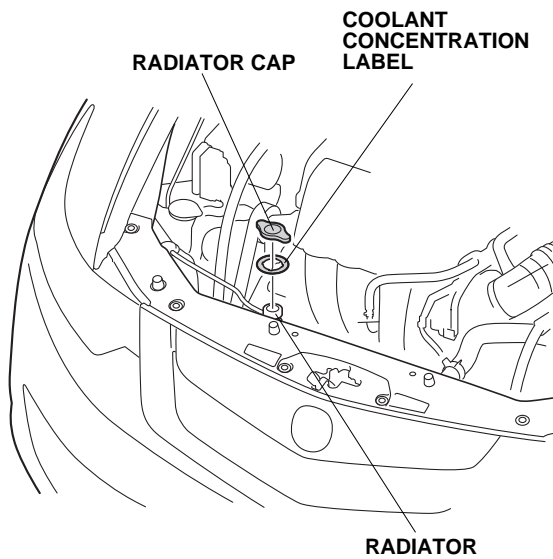
25. Secure the heater harness to the front bumper grille with four black wire ties.



26. Attach the protective cap to the front bumper grille, and plug the connector on the heater harness into the protective cap.



27. Reinstall all removed parts and connectors except for the radiator cap.
28. Check that the heater harness is routed properly and all connectors are plugged in.
29. Reconnect the negative cable to the battery.
30. Reinstall the radiator drain plug.
31. Pour 1.6 lit. of the 100% concentration coolant into the radiator filler port.
32. Pour the 50% concentration coolant up to the top of the radiator filler port.
33. Check the cooling system for proper bleeding, and check the coolant level according to the instructions described in the service manual.
34. Install the coolant concentration label to the radiator as shown.
35. Reinstall the radiator cap.



36. Put the drain plug (removed in step 15) in the glove box.
37. Enter the anti-theft codes for the audio system and the navigation system (if equipped).
38. Reset the clock (without navigation).