

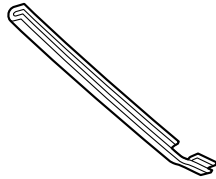


# INSTALLATION INSTRUCTIONS

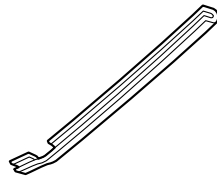
Accessory	Application	Publications No.
		BII 50184
		Issue Date
DOOR EDGE GUARDS	2014 TSX	SEPT 2013

## PARTS LIST

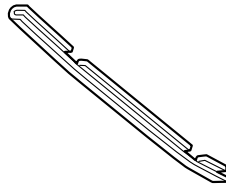
Right front door edge guard



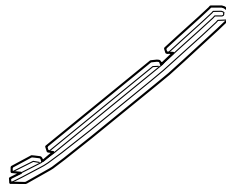
Left front door edge guard



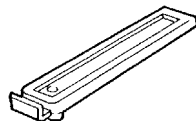
Right rear door edge guard



Left rear door edge guard



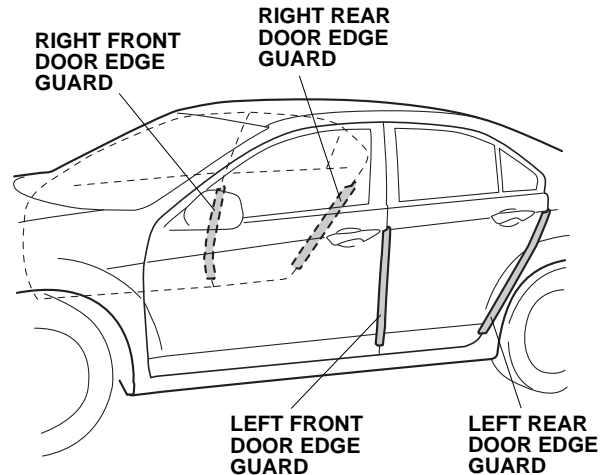
Seam- sealant cutting tool



## TOOLS AND SUPPLIES REQUIRED

- Rubber mallet
- Felt-tip pen
- Touch-up paint

### Illustration of the Door Edge Guards on the Vehicle



## INSTALLATION

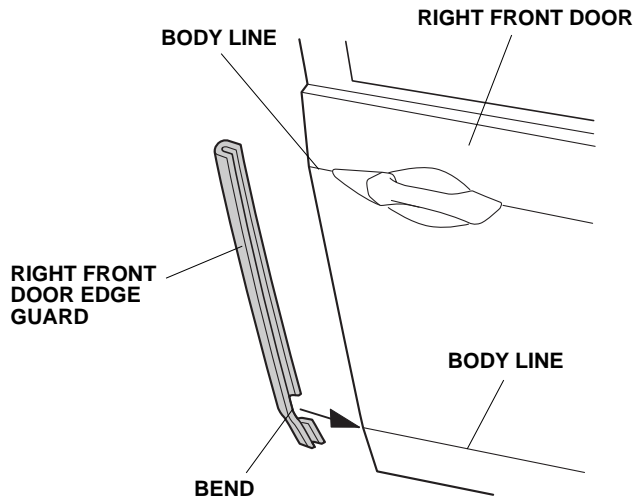
**Client Information:** The information in this installation instruction is intended for use only by skilled technicians who have the proper tools, equipment, and training to correctly and safely add equipment to your vehicle. These procedures should not be attempted by "do-it-yourselfers."

**NOTE:** This installation instruction shows the right door edge guards being installed. The same procedure applies to installing the left door edge guards.

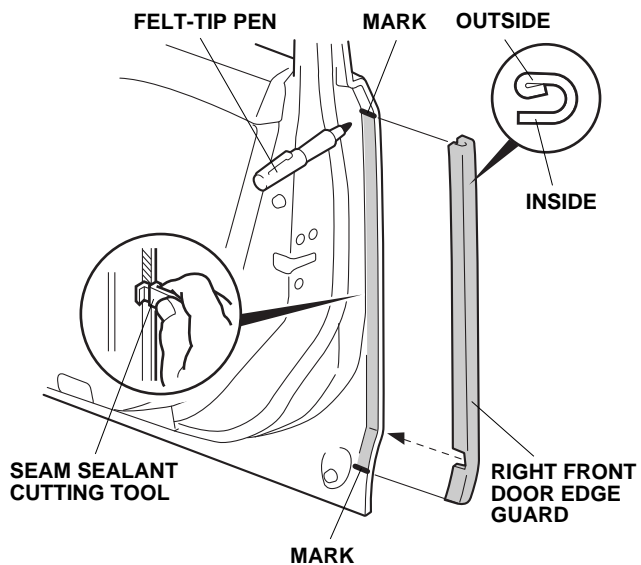
1. Clean and wax the area to be covered with a high-quality paste wax.
2. Identify each door edge guard by holding it up to the door and matching its contour with the door edge.

## Installing the Front Door Edge Guards

- Align the bend in the right front door edge guard with the rear edge of the body line as shown.



- Using a felt-tip pen, mark the inside edge of the front door at the upper and lower ends of the right front door edge guard.

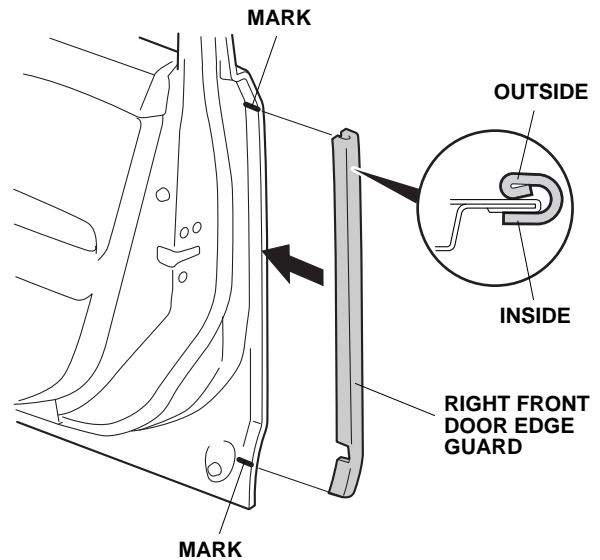


- Position the cutting edge of the seam sealant cutting tool against the door edge, and trim the seam sealant from mark to mark.

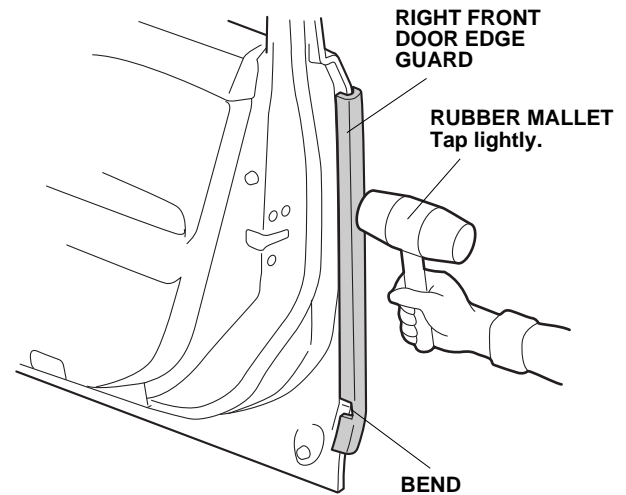
**NOTE:** The cutting tool cuts in only one direction. Move it upward on the right side of the vehicle and downward on the left side.

- Apply touch-up paint to the door, and let it dry.

- Position the right front door edge guard on the right front door edge.



- Using a rubber mallet, lightly tap around the bend in the right front door edge guard.

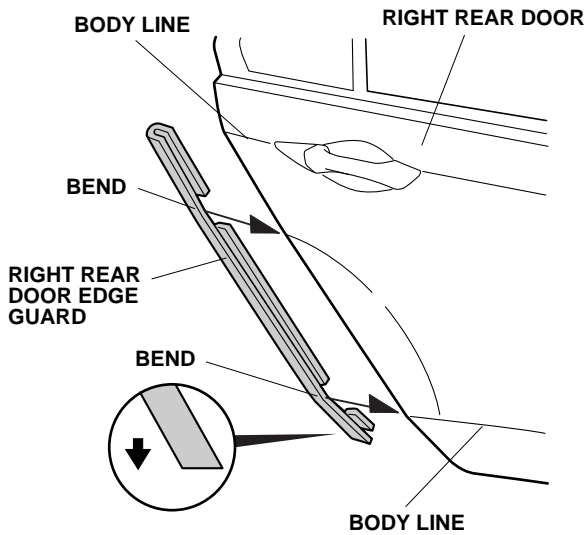


- Lightly tap the rest of the right front door edge guard into position.

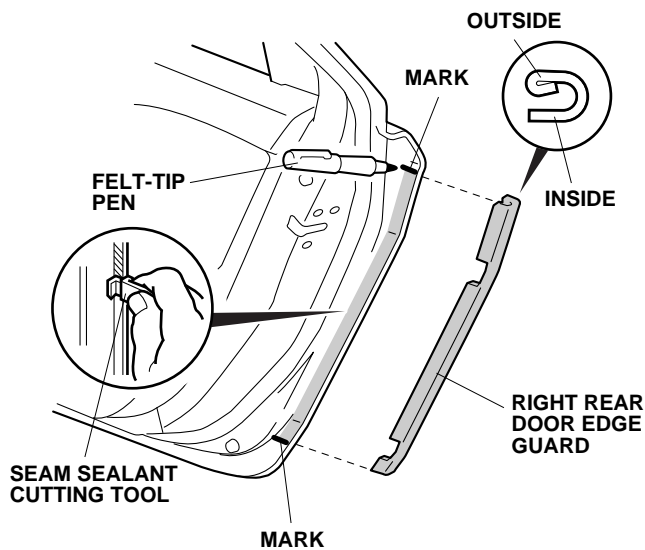
- Repeat steps 3 through 9 to install the left front door edge guard.

## Installing the Rear Door Edge Guards

- Align each bend in the right rear door edge guard with the rear edge of the body lines as shown.



- Using a felt-tip pen, mark the inside edge of the rear door at the upper and lower ends of the right rear door edge guard.

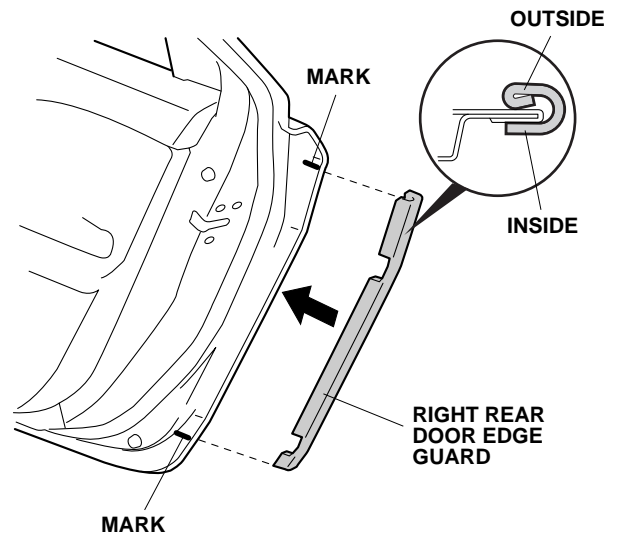


- Position the cutting edge of the seam sealant cutting tool against the door edge, and trim the seam sealant from mark to mark.

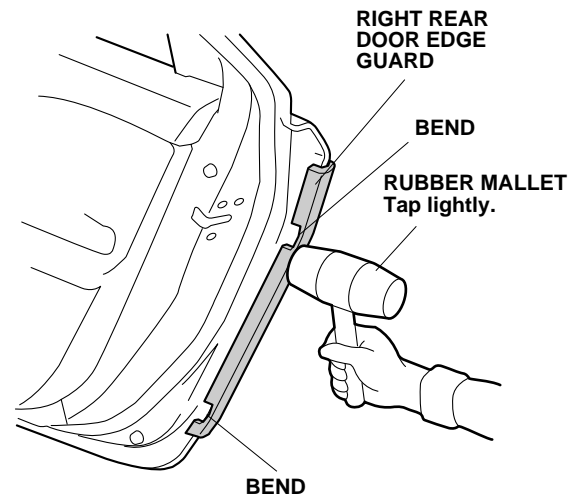
NOTE: The cutting tool cuts in only one direction. Move it upward on the right side of the vehicle and downward on the left side.

- Apply touch-up paint to the door, and let it dry.

- Position the right rear door edge guard on the right rear door edge.



- Using a rubber mallet, lightly tap around each bend in the right rear door edge guard.



- Lightly tap the rest of the right rear door edge guard into position.

- Repeat steps 11 through 17 to install the left rear door edge guard.