



INSTALLATION INSTRUCTIONS

Accessory
REAR UNDER SPOILERS

Application
2014 TL

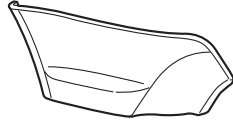
Publications No.
BII 50163
Issue Date
AUG 2013

PARTS LIST

Right rear under spoiler



Left rear under spoiler



2 Bolts



10 Clip holders



TOOLS AND SUPPLIES REQUIRED

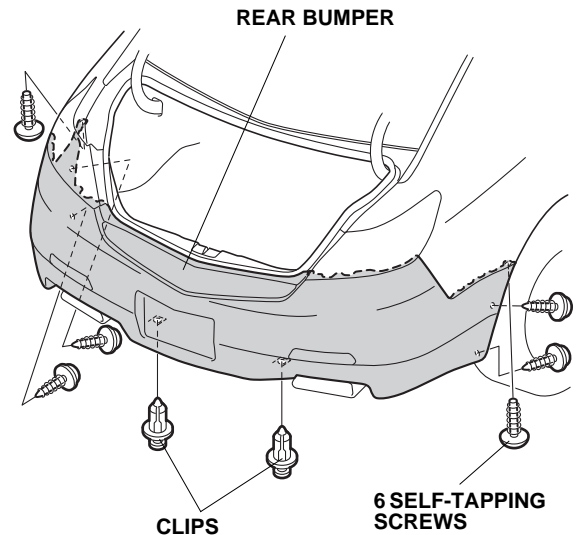
Phillips screwdriver
Ratchet
10 mm Socket
Pushpin
Masking tape
Diagonal cutters
Isopropyl alcohol
Shop towel
Plastic Trim Tool (T/N SILTRIMTL10)
Blanket
Rubber Roller (T/N MHLE54D)
Drill
3 mm and 10 mm Drill bits
Eye protection (face shield, safety goggles, etc.)
Deburring Tool (T/N DEBUR300)
Torque wrench

INSTALLATION

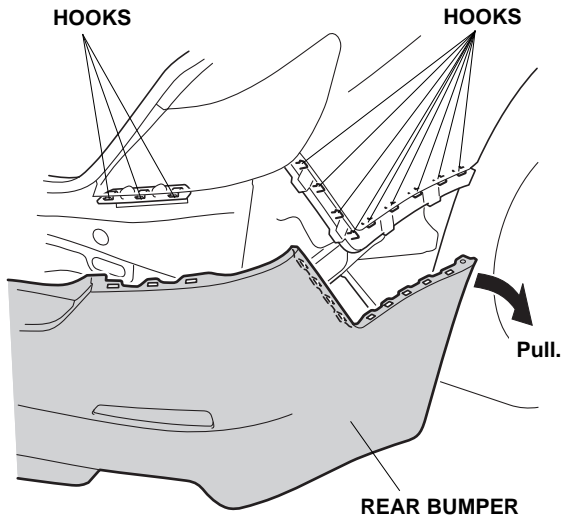
Client Information: The information in this installation instruction is intended for use only by skilled technicians who have the proper tools, equipment, and training to correctly and safely add equipment to your vehicle. These procedures should not be attempted by “do-it-yourselfers.”

NOTE:

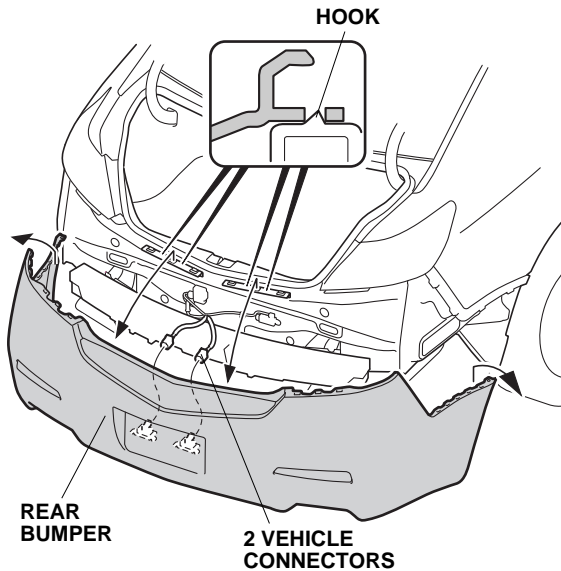
- Be careful not to damage the rear bumper and body paint finish.
 - The rear under spoilers should be installed only when the ambient air temperature is 15°C (60°F) or above.
 - To allow the adhesive to cure, do not wash the vehicle for 24 hours. Please inform your client.
1. Open the trunk lid. Remove the six self-tapping screws and two clips from the rear bumper.



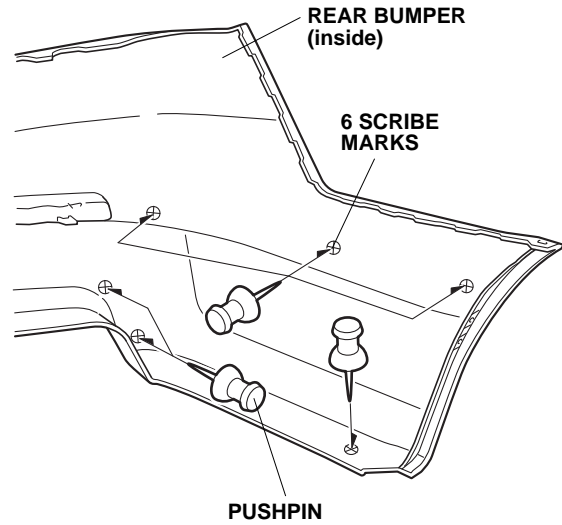
- On each side, release the 12 hooks by gently pulling the rear bumper away from the body.



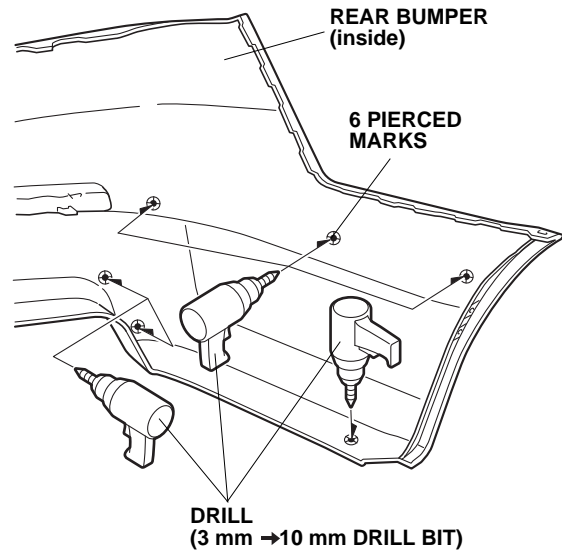
- With the help of an assistant, remove the rear bumper (four hooks, and unplug the two vehicle connectors). Place the rear bumper on a blanket to prevent damage.



- Using a pushpin, pierce the centers of the six scribe marks on the rear bumper.

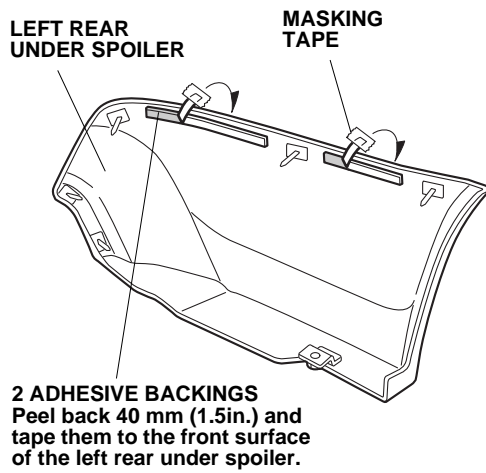


- While wearing eye protection, drill the six pierced marks using a 3 mm drill bit, then finish with a 10 mm drill bit.

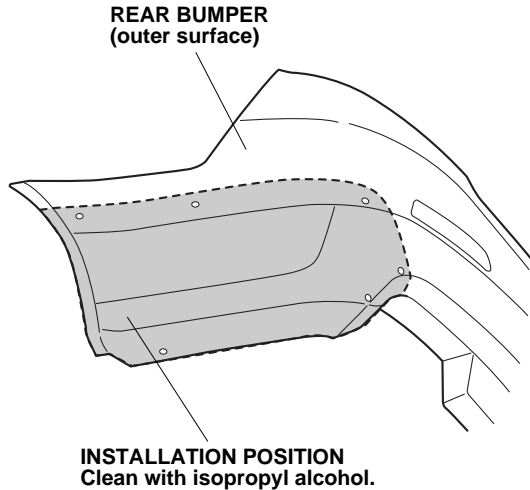


- Using a deburring tool, remove any burrs from the holes.

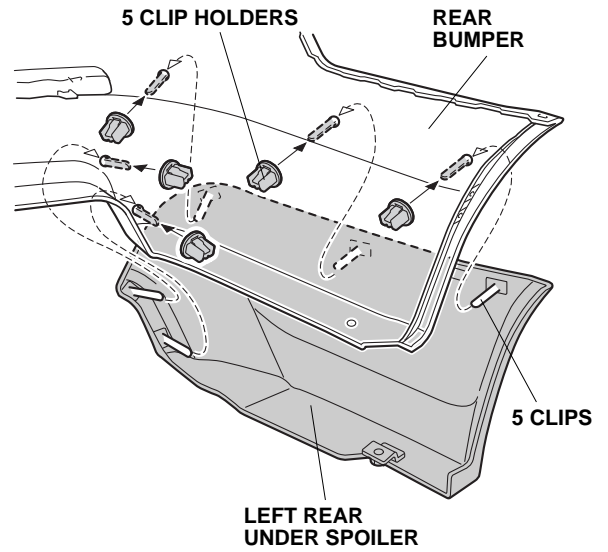
- Peel back approximately 40 mm (1.5 in.) of adhesive backing from each adhesive tape, and tape the ends to the front surface of the left rear under spoiler.



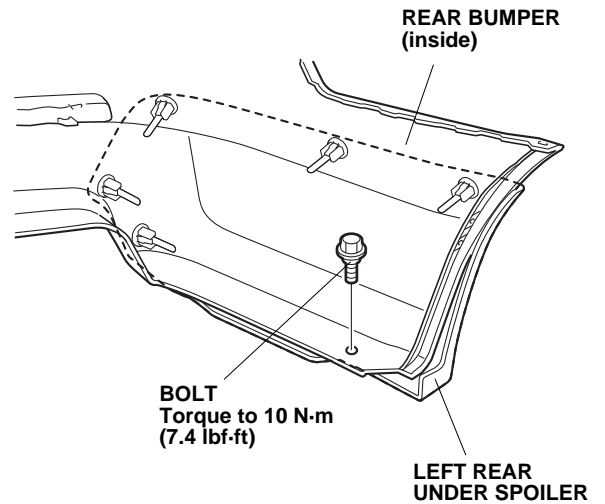
- Using isopropyl alcohol on a shop towel, clean the surface where the left rear under spoiler will attach. Allow the surface to dry before going to the next step.



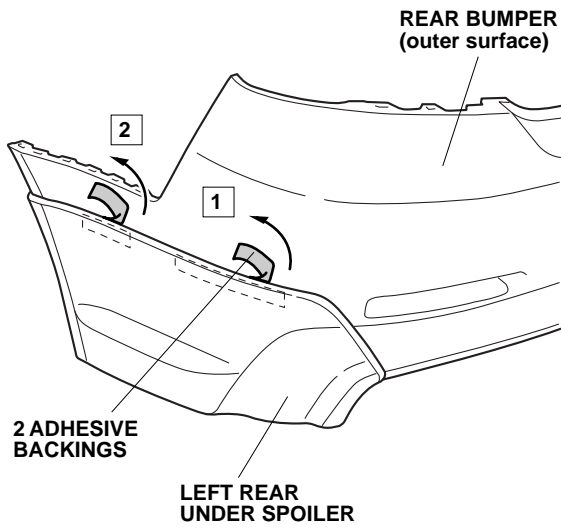
- Install the left rear under spoiler to the rear bumper, and install the five clip holders onto the five clips.



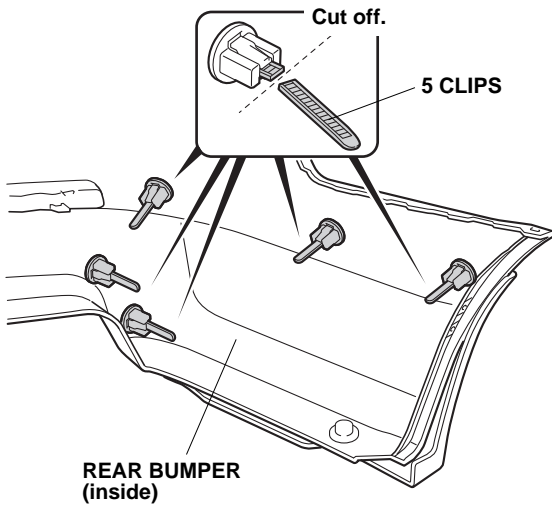
- Secure the left rear under spoiler to the rear bumper with a bolt. Using a torque wrench, torque the bolt to 10 N·m (7.4 lbf·ft).



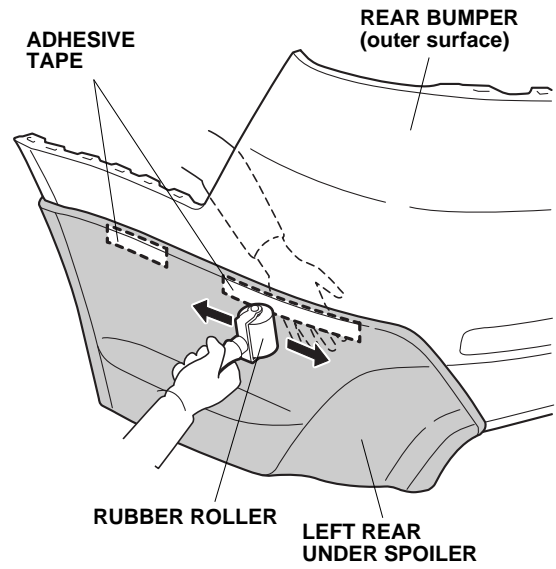
- Remove the two adhesive backings in the order shown.



- Using diagonal cutters, cut the excess off of each clip.



- Using the rubber roller, apply firm pressure while rolling to set the adhesive.



- Repeat steps 4 thru 13 to install the right rear under spoiler.
- With the help of an assistant, reinstall the rear bumper.

