



INSTALLATION INSTRUCTIONS

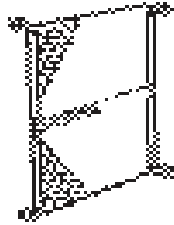
Accessory	Application	Publications No.
CARGONET P/N 08L96-TK4-200A	2014 TL	BII 50157
		Issue Date AUG 2013

Accessory	Application	Publications No.
CARGONET P/N 08L96-TK4-200A	2014 TL	BII 50157
		Issue Date AUG 2013

Accessory	Application	Publications No.
CARGONET P/N 08L96-TK4-200A	2014 TL	BII 50157
		Issue Date AUG 2013

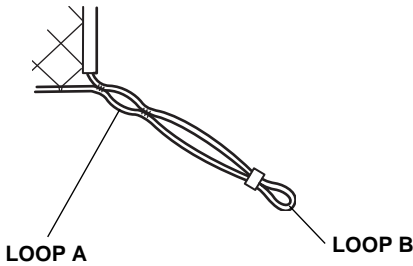
PARTS LIST

Cargo Net

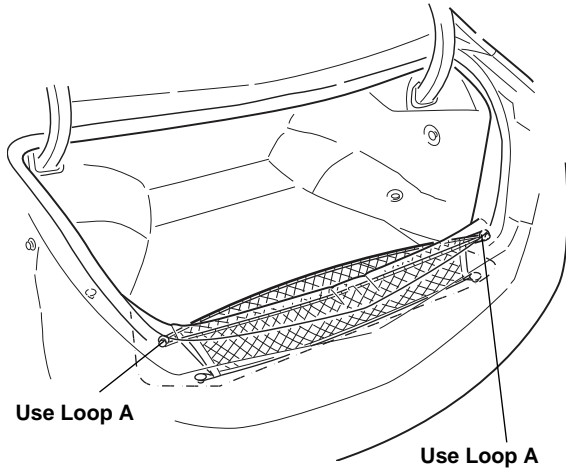


INSTALLATION

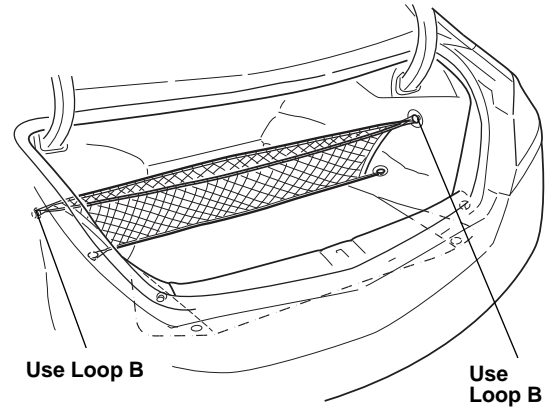
The cargo net can be installed in three positions. Identify the two loops before installing.



Rear Vertical Position:



Forward Vertical Position:



Horizontal Position:

