

# INSTALLATION INSTRUCTIONS

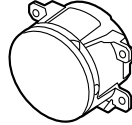
Accessory  
**FOG LIGHTS**  
 P/N 08V31-TX4-200

Application  
**2014 RDX**

Publications No.  
**BII 48860**  
 Issue Date  
**MARCH 2013**

## PARTS LIST

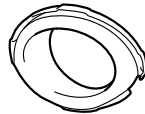
2 Fog lights



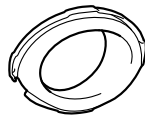
2 Self-tapping screws, 5 x 16 mm



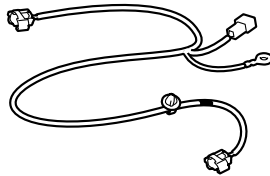
Left cover



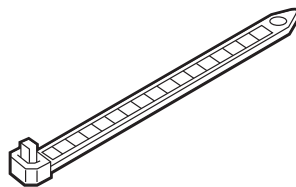
Right cover



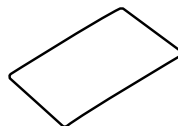
Fog light harness



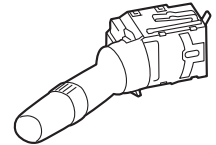
6 Wire ties



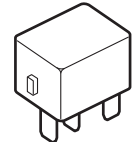
3 Aluminum tapes



Headlight switch



Relay



## TOOLS AND SUPPLIES REQUIRED

Phillips screwdriver

Stubby Phillips screwdriver

Flat-tip screwdriver

Ratchet

10 mm Socket

10 mm Open end wrench

Diagonal cutters

Isopropyl alcohol

Shop towel

Scissors

Tape

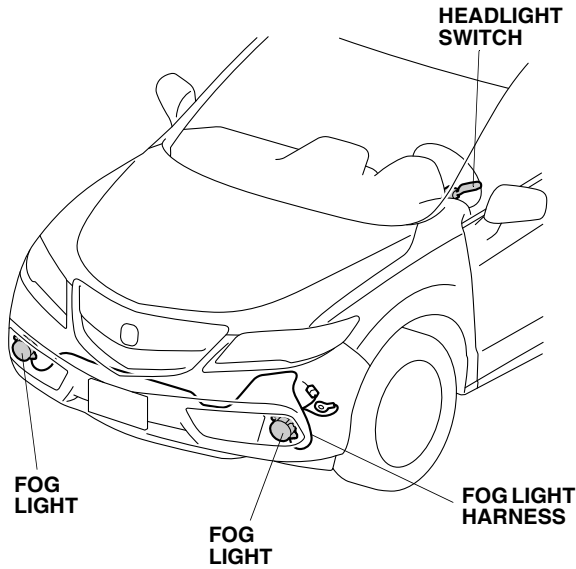
Blanket

5 mm Hex wrench

*The following tool is available through the Honda Tool and Equipment Program. On the iN, click on: Service > Service Bay > Tool and Equipment Program, then enter the number under "Search." Or, call 888-424-6857.*

Trim Tool Set (T/N SOJATP2014)

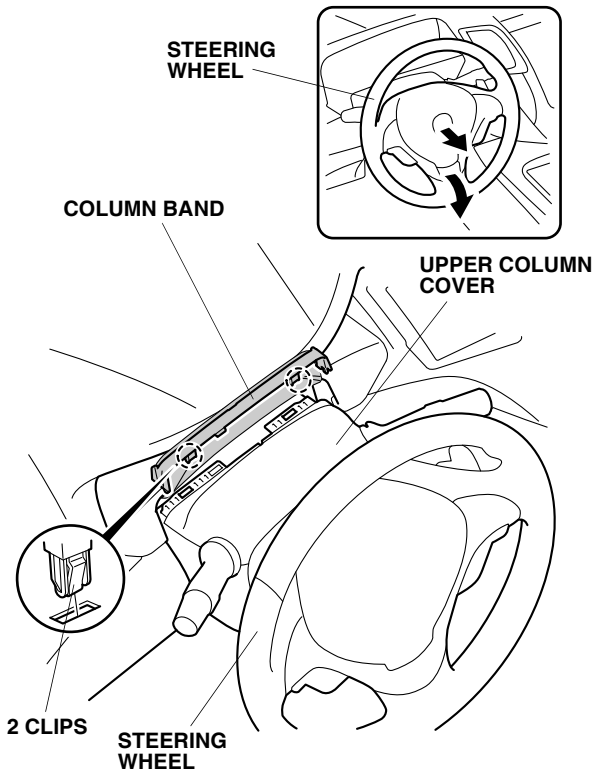
**Illustration of the Fog Lights on the Vehicle**



**INSTALLATION**

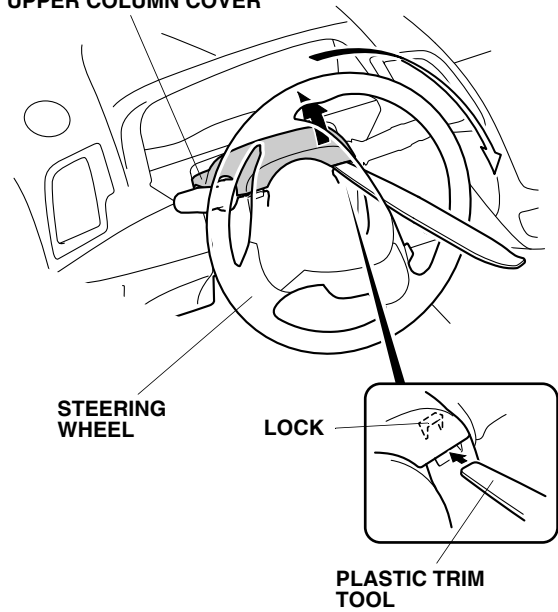
**Client Information:** The information in this installation instruction is intended for use only by skilled technicians who have the proper tools, equipment, and training to correctly and safely add equipment to your vehicle. These procedures should not be attempted by “do-it-yourselfers.”

1. Lower the tilt lever, and release the column band (two clips).



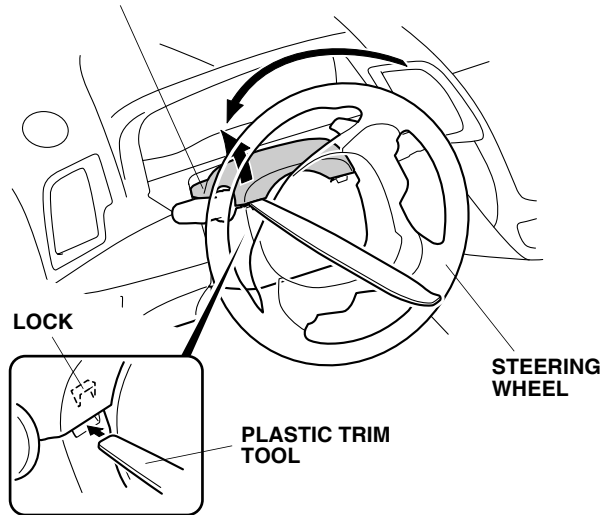
2. Press the ENGINE START/STOP button to change the power mode to “ON.” Turn the steering wheel 90° clockwise. Using a plastic trim tool, release the lock as shown.

**UPPER COLUMN COVER**

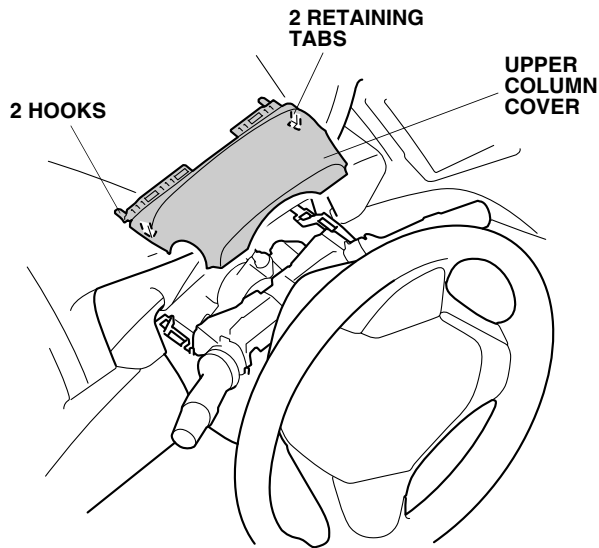


3. Turn the steering wheel 180° counterclockwise. Using a plastic trim tool, release the lock as shown.

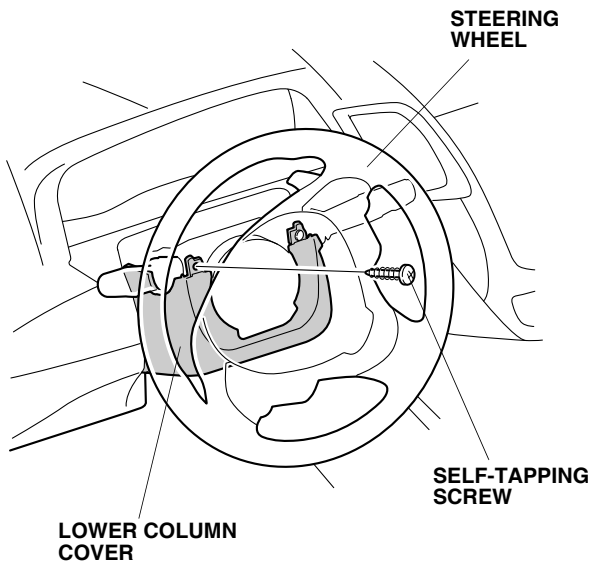
**UPPER COLUMN COVER**



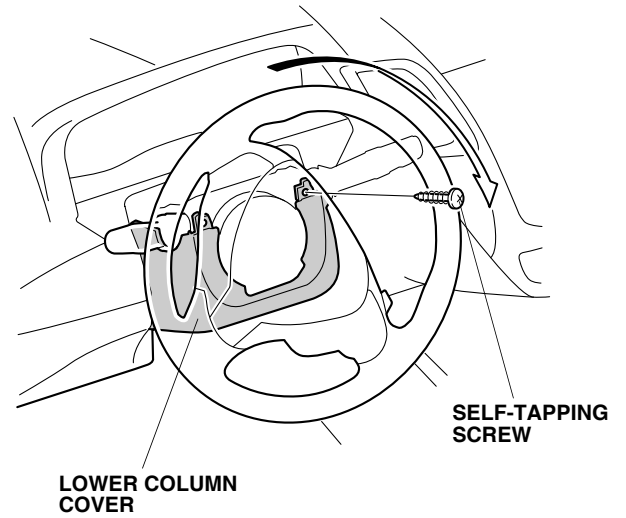
4. Remove the upper column cover (two retaining tabs and two hooks).



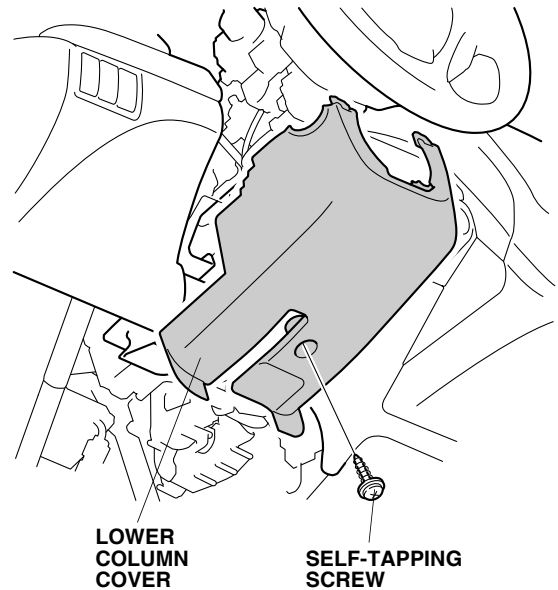
5. Remove one self-tapping screw from the lower column cover.



6. Turn the steering wheel 180° clockwise.

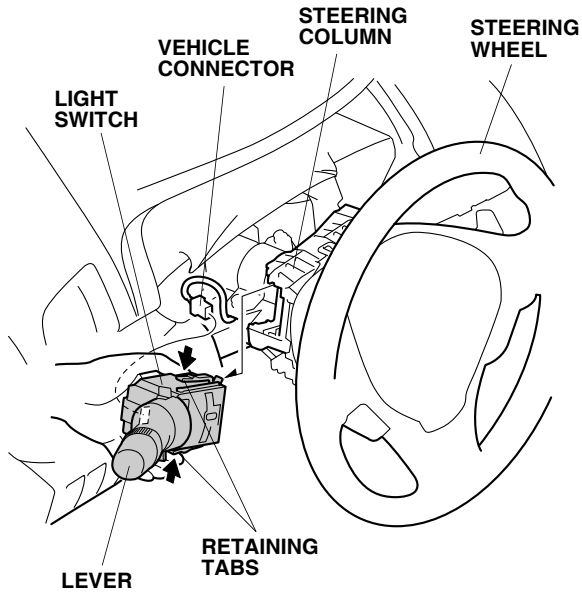


7. Remove one self-tapping screw from the lower column cover.
8. Remove the lower column cover (one self-tapping screw).

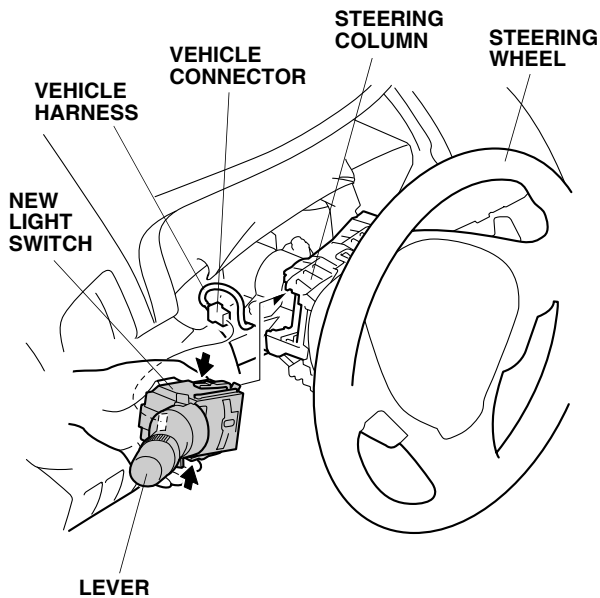


9. Press the ENGINE START/STOP button to change the power mode to "OFF."
10. Disconnect the negative cable from the battery.

11. Unplug the vehicle connector from the light switch.

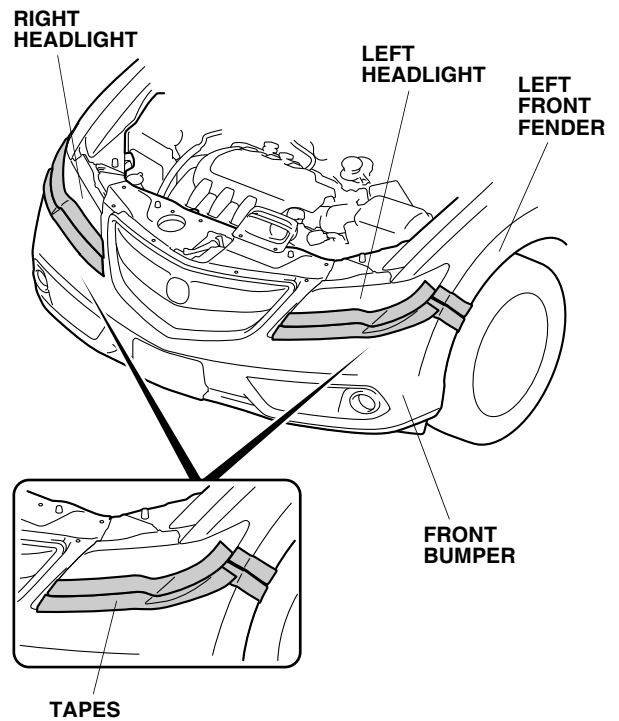


12. Push in the two retaining tabs, and remove the light switch from the steering column.  
NOTE: Do not pull on the lever.
13. Install the new light switch to the steering column.  
Make sure both retaining tabs are fully engaged.  
NOTE: Do not push on the lever.



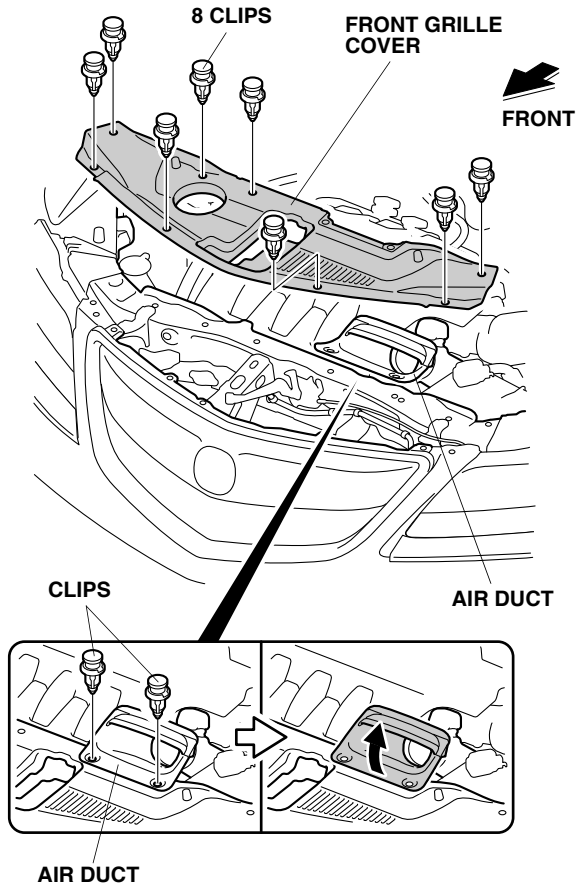
14. Plug the vehicle connector to the new light switch.  
Make sure the vehicle harness is not stretched.

15. Attach masking tape to the front bumper, left headlight and left front fender as shown.



16. Repeat step 15 to attach masking tape to the right side of the vehicle.

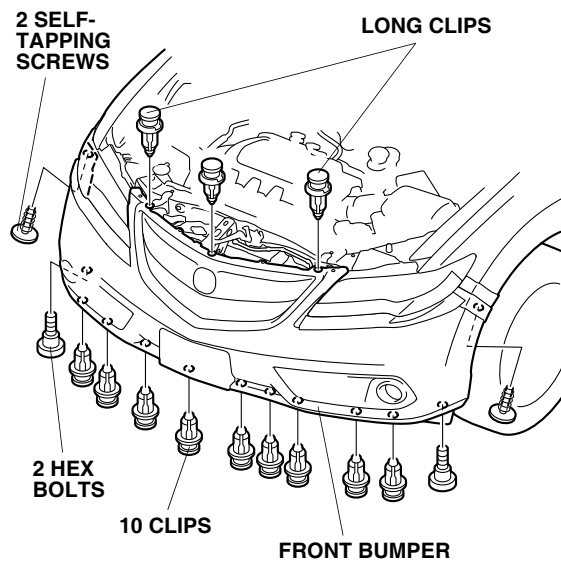
17. Release the air duct (two clips).



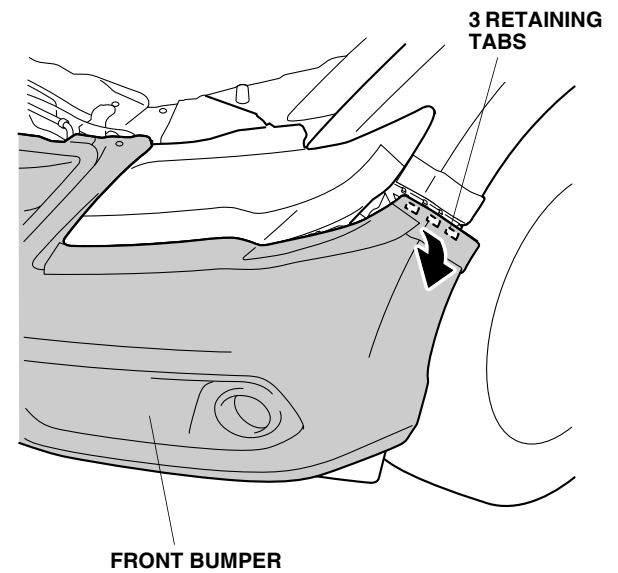
18. Remove the front grille cover (eight clips).

19. Remove the front bumper.

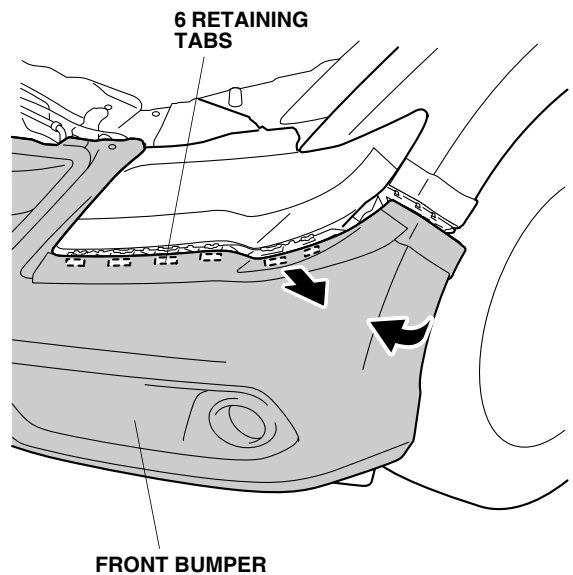
- Remove the two self-tapping screws, two hex bolts, ten clips, and two long clips.



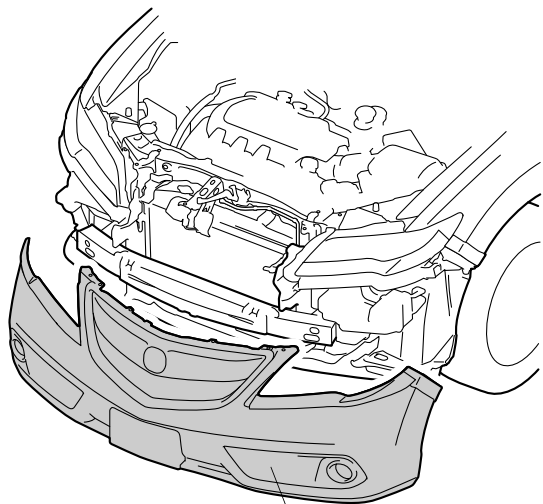
- Release the three retaining tabs on each side of the bumper.



- Release the six retaining tabs on each side of the bumper.

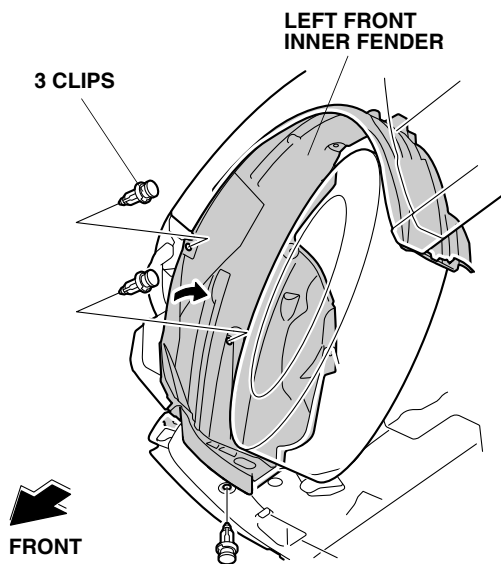


- With the help of an assistant, remove the front bumper.
- Place the front bumper on a blanket.



**FRONT BUMPER**

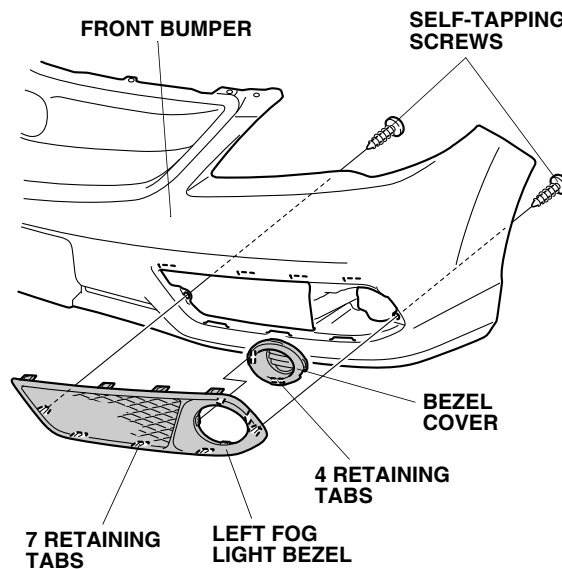
20. Remove the three clips from the left front inner fender, and release the left front inner fender.  
NOTE: Do not fully remove the left front inner fender.



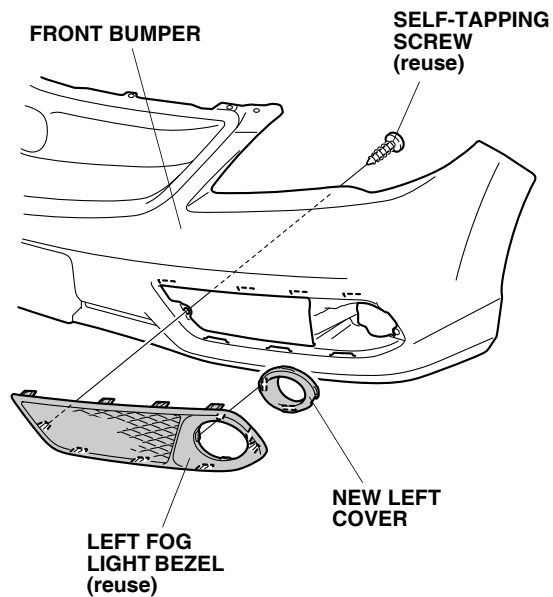
**FRONT**

21. Repeat step 20 to release the right front inner fender.

22. Remove the left fog light bezel from the front bumper (two self-tapping screws and seven retaining tabs).

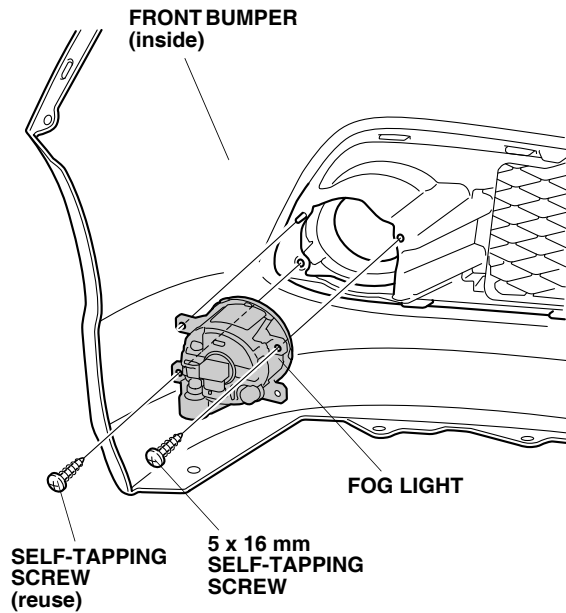


23. Remove the bezel cover from the left fog light bezel (four retaining tabs).  
24. Reinstall the left fog light bezel to the front bumper with one of the self-tapping screws removed in step 22.



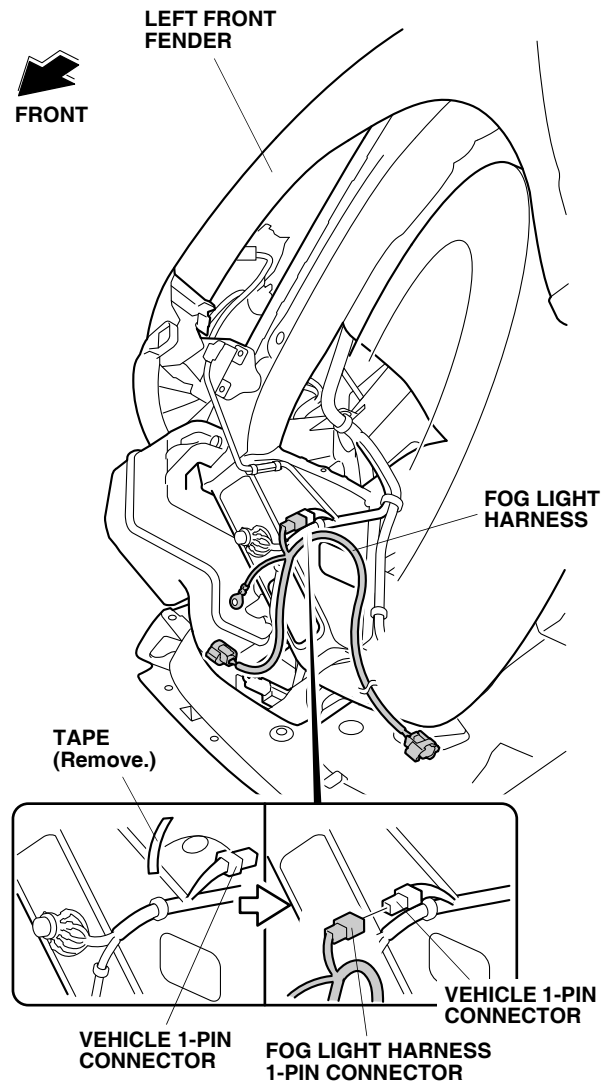
25. Install the new left cover to the left fog light bezel.

26. Install the fog light to the front bumper with a 5 x 16 mm self-tapping screw and one self-tapping screw removed in step 22.



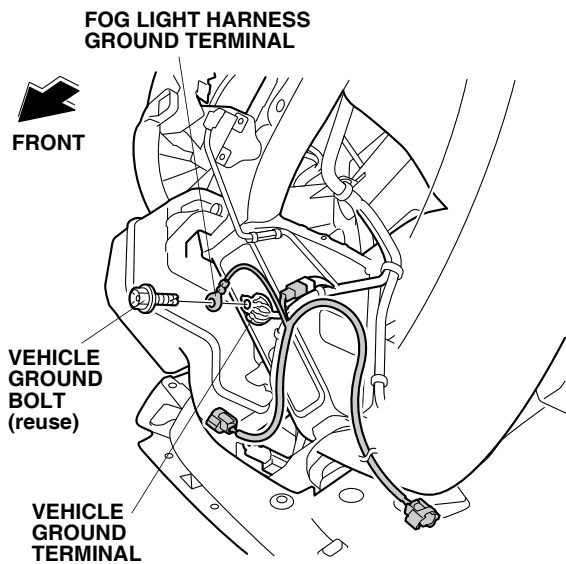
27. Repeat steps 22 through 26 to install the right fog light assembly to the right side of the front bumper.

28. Locate the vehicle 1-pin connector taped to the vehicle harness. Remove the tape to free the vehicle 1-pin connector.

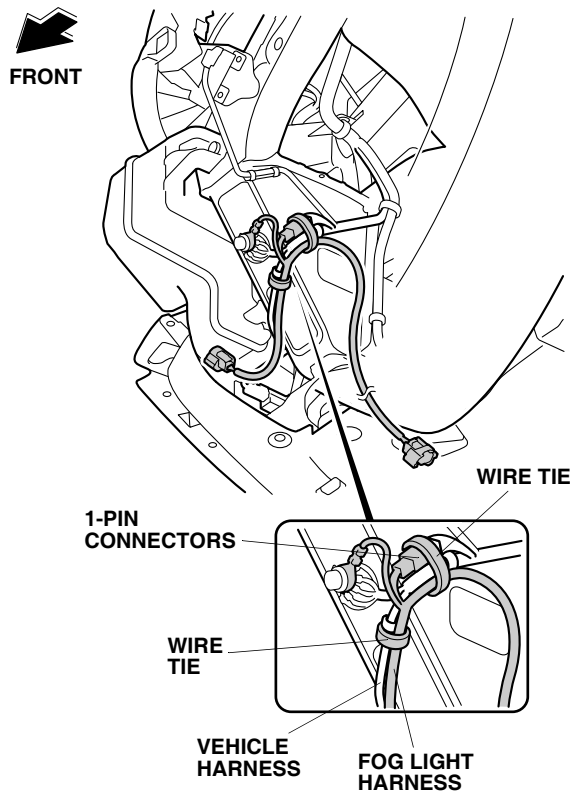


29. Plug the fog light harness 1-pin connector to the vehicle 1-pin connector.

30. Remove the vehicle ground bolt, and secure the fog light harness ground terminal to the vehicle ground terminal.

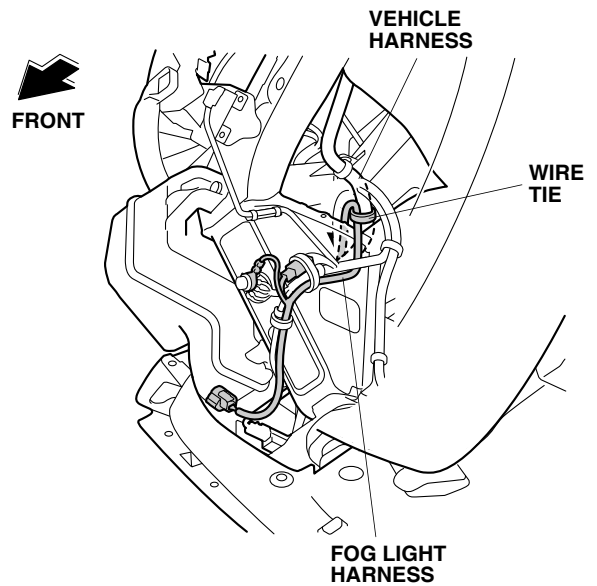


31. Secure the fog light harness to the vehicle harness with a wire tie as shown.

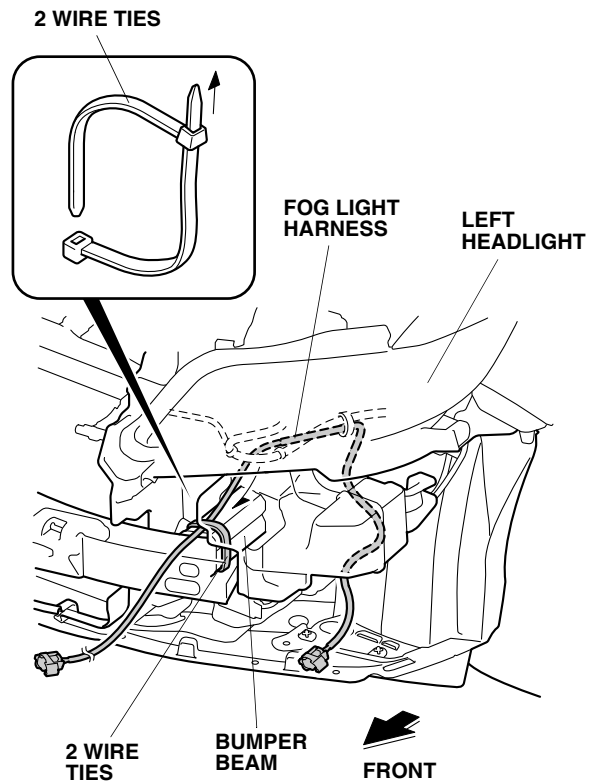


32. Secure the 1-pin connectors and fog light harness to the vehicle harness with a wire tie.

33. Route the fog light harness, and secure it to the vehicle harness with a wire tie.

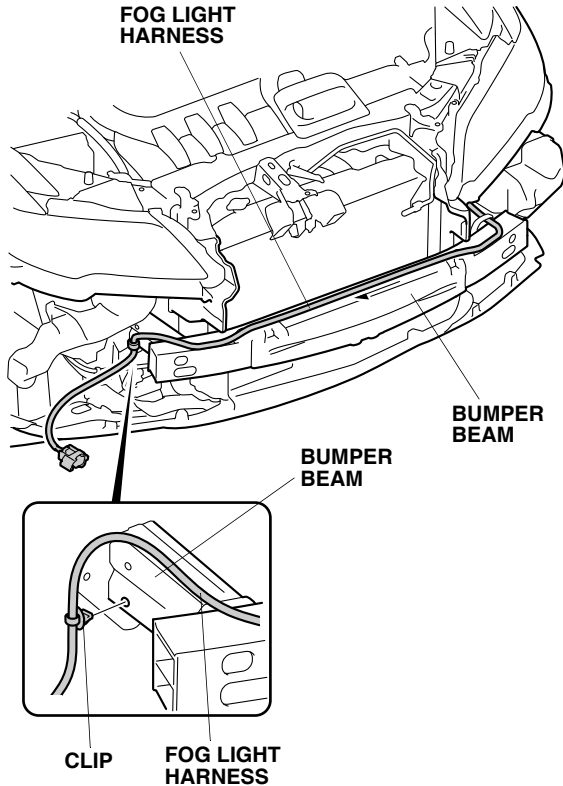


34. Route the fog light harness under the left headlight, and secure it to the bumper beam with two wire ties as shown.

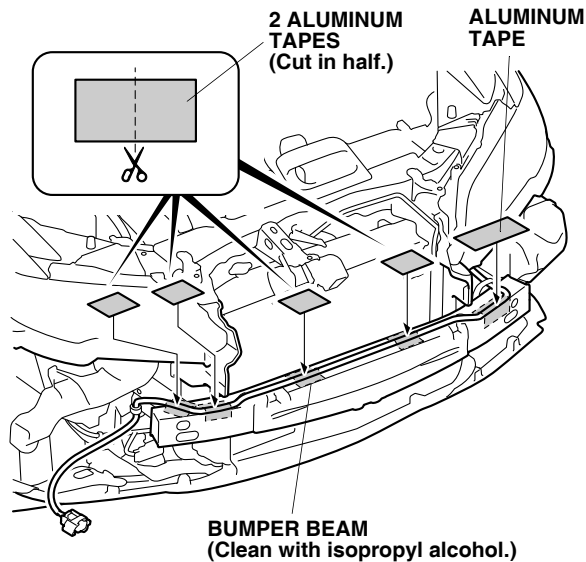




35. Route the fog light harness along the bumper beam. Secure the clip on the fog light harness to the bumper beam as shown.

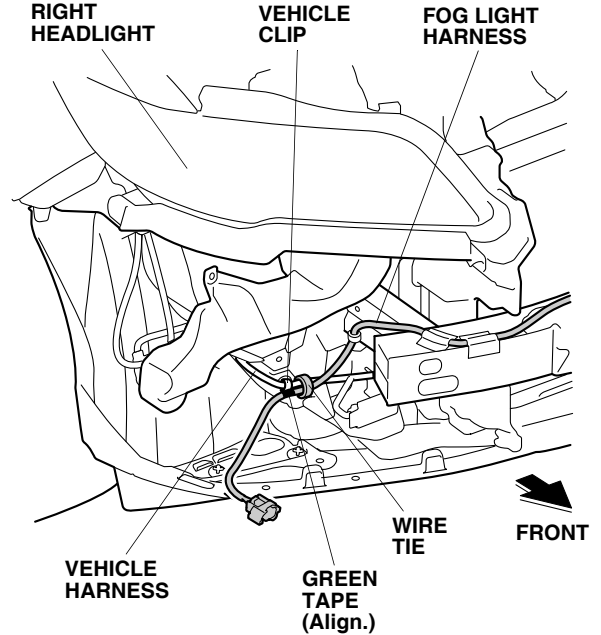


36. Using isopropyl alcohol on a shop towel, thoroughly clean the areas where the aluminum tapes will attach. Secure the fog light harness to the bumper beam with a aluminum tape.

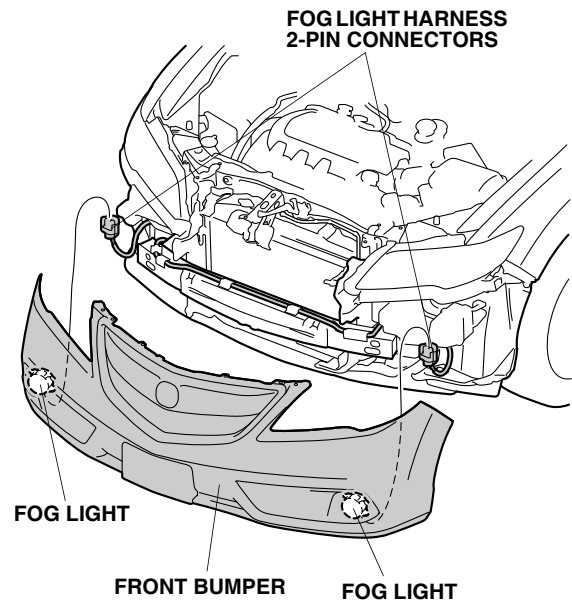


37. Using a scissors, cut two aluminum tapes in half. Secure the fog light harness to the bumper beam with four halves of aluminum tape.

38. Align the green tape on the fog light harness with the vehicle clip, and secure the fog light harness to the vehicle harness with a wire tie.

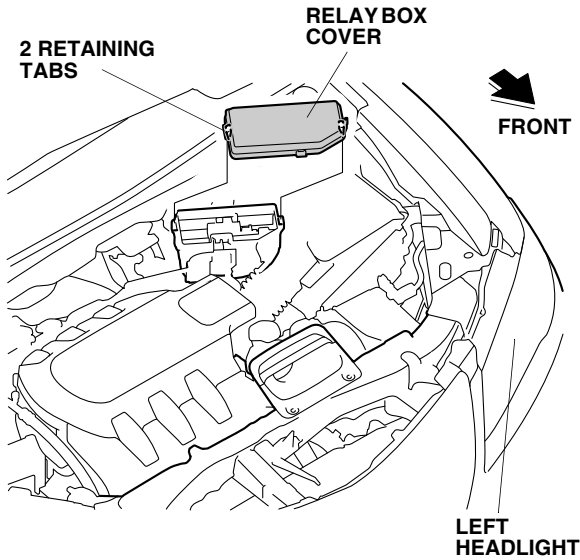


39. With the help of an assistant, bring the front bumper close to the vehicle, and plug the two fog light harness 2-pin connectors to the two fog lights.

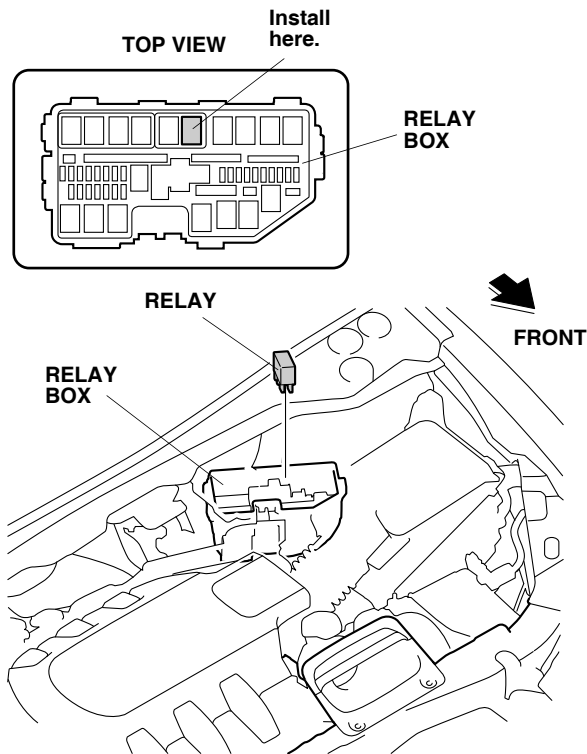


40. Reinstall the front bumper. Do not install the two hex head bolts that fasten the inner fenders to the front bumper at this time.

41. Remove the relay box cover (two retaining tabs).



42. Install the relay into the relay box.

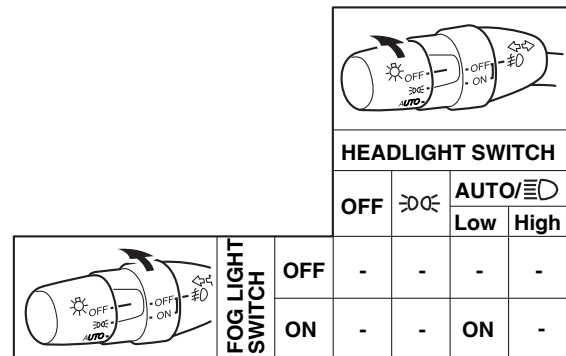


43. Check that all wire harnesses are routed properly and all connectors are plugged in.
44. Reinstall all removed parts. Do not reinstall the clips and bolts that fasten the inner fenders until you have aimed the fog lights.
45. Reconnect the negative cable to the battery.
46. Press and hold the radio power button for two seconds to restore the radio and navi (if equipped) system functions.
47. Reset the clock (vehicle without navigation).

## USE AND CARE

### How to Operate the Fog Lights

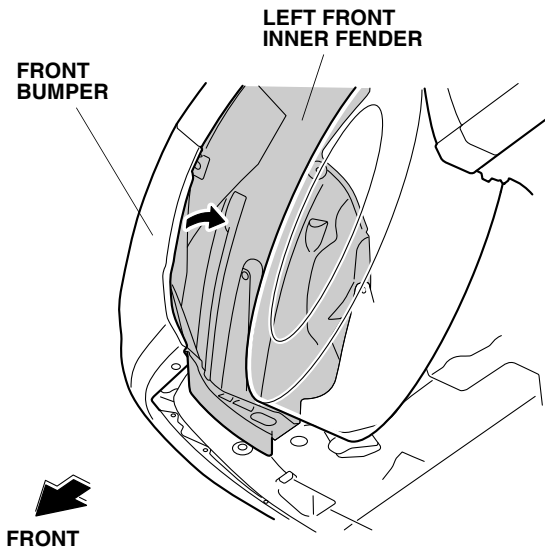
- Turn the headlight switch to the AUTO or “ $\equiv$  D” position (headlights on low beam).
- Turn on the fog light switch (indicator is on).
- If the fog lights do not turn on, check the fuse and all the connectors, including the ground cable.



NOTE: The fog light lenses may cloud when the outside temperature is cold; this is normal and should go away in warm weather.

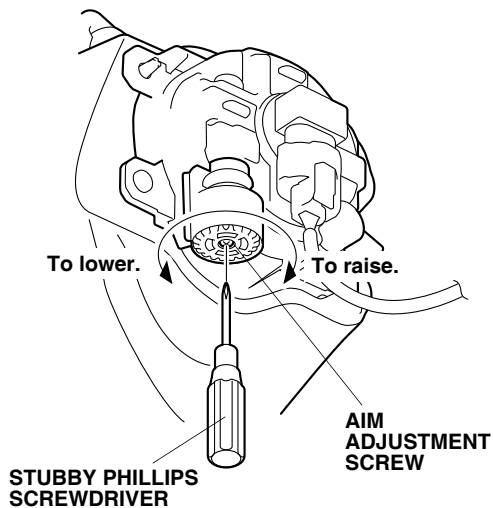
## How to Aim the Fog Lights

48. Release the inner fender.



49. Adjust the fog light:

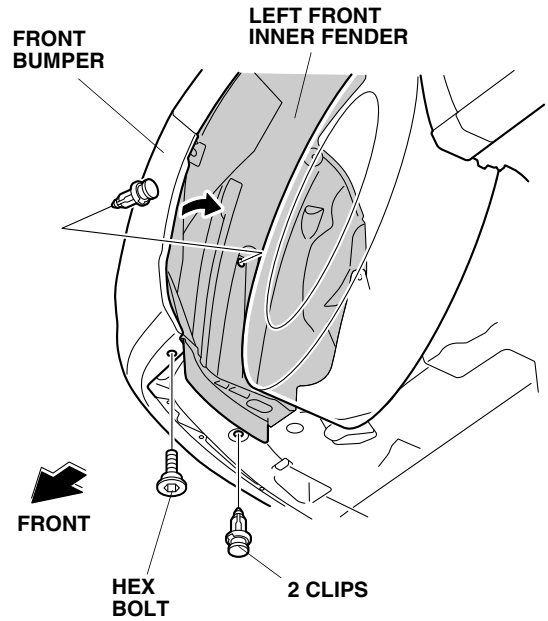
- To adjust, turn the aim adjustment screw in or out until the correct aim is obtained.
- Adjust the aim according to local laws and regulations.



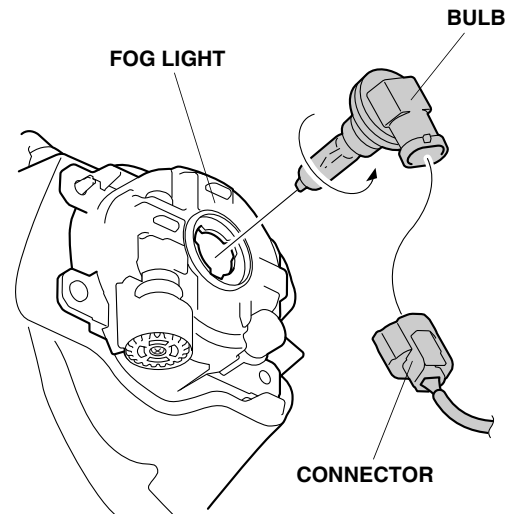
50. Install the clips and bolts to secure the inner fenders.

## BULB REPLACEMENT

1. Release the inner fender (one hex bolt and two clips).



2. Insert your hand behind the inner fender. Unplug the connector from the fog light.

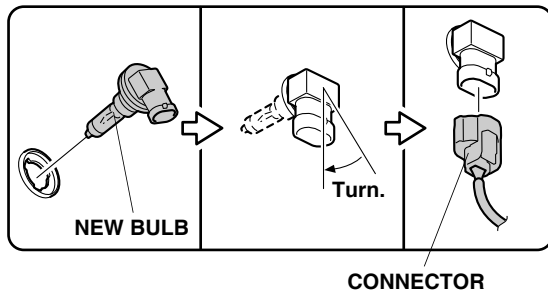
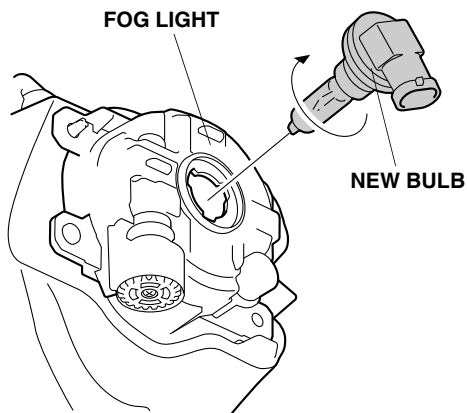


3. Remove the bulb.

4. Install the new bulb to the fog light.
  - Use only a Genuine Honda halogen light bulb of specified wattage.

Rating: 12V 55W H11 Halogen Light Bulb  
P/N 33165-STK-A01

- Do not touch the bulb. Oily or greasy substances on the bulb can shorten its service life due to the heat produced when the bulb is turned on. If the bulb is accidentally touched, wipe it clean with a soft cloth that has been dampened with denatured alcohol or a mild detergent solution.
- When installing the new bulb, align the cutout on the fog light with the tab on the new bulb and turn the new bulb clockwise until it locks. If the bulb is not installed properly, the fog light may annoy oncoming drivers.



5. Reinstall the removed parts. Check that the wire harnesses are not pinched. Be sure to tighten the clips and bolt securely.
6. Check the operation of the fog light; adjust the aim if necessary.