



# INSTALLATION INSTRUCTIONS

Accessory  
**CARGO TRAY**

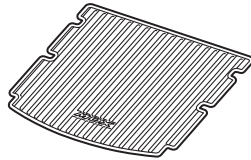
Application  
**2014 MDX**

Publications No.  
**BII 48821**  
Issue Date  
**MAY 2013**

## PARTS LIST

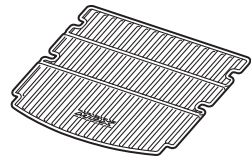
**Cargo Tray Kit**  
**P/N 08U45-TZ5-200A**

Cargo tray (standard)



**Cargo Tray Kit**  
**P/N 08U45-TZ5-200B**

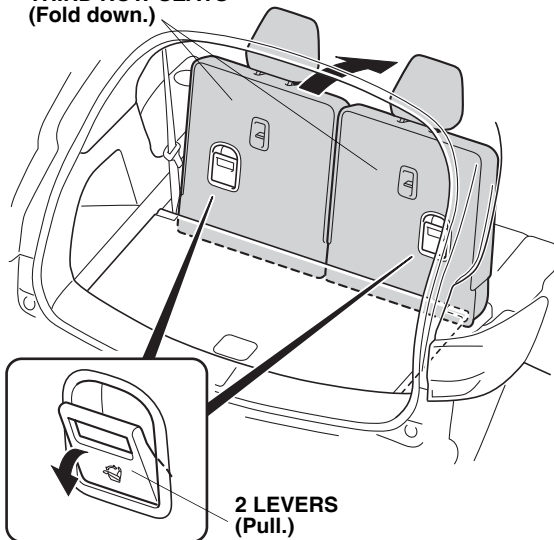
Cargo tray (folding)



## INSTALLATION

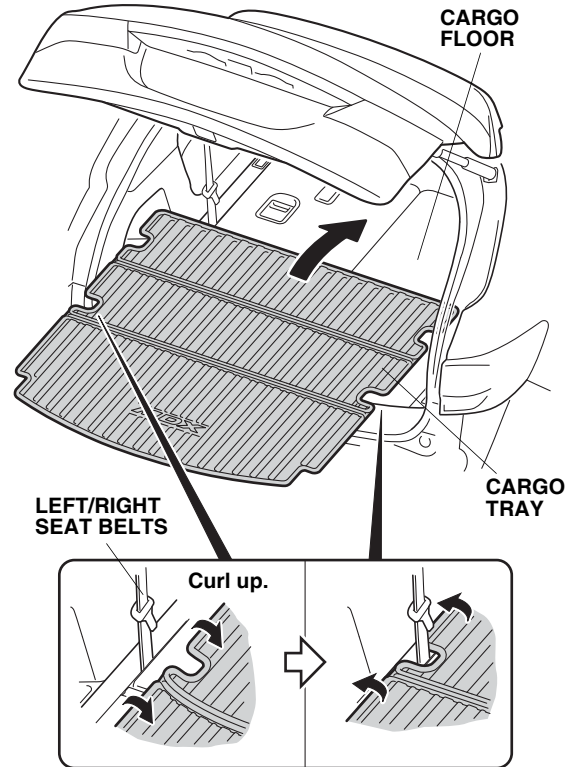
1. Pull each lever, and fold down the left and right third row seats.

**LEFT/RIGHT  
THIRD ROW SEATS**  
(Fold down.)



QB01910AH

2. Place the cargo tray on the cargo floor.

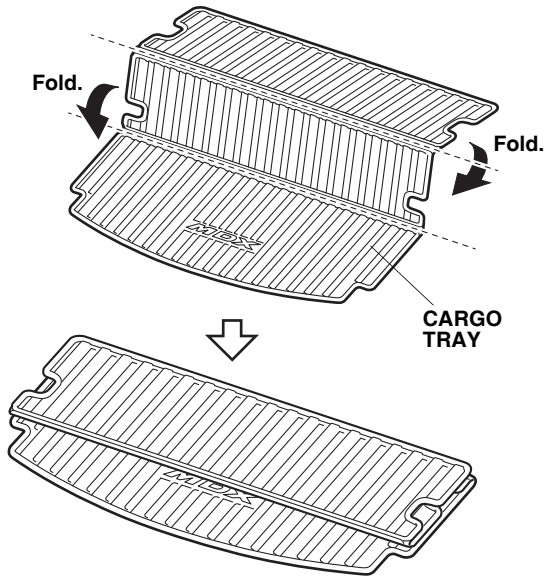


QB02970BH

The cargo tray (folding) can be installed in the folded position.

**Folded Position:**

- Fold the cargo tray as shown.



QBN1450BH

- Place the cargo tray on the cargo floor.

