



INSTALLATION INSTRUCTIONS

Accessory

CARGO COVER
P/N 08U35-TZ5-200

Application

2014 MDX

Publications No.

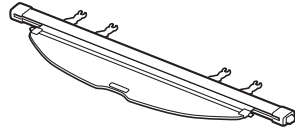
BII 48817

Issue Date

MAY 2013

PARTS LIST

Cargo cover



Left catch



Right catch



2 Anchors



2 Bolts



TOOLS AND SUPPLIES REQUIRED

Drill

8 mm and 14 mm Drill bits

Tape

File

Ruler

Eye protection (face shield, safety goggles, etc.)

The following tool is available through the Honda Tool and Equipment Program. On the iN, click on: Service > Service Bay > Tool and Equipment Program, then enter the number under "Search". Or, call 888-424-6857.

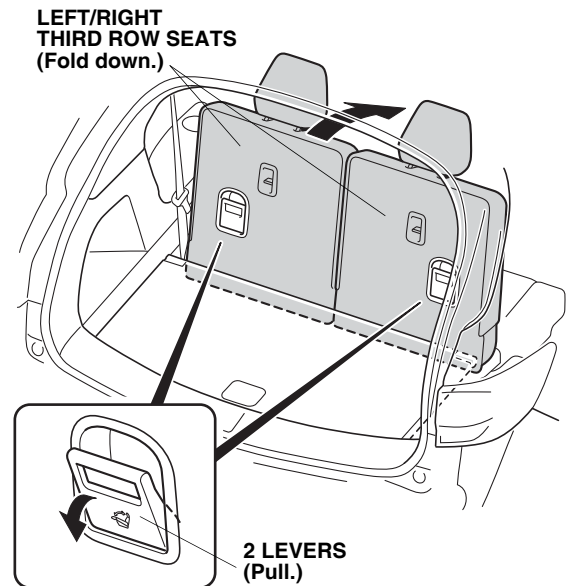
- Plastic Trim Tool (T/N SILTRIMTL10)

INSTALLATION

Client Information: The information in this installation instruction is intended for use only by skilled technicians who have the proper tools, equipment, and training to correctly and safely add equipment to your vehicle. These procedures should not be attempted by "do-it-yourselfers."

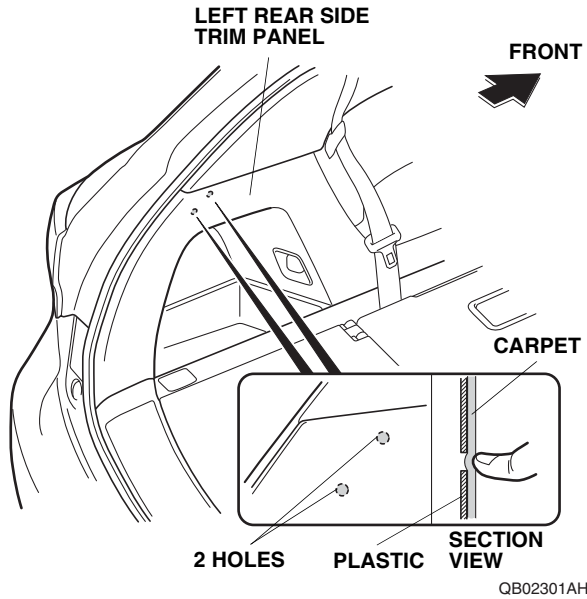
NOTE: Be careful not to damage the body.

1. Pull each lever, and fold down the left and right third row seats.

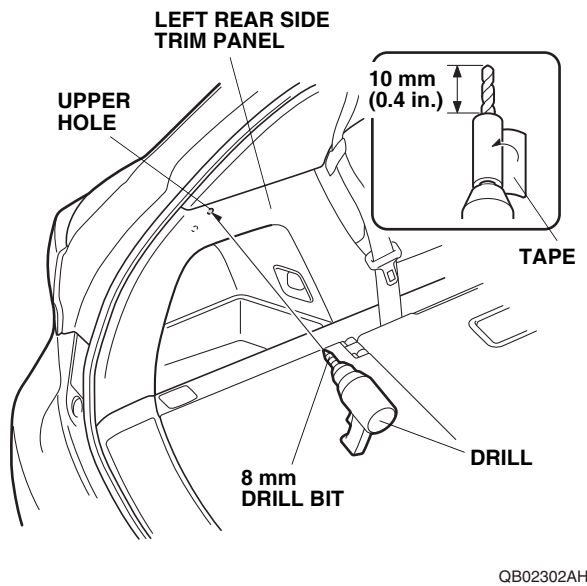


QB01910AH

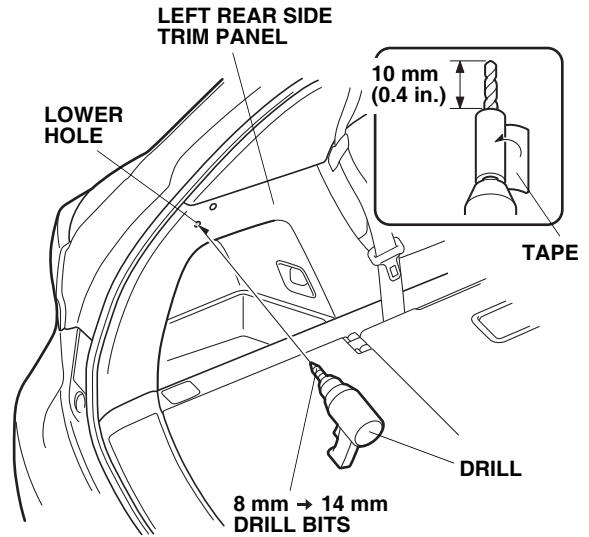
- At the rear of the left rear side trim panel, use your finger to locate the two pre-drilled holes in the panel under the carpet.



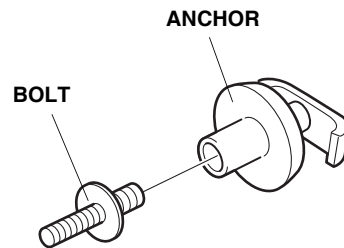
- While wearing eye protection, drill an 8 mm upper hole in the left rear side trim panel:
 - Wrap tape around an 8 mm drill bit, 10 mm (0.4 in.) away from the tip, or use a drill stop.
 - Remove any burrs.



- While wearing eye protection, drill a 14 mm lower hole in the left rear side trim panel:
 - Wrap tape around an 8 mm and a 14 mm drill bits, 10 mm (0.4 in.) away from the tip, or use a drill stop.
 - First drill with an 8 mm drill bit, and finish with a 14 mm drill bit.
 - Remove any burrs.

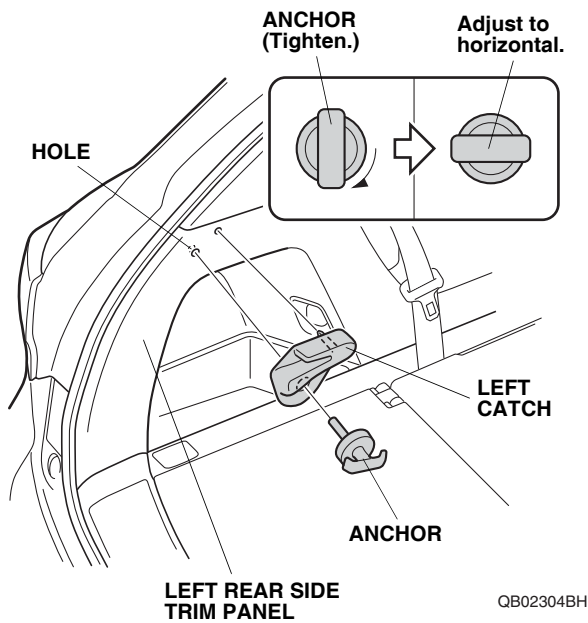


- Thread one bolt into one anchor.



QB02103AH

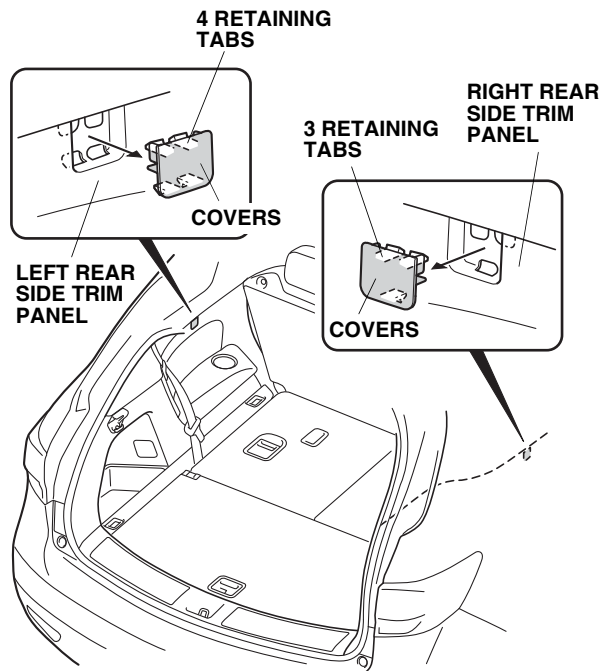
- Install the left catch to the left rear side trim panel with anchor. Adjust the anchor to the horizontal position.



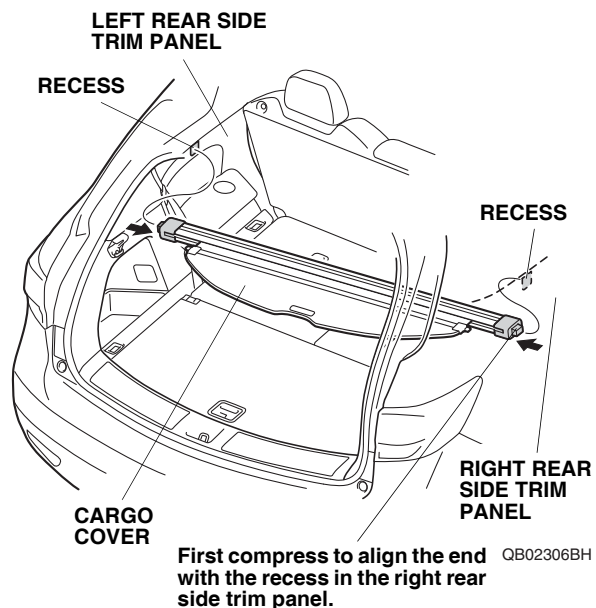
- Repeat steps 2 through 6 to install an anchor on the right side of the vehicle.

Installing the Cargo Cover

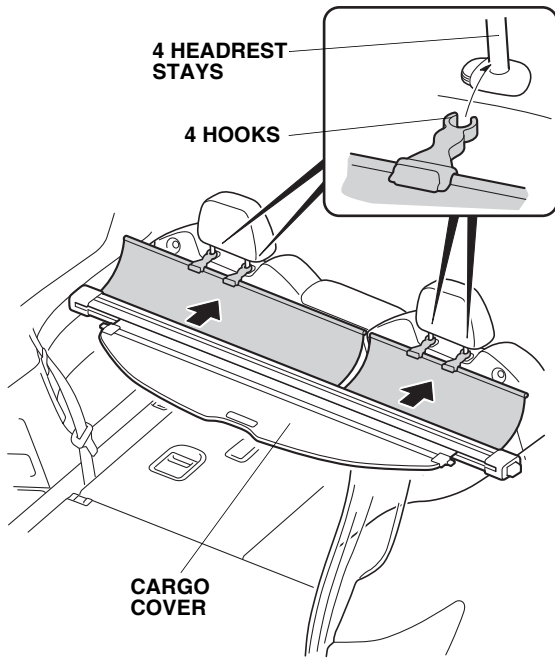
- Using a plastic trim tool, remove the cover from the left and right rear side trim panels by releasing the retaining tabs. Save the covers so they can be reinstalled when the cargo cover is removed.



- Install the cargo cover into the recess in the right rear side trim panel, then compress the cargo cover, and install it in the left rear side trim panel.

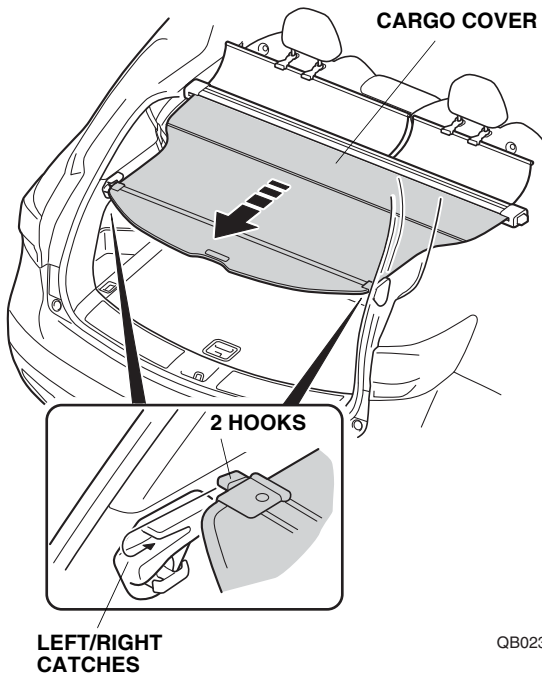


10. Attach each hook of the cargo cover to the headrest stay.



QB02307AH

11. Attach each hook of the cargo cover to the left and right catches.



QB02308BH

CLEANING THE CARGO COVER

Use a sponge or cloth and a solution of mild liquid dishwashing soap and water, then wipe dry with a clean cloth or sponge.