



# INSTALLATION INSTRUCTIONS

Accessory  
**REAR SPLASH GUARDS**

Application  
**2013 ZDX**

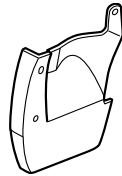
Publications No.  
**BII 13521**  
Issue Date  
**OCT 2012**

## PARTS LIST

Left rear splash guard



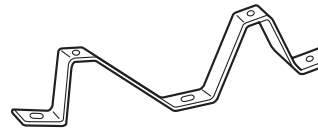
Right rear splash guard



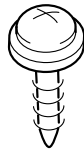
Left bracket



Right bracket



4 Self-tapping screws, 5 x 20 mm



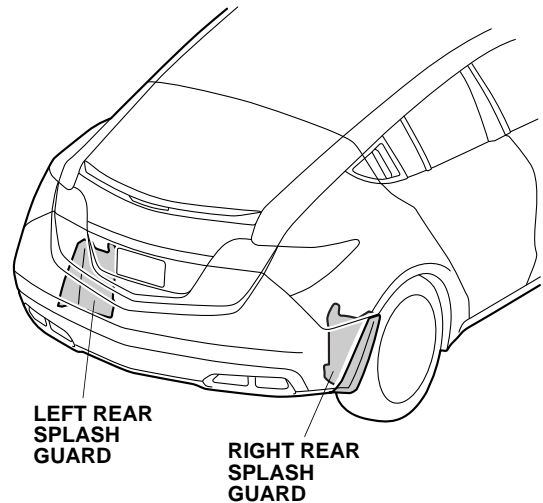
2 Clips



## TOOLS AND SUPPLIES REQUIRED

Phillips screwdriver  
Stubby phillips screwdriver  
Ratchet  
10 mm Socket  
Plastic Trim Tool  
T/N SILTRIMTL10

### *Illustration of the Rear Splash Guards on the Vehicle*

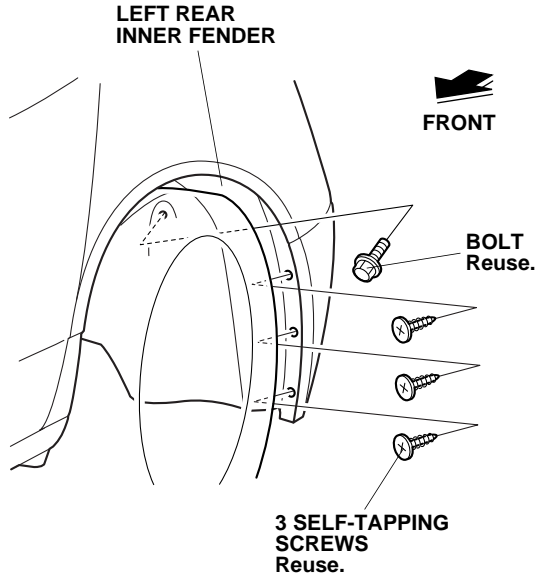


## INSTALLATION

**Client Information:** The information in this installation instruction is intended for use only by skilled technicians who have the proper tools, equipment, and training to correctly and safely add equipment to your vehicle. These procedures should not be attempted by "do-it-yourselfers."

NOTE: Do not damage the paint finish.

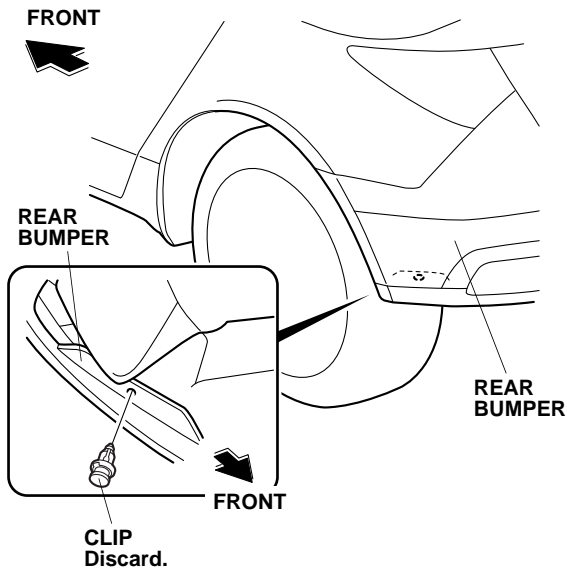
1. Remove three self-tapping screws and one bolt.



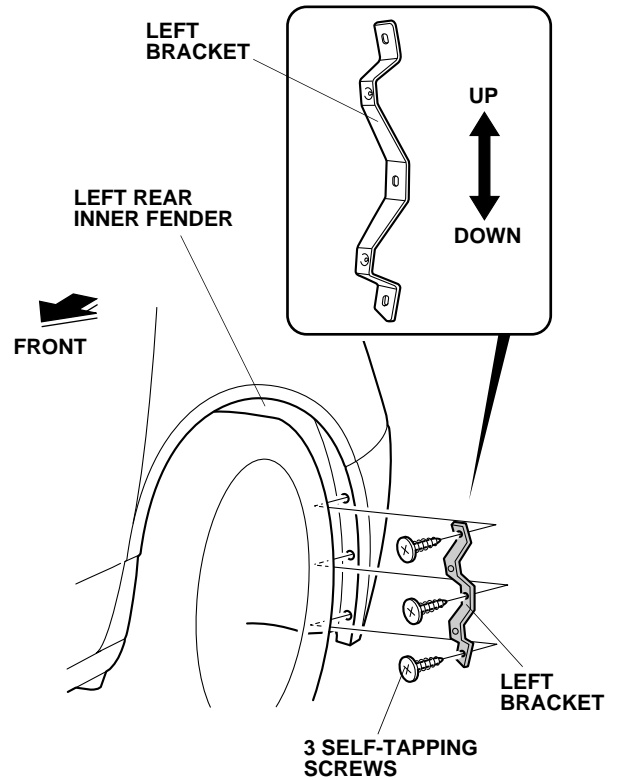
If the vehicle is equipped with BSI, go to step 2. If not, go to step 3.

**With BSI**

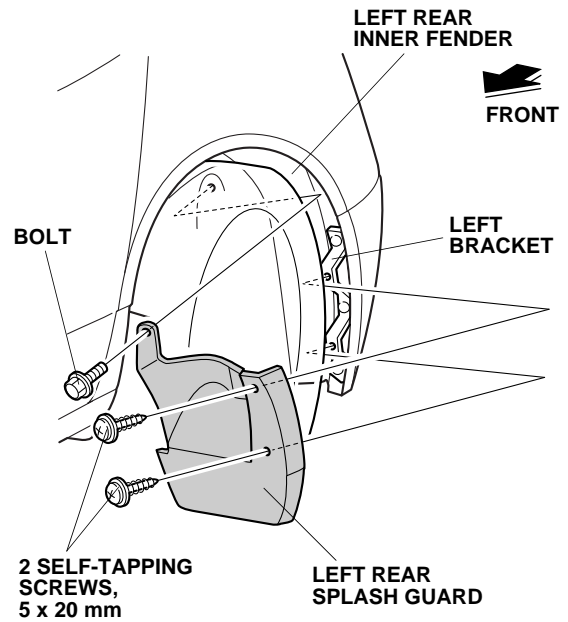
2. Remove one clip from the rear bumper.



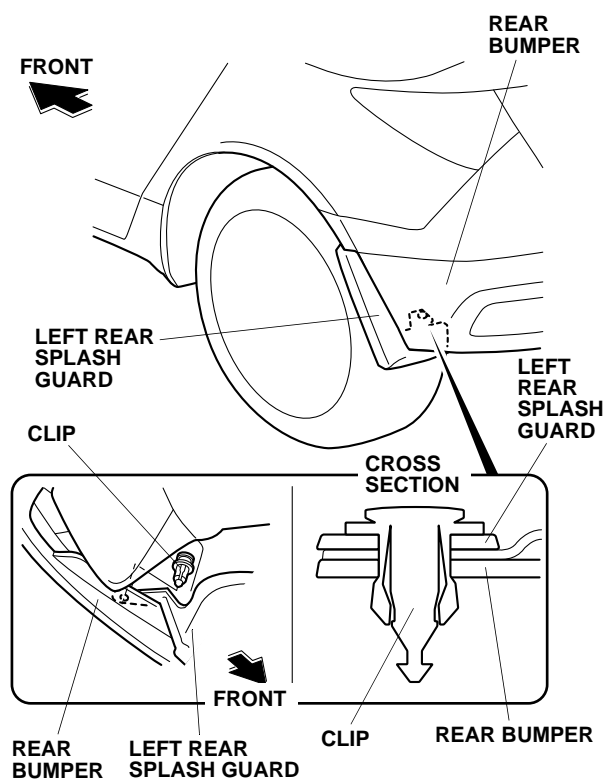
3. Install the left bracket to the left rear inner fender with three self-tapping screws removed in step 1.



4. Install the left rear splash guard to the left rear inner fender and left bracket with two 5 x 20 mm self-tapping screws and the bolt removed in step 1.



5. Secure the left rear splash guard to the rear bumper with one clip.



6. Repeat steps 1 through 5 to install the splash guard on the right side of the vehicle.