



# INSTALLATION INSTRUCTIONS

Accessory  
**REAR BUMPER APPLIQUE**  
P/N 08P48-SZN-200

Application  
**2013 ZDX**

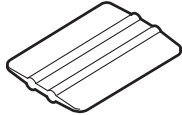
Publications No.  
**BII 13520**  
Issue Date  
**OCT 2012**

## PARTS LIST

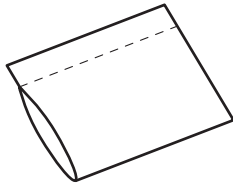
Rear bumper applique



Applicator



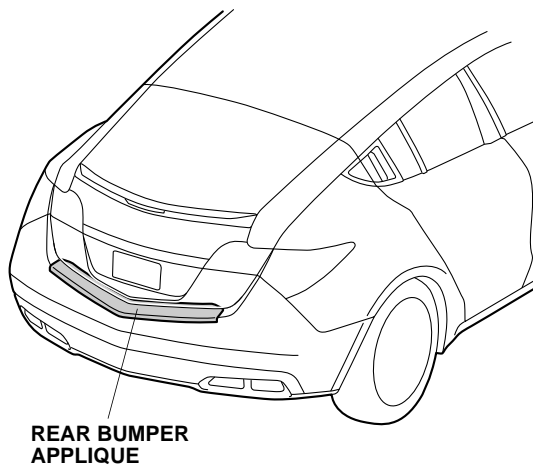
Soft sleeve



## TOOLS AND SUPPLIES REQUIRED

Shop towel  
Isopropyl alcohol  
Spray bottle  
Protective tape application solution  
P/N 08712-0008

### *Illustration of the Rear Bumper Applique on the Vehicle*



## INSTALLATION

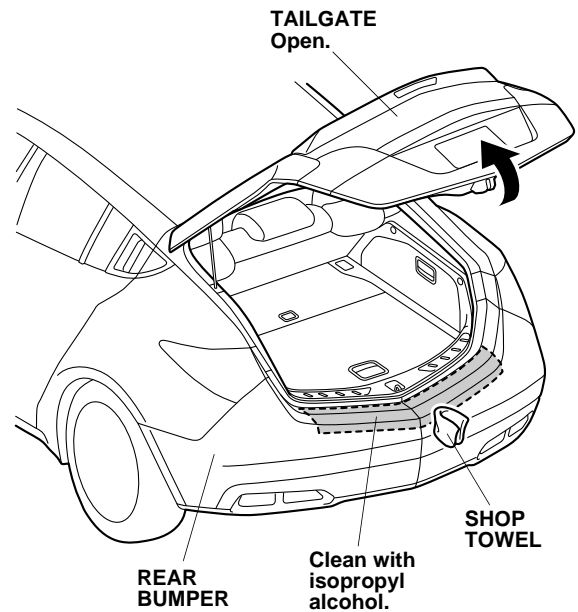
**Client Information:** The information in this installation instruction is intended for use only by skilled technicians who have the proper tools, equipment, and training to correctly and safely add equipment to your vehicle. These procedures should not be attempted by “do-it-yourselfers.”

### NOTE:

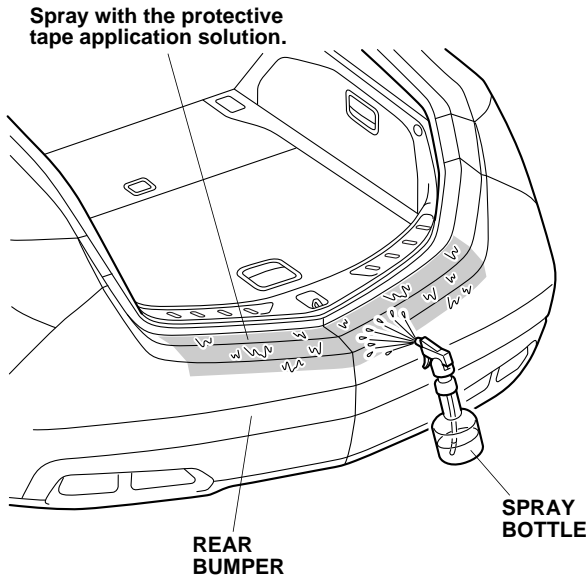
- Do not damage the paint finish.
- This kit should be installed only if the ambient air temperature is 15°C (60°F) or above.
- To allow the adhesive to cure, do not wash the vehicle for 24 hours. Please advise the client.

### Installing the Rear Bumper Applique

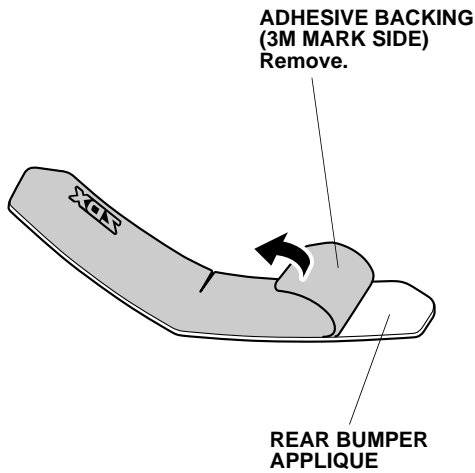
1. Open the tailgate. Using isopropyl alcohol on a shop towel, thoroughly clean the area where the rear bumper applique will attach.



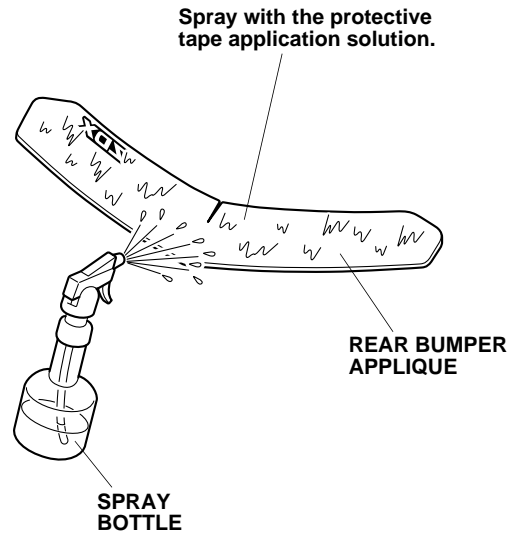
- Using a spray bottle with the protective tape application solution, spray the area where the rear bumper applique will attach.



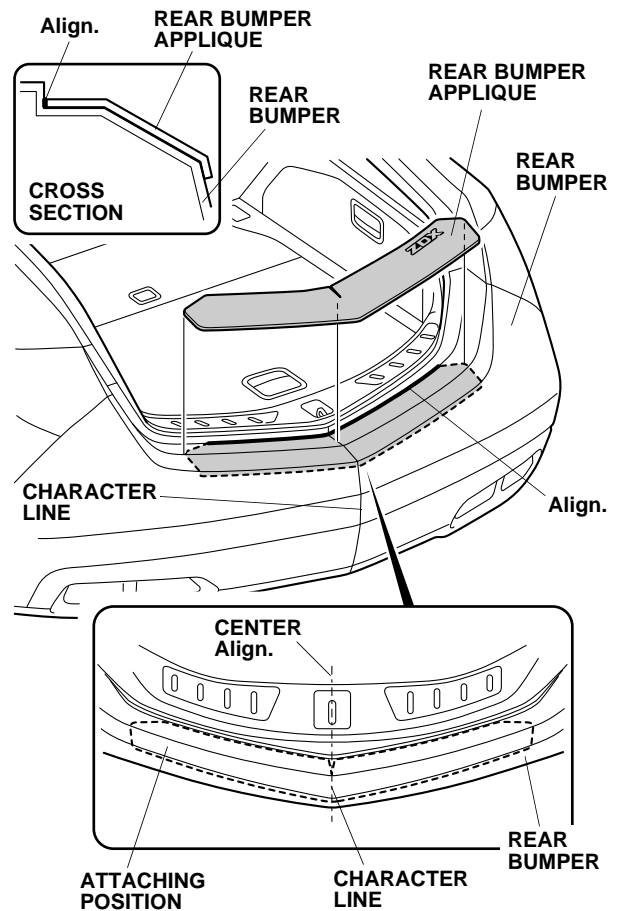
- Remove the adhesive backing (3M mark side) from the rear bumper applique.



- Spray the rear bumper applique with the protective tape application solution.

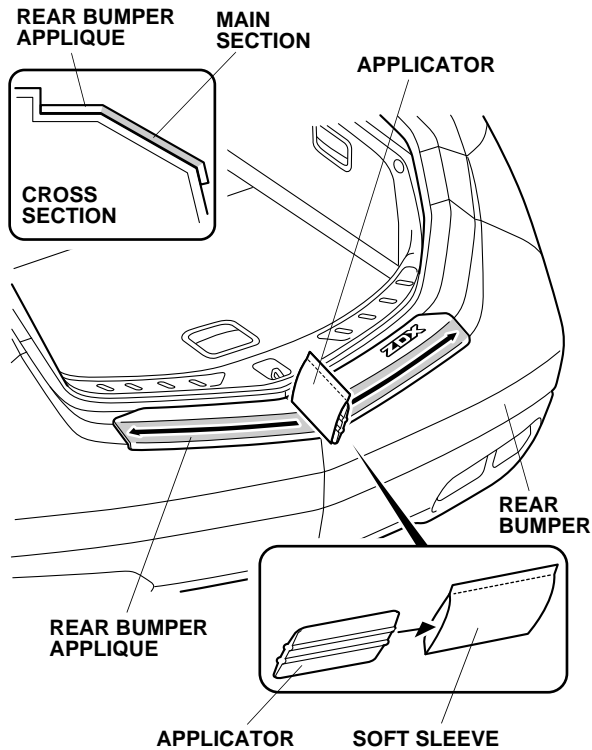


- Align the center of the rear bumper applique with the character line on the rear bumper.

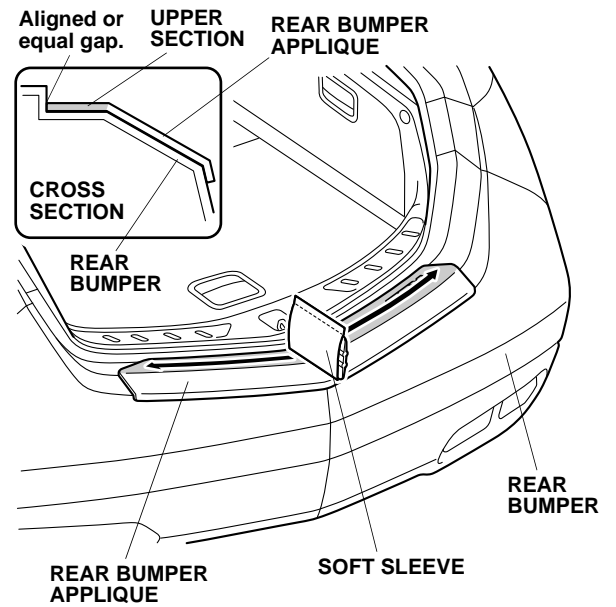


- Align and attach the rear bumper applique to the rear bumper as shown.

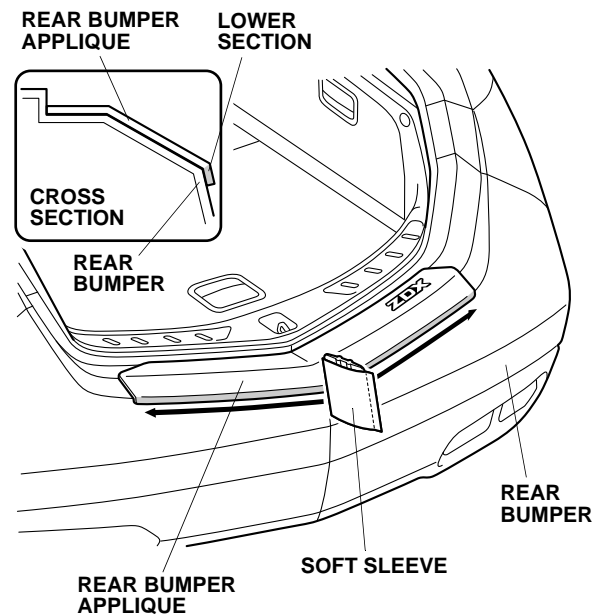
7. Insert the applicator into the soft sleeve. Starting from the center and working outward, use the soft sleeve to smooth out the main section of the rear bumper applique against the rear bumper. Move the sleeve in one direction only. Do not smooth the upper and lower sections at this time. If you see an air bubble, stop and gently peel up that section to work out the bubble. Work slowly and keep pressure against the rear bumper applique.



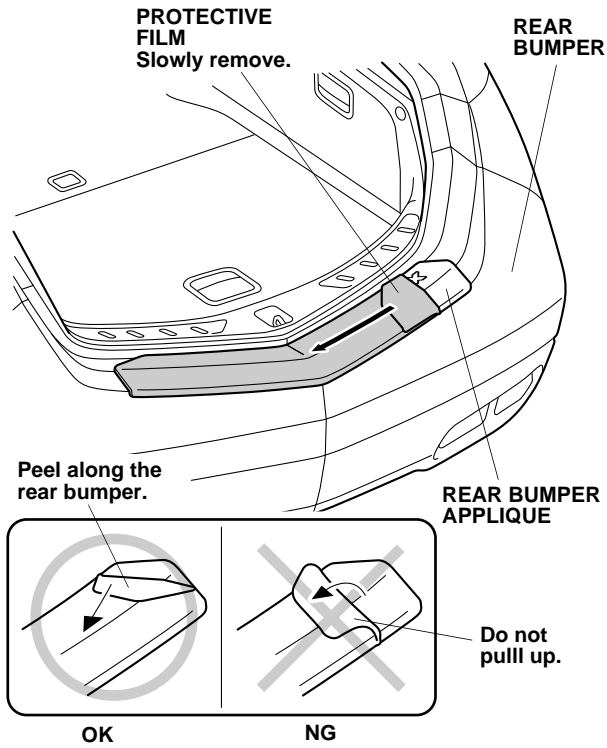
8. Repeat step 7 for the upper section of the rear bumper applique.



9. Repeat step 7 for the lower section of the rear bumper applique.



10. Slowly remove the protective film from the rear bumper applique. Remove the film horizontally, do not pull up.



11. Using a shop towel, wipe the excess protective tape application solution from the rear bumper. Allow the rear bumper applique to dry thoroughly.

