



# INSTALLATION INSTRUCTIONS

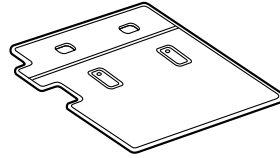
Accessory  
**CARGO LINERS**  
P/N 08P42-SZN-210

Application  
**2013 ZDX**

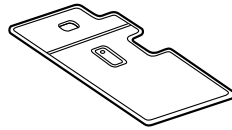
Publications No.  
**BII 13513**  
Issue Date  
**OCT 2012**

## PARTS LIST

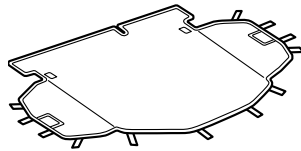
Left front cargo liner



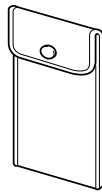
Right front cargo liner



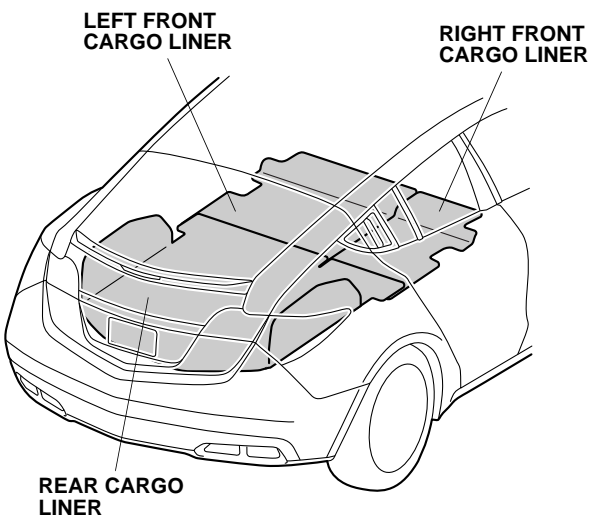
Rear cargo liner



Bag



## Illustration of the Cargo Liners in the Vehicle

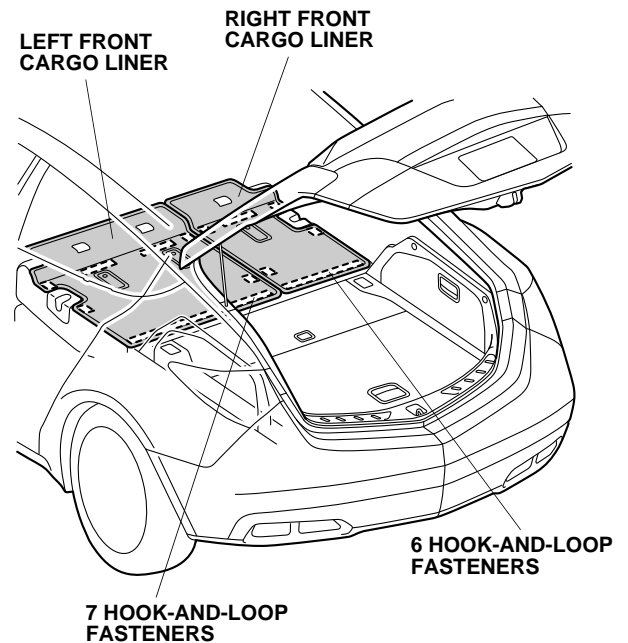


## INSTALLATION

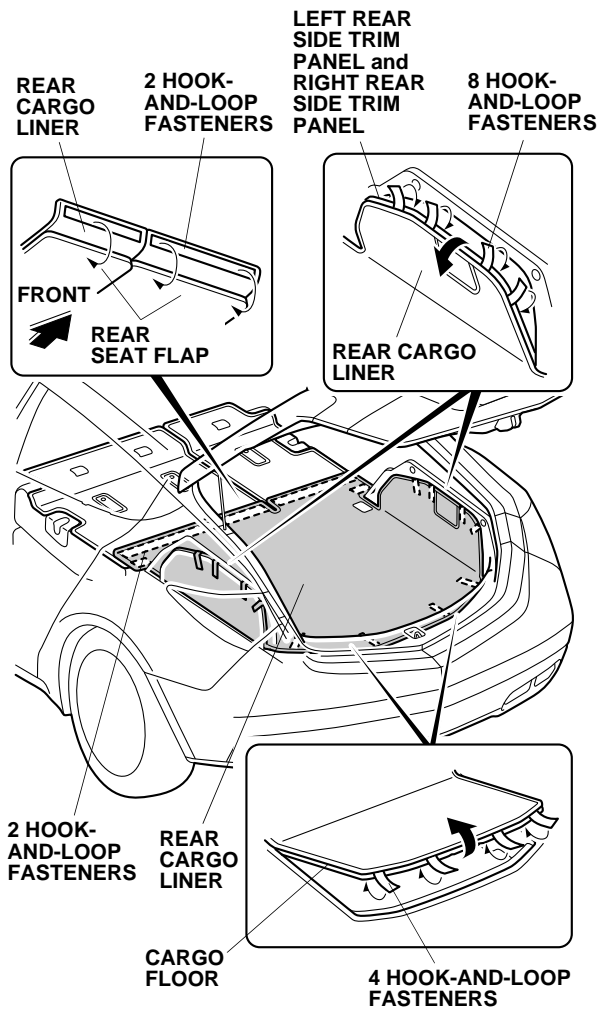
**Client Information:** The information in this installation instruction is intended for use only by skilled technicians who have the proper tools, equipment, and training to correctly and safely add equipment to your vehicle. These procedures should not be attempted by “do-it-yourselfers.”

**NOTE:** Be careful to not damage the interior panels during installation.

1. Fold the rear seats as described in the vehicle owner’s manual.
2. Install the left front cargo liner and right front cargo liner to the rear seats with thirteen hook-and-loop fasteners.



- Secure the rear cargo liner to the rear seat flap with two hook-and-loop fasteners.



## USE AND CARE

Store the cargo liner in the bag for safe-keeping when it is not being used.

- Secure the rear cargo liner to the left and right rear side trim panels with eight hook-and-loop fasteners.
- Secure the cargo liner to the cargo floor with four hook-and-loop fasteners.
- Secure the cargo liner to the cargo floor with two hook-and-loop fasteners.