



# INSTALLATION INSTRUCTIONS

Accessory  
**FRONT UNDER SPOILERS**  
P/N 08F01-TL2-200B

Application  
**2013 TSX**

Publications No.  
**BII 13484**  
Issue Date  
**SEP 2012**

## PARTS LIST

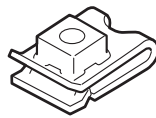
Left front under spoiler



Right front under spoiler



6 Clip nuts



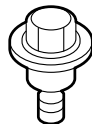
4 Spring nuts



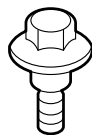
4 Self-tapping screws



4 Washer-bolts



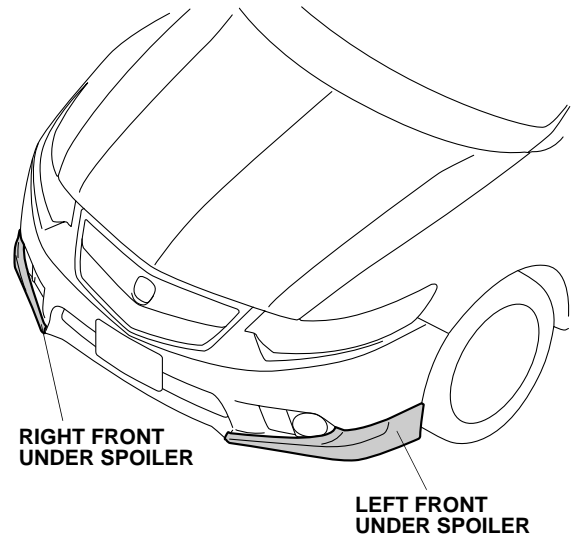
2 Bolts



## TOOLS AND SUPPLIES REQUIRED

Phillips screwdriver  
Masking tape  
Isopropyl alcohol  
Shop towel  
Ratchet  
10 mm Socket  
Torque wrench

## Illustration of the Front Under Spoilers on the Vehicle



## INSTALLATION

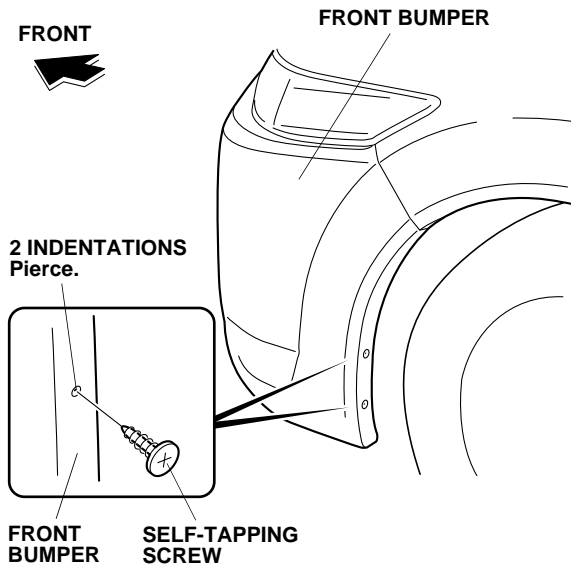
**Client Information:** The information in this installation instruction is intended for use only by skilled technicians who have the proper tools, equipment, and training to correctly and safely add equipment to your vehicle. These procedures should not be attempted by "do-it-yourselfers."

### NOTE:

- Do not damage the vehicle's paint finish.
- This kit should be installed only if the ambient air temperature is 15°C (60°F) or above. Heat the front under spoiler and bonding surface with a dryer set on LOW if the ambient air temperature is below 15°C (60°F).
- To allow the adhesive to cure, do not wash the vehicle for 24 hours. Please advise the client.

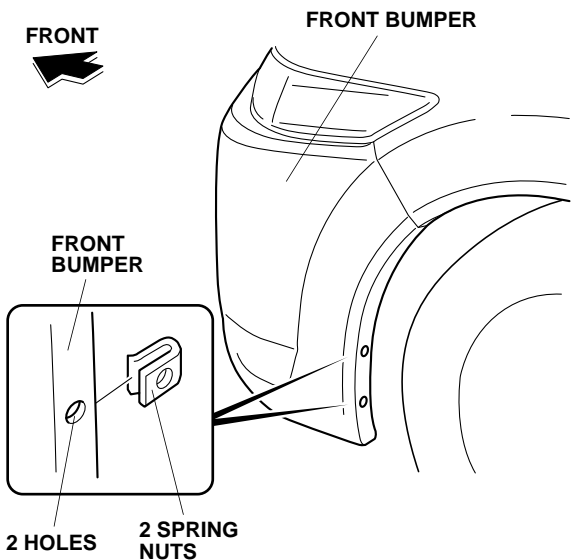
## Installing the Front Under Spoilers

1. Raise the vehicle off the ground and support it as described in the service manual.
2. Using one self-tapping screw, pierce the two indentations in the front bumper.



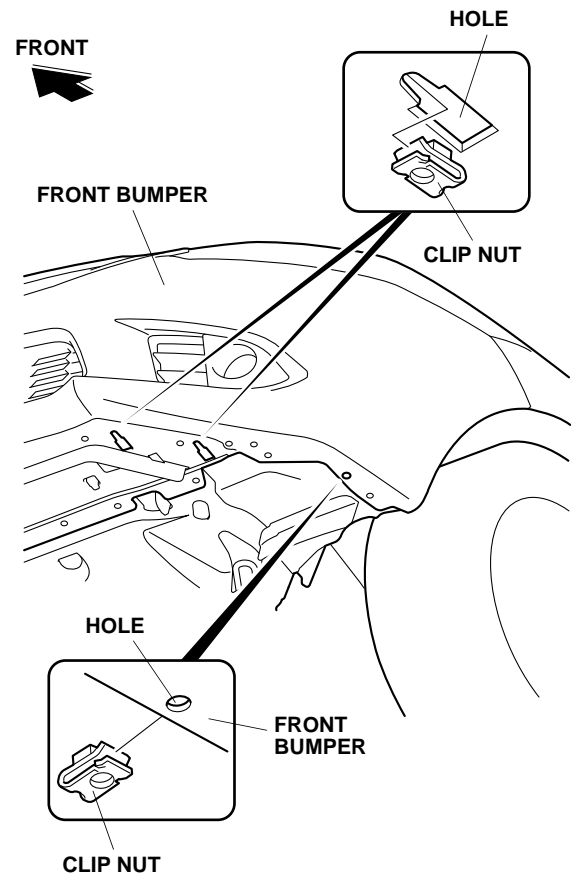
3. Install two spring nuts over the two holes made in the front bumper in step 2.

NOTE: Make sure the spring nuts are installed correctly.

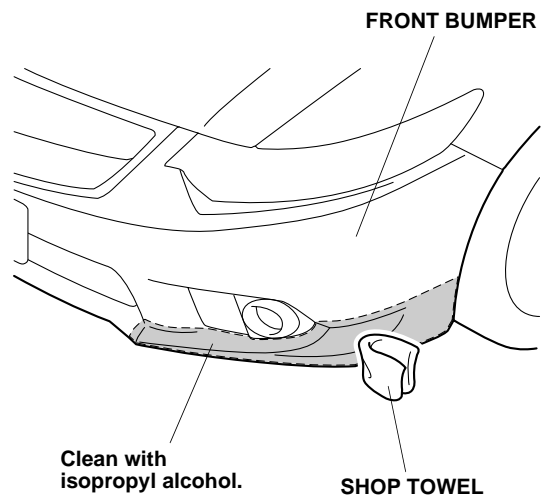


4. Install three clip nuts to the bottom of the front bumper as shown.

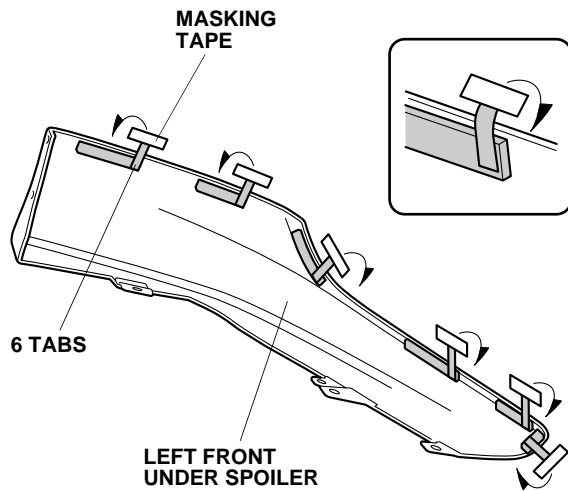
NOTE: Make sure the clip nuts are installed correctly.



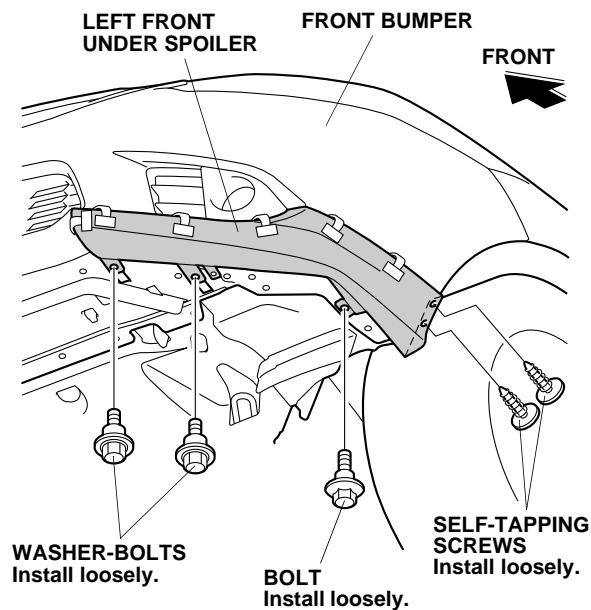
5. Using isopropyl alcohol on a shop towel, thoroughly clean the area where the left front under spoiler will attach.



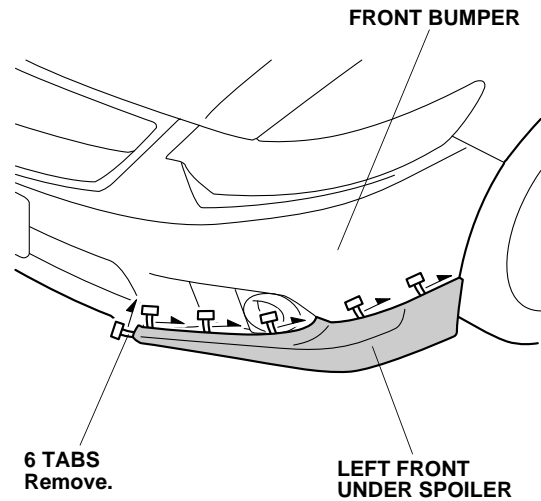
- Attach a piece of masking tape to the end of each tab and temporarily attach the tape to the front surface of the left front under spoiler.



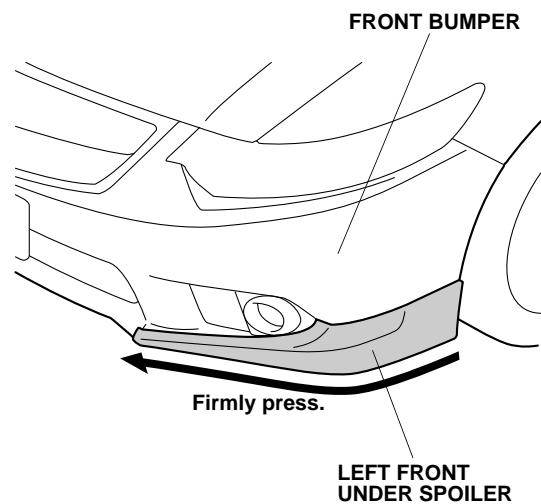
- Loosely install the left front under spoiler to the front bumper with two washer-bolts, one bolt, and two self-tapping screws.



- While applying light pressure to position the left front under spoiler, carefully remove the tabs.



- Using the palm of your hand, firmly press the left front under spoiler against the front bumper. Start at the back and work toward the front. Make sure there is no gap.



- Tighten the two self-tapping screws loosely installed in step 7.
- Tighten the two washer-bolts and one bolt loosely installed in step 7. Torque the bolts to 6.86 - 11.77 N·m (5.1 - 8.7 lbf·ft).
- Repeat steps 2 through 11 on the right side of the vehicle.