



# INSTALLATION INSTRUCTIONS

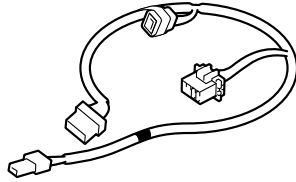
Accessory  
**TRAILER HARNESS**  
P/N 08L91-TX4-200

Application  
**2013 RDX**

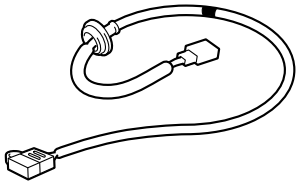
Publications No.  
**BII 13528**  
Issue Date  
**MAR 2012**

## PARTS LIST

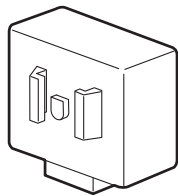
Trailer unit harness



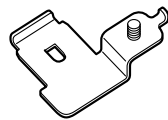
Trailer socket harness



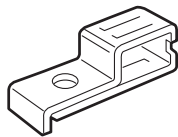
Trailer unit



Unit bracket



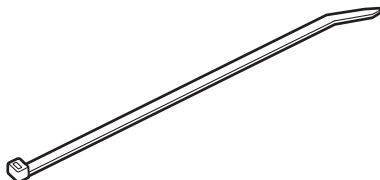
Connector bracket



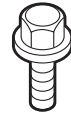
Clip  
(may not be used)



14 Wire ties



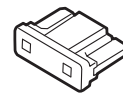
Flange bolt



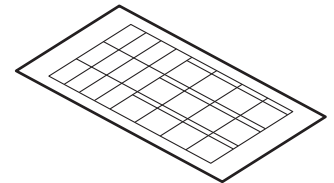
2 Flange nuts



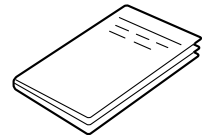
20A Fuse



Fuse label



Accessory User's Information Manual



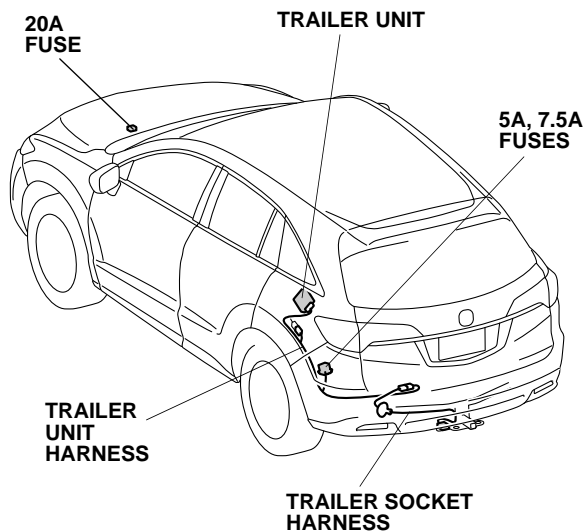
## TOOLS AND SUPPLIES REQUIRED

Phillips screwdriver  
Flat-tip screwdriver  
Impact screwdriver  
Ratchet  
6 mm, 8 mm, and 10 mm Sockets  
Diagonal cutters  
Blanket  
Isopropyl alcohol  
Shop towel  
Tape  
10 mm Open end wrench  
Small flat-tip screwdriver  
5 mm Hex wrench

*The following tool is available through the Honda Tool and Equipment Program. On the iN, click on: Service > Service Bay > Tool and Equipment Program, then enter the number under "Search". Or, call 888-424-6857.*

Trim Tool Set (T/N SOJATP2014)

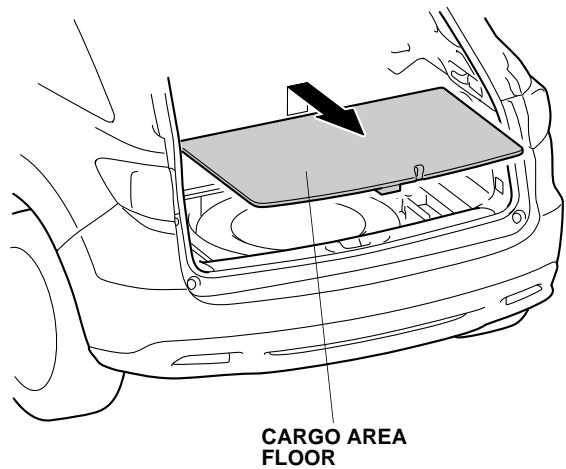
### Illustration of the Trailer Harness in the Vehicle



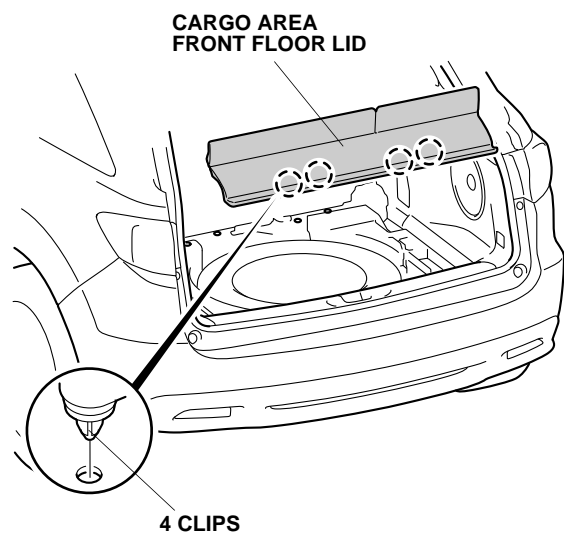
## INSTALLATION

**Client Information:** The information in this installation instruction is intended for use only by skilled technicians who have the proper tools, equipment, and training to correctly and safely add equipment to your vehicle. These procedures should not be attempted by "do-it-yourselfers."

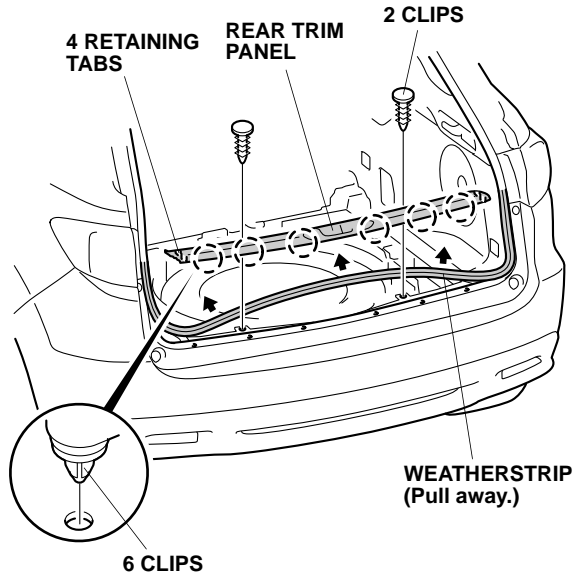
1. Disconnect the negative cable from the battery.
2. Remove the cargo area floor.



3. Remove the cargo area front floor lid (four clips).

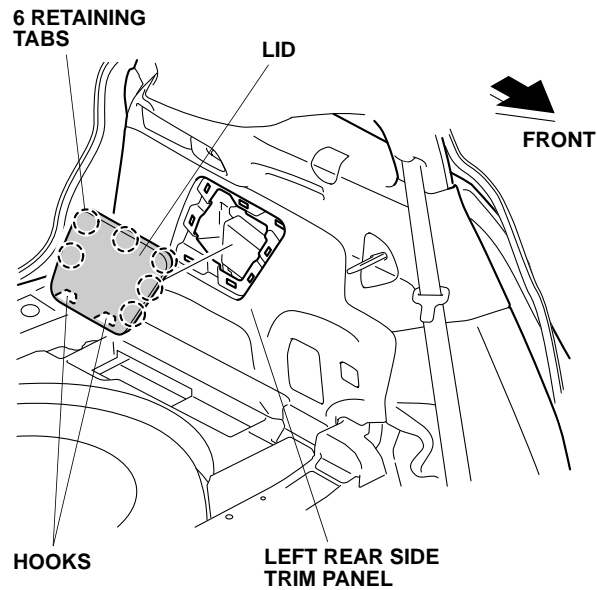


4. Pull away the weatherstrip.

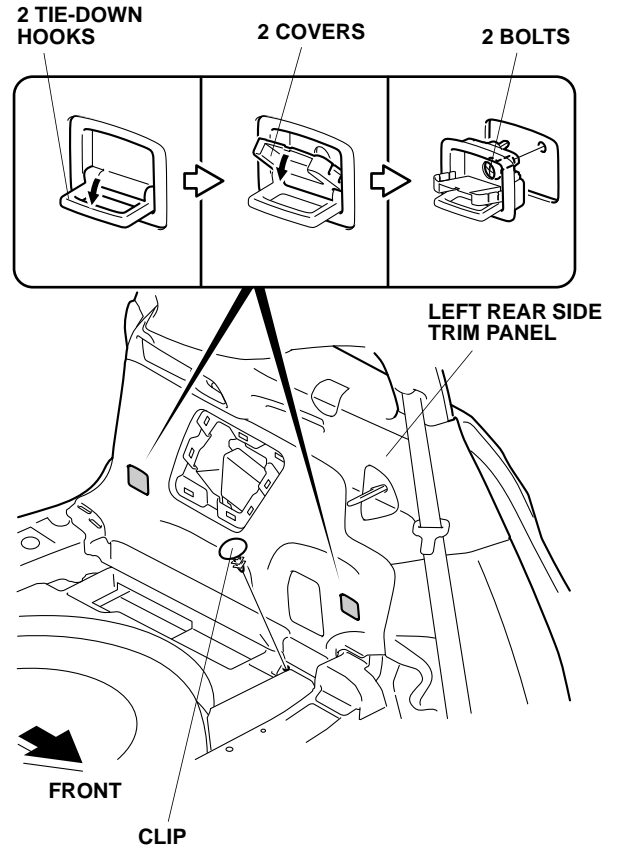


5. Remove the rear trim panel (four retaining tabs and eight clips).

6. Remove the lid (six retaining tabs and two hooks).

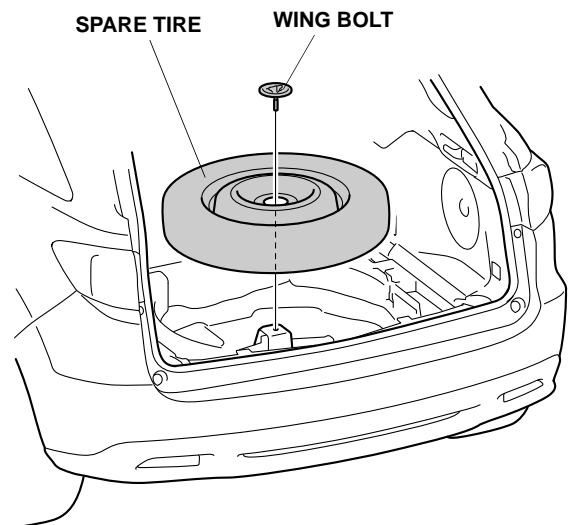


7. Remove one clip.

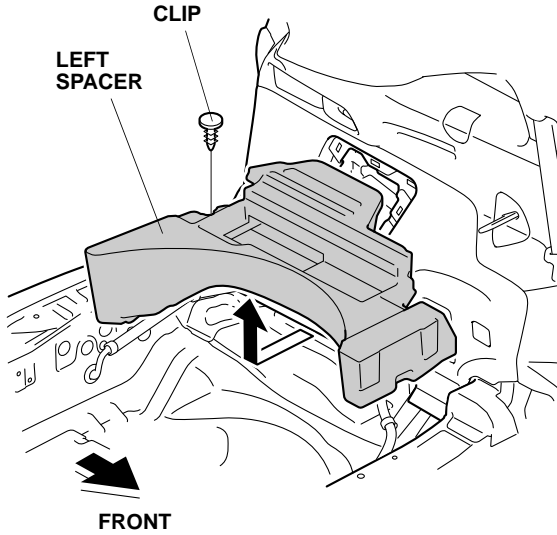


8. Remove the two tie-down hooks (two bolts).

9. Remove the spare tire (one wing bolt).

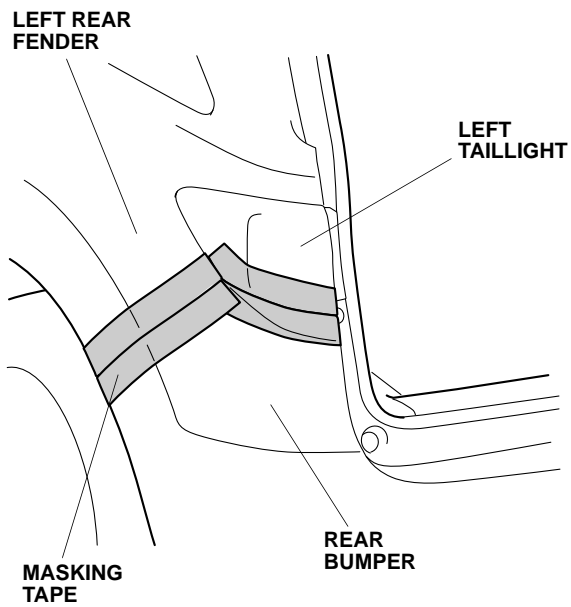


10. Remove the left spacer (one clip).

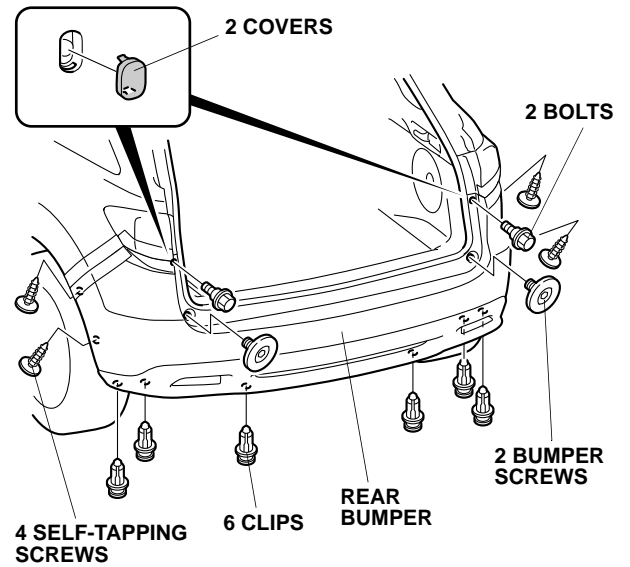


11. Remove the rear bumper.

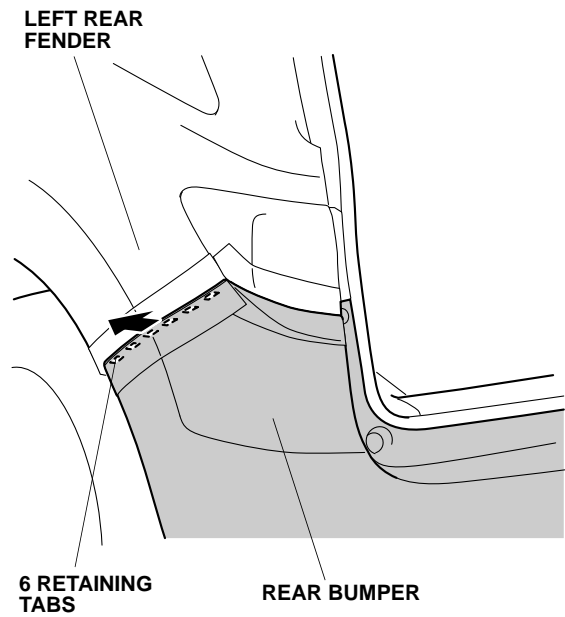
- On each side of the vehicle, attach masking tape to the rear bumper, taillight, and rear fender as shown.



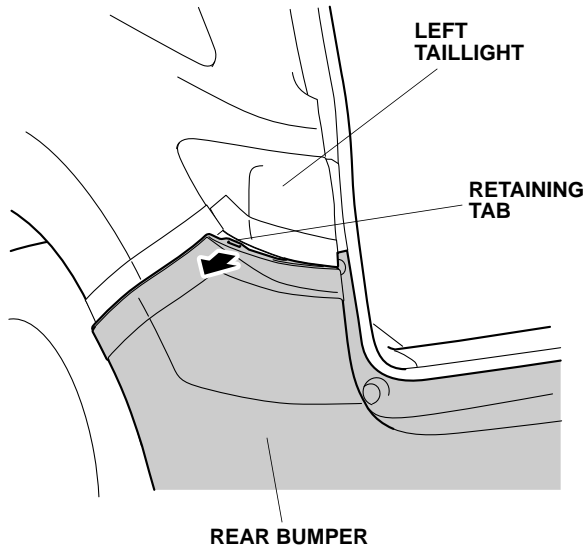
- Remove two covers, two bumper screws, two bolts, four self-tapping screws, and six clips.



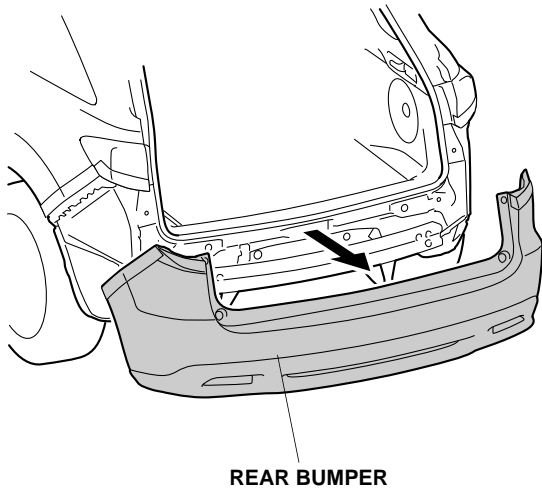
- Release six retaining tabs on each side of the bumper.



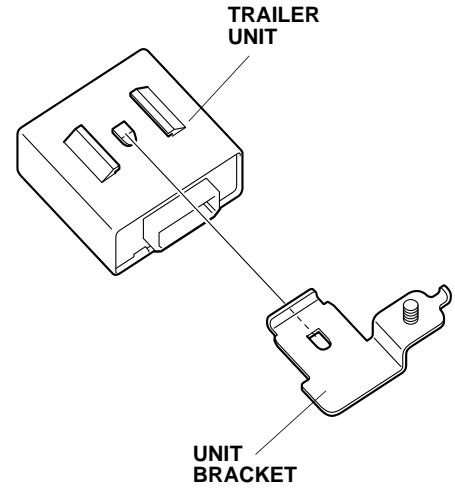
- Release one retaining tab on each side of the bumper.



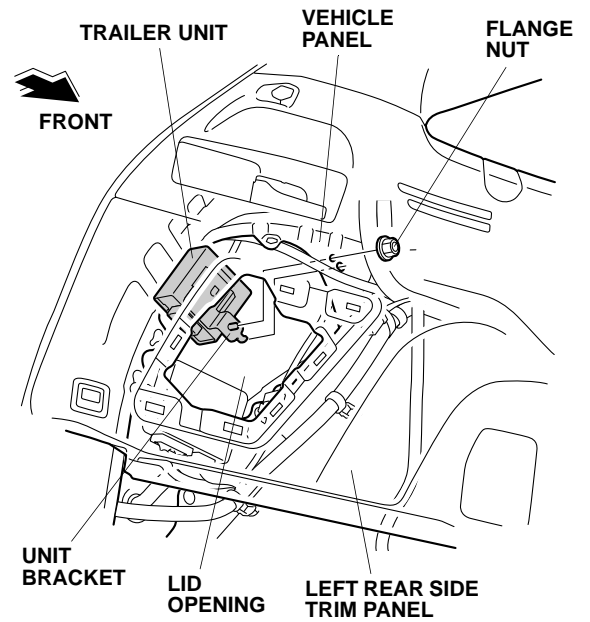
- With the help of an assistant, remove the rear bumper.
- Place the rear bumper on a blanket.



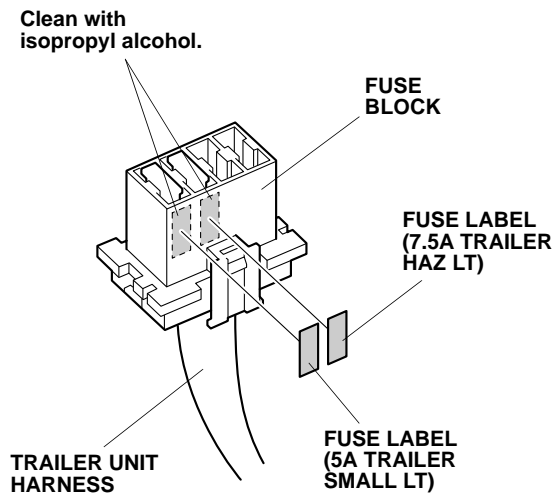
12. Install the unit bracket to the trailer unit. Make sure the unit bracket is installed in the correct position.



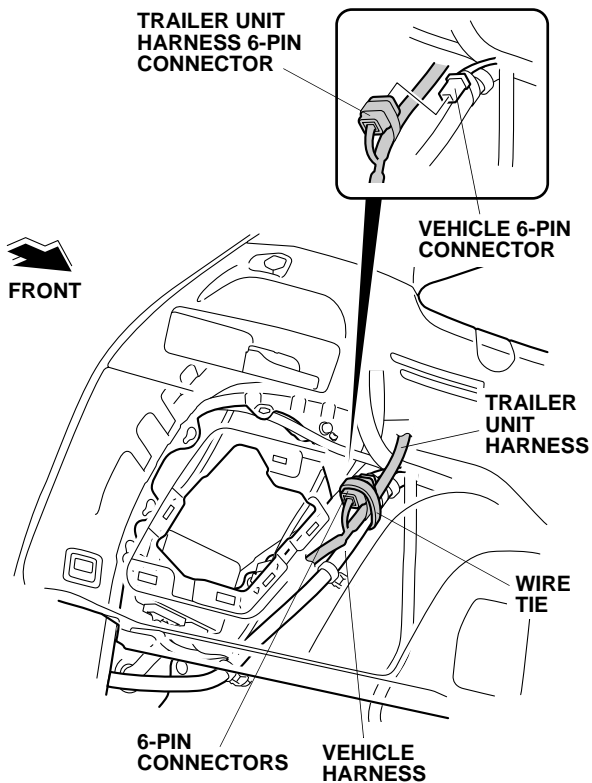
13. Secure the trailer unit to the vehicle panel with a flange nut as shown.



- Using isopropyl alcohol on a shop towel, thoroughly clean the fuse block where the fuse labels will attach.

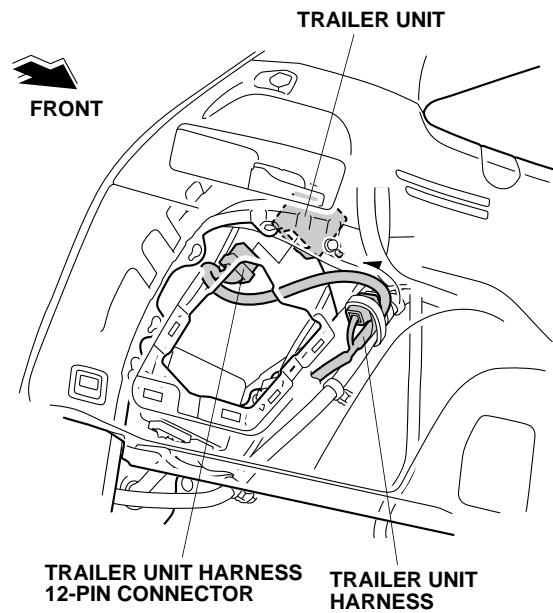


- Attach the two fuse labels to the fuse block on the trailer unit harness as shown.
- Locate the vehicle 6-pin connector taped to the vehicle harness. Plug the trailer unit harness 6-pin connector to the vehicle 6-pin connector.

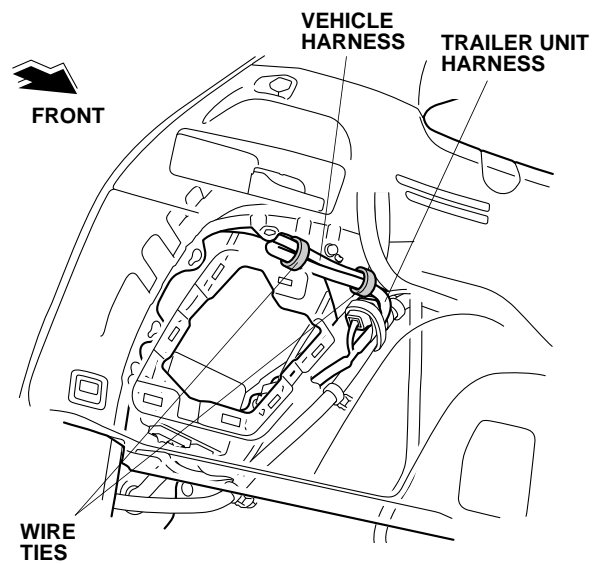


- Secure the 6-pin connectors and trailer unit harness to the vehicle harness with a wire tie.

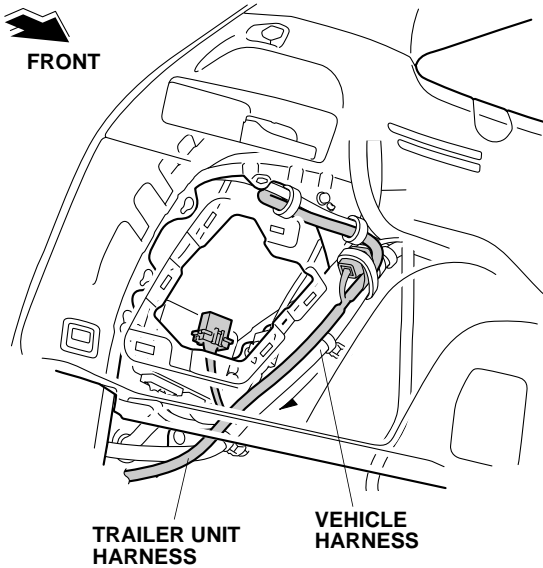
- Route the trailer unit harness. Plug the trailer unit harness 12-pin connector to the trailer unit.



- Secure the trailer unit harness to the vehicle harness with two wire ties.



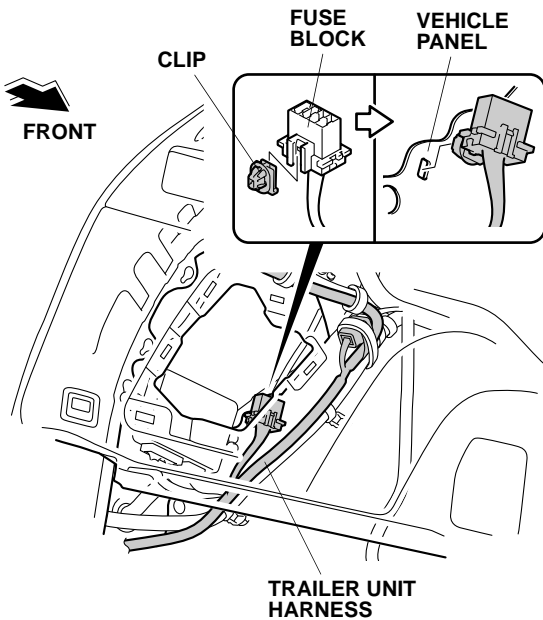
20. Route the trailer unit harness along the vehicle harness.



2WD vehicle, go to step 21; 4WD vehicle, go to step 23.

*2WD vehicle*

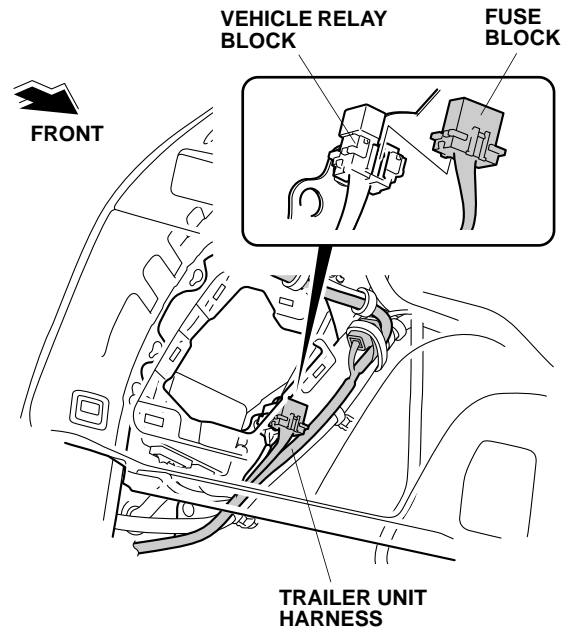
21. Install the clip to the fuse block on the trailer unit harness.



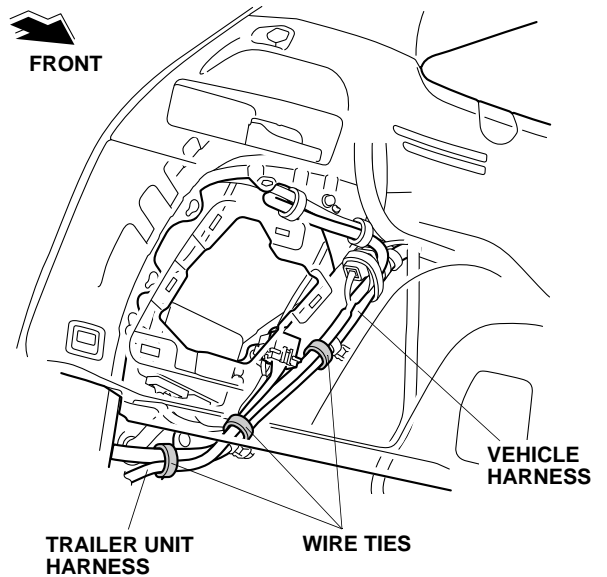
22. Secure the fuse block on the trailer unit harness to the vehicle panel. Go to step 24.

*4WD vehicle*

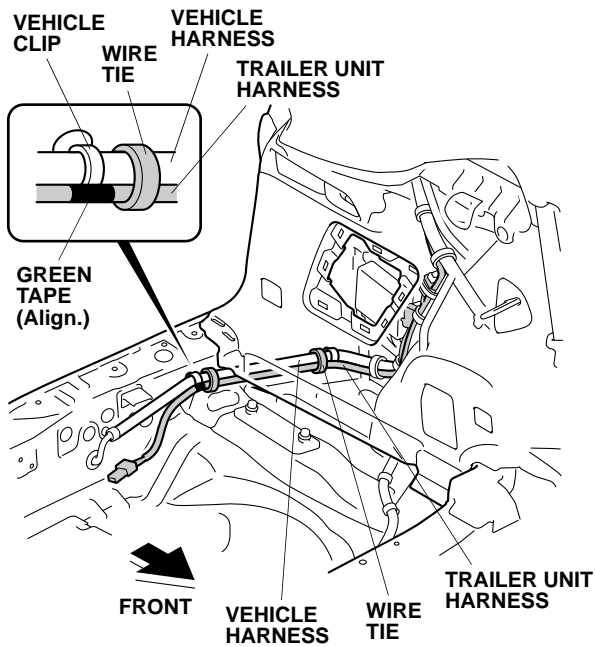
23. Secure the fuse block on the trailer unit harness to the vehicle relay block as shown.



24. Secure the trailer unit harness to the vehicle harness with three wire ties.

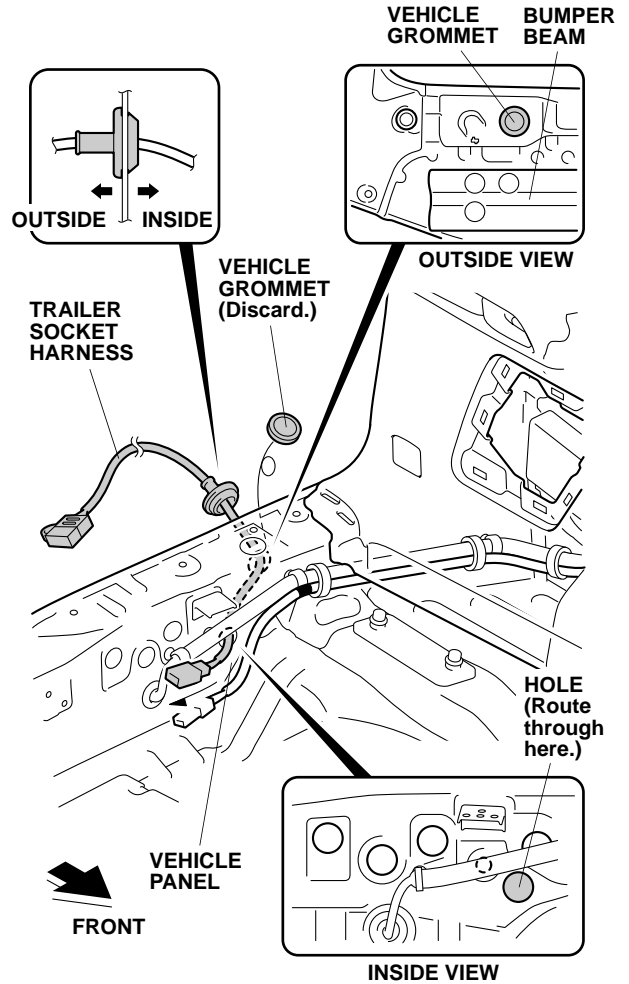


25. Route the trailer unit harness along the vehicle harness.



26. Align the green tape on the trailer unit harness to the vehicle clip, and secure the trailer unit harness to the vehicle harness with a wire tie.
27. Secure the trailer unit harness to the vehicle harness with a wire tie.

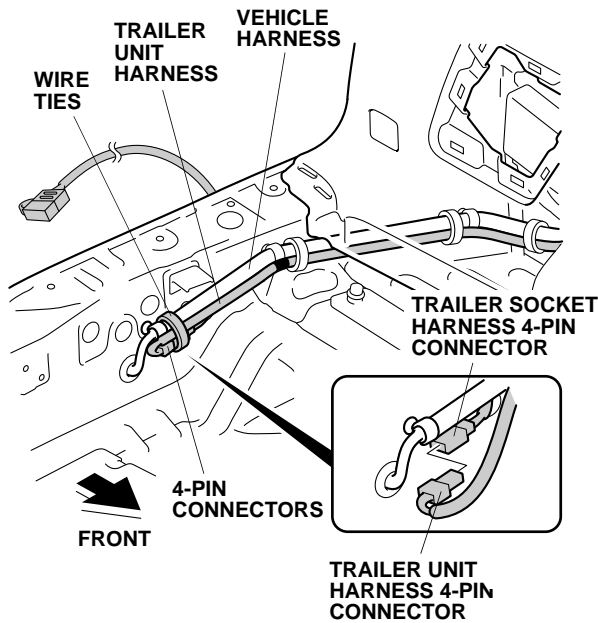
28. Remove the vehicle grommet.



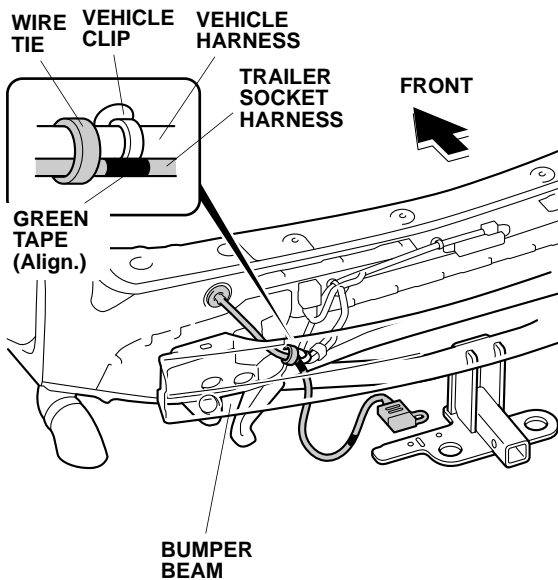
29. Route the trailer socket harness through the vehicle panel as shown, and secure the grommet on the trailer socket harness to the vehicle panel.



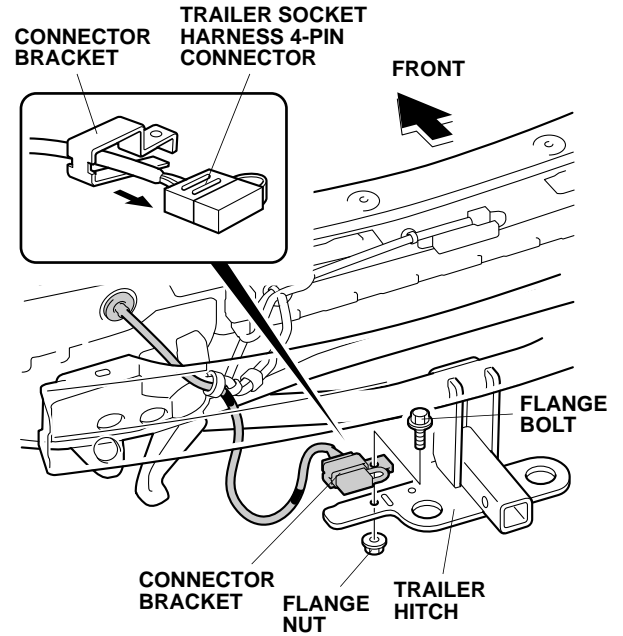
30. Plug the trailer socket harness 4-pin connector to the trailer unit harness 4-pin connector. Secure the 4-pin connectors and trailer unit harness to the vehicle harness with a wire tie.



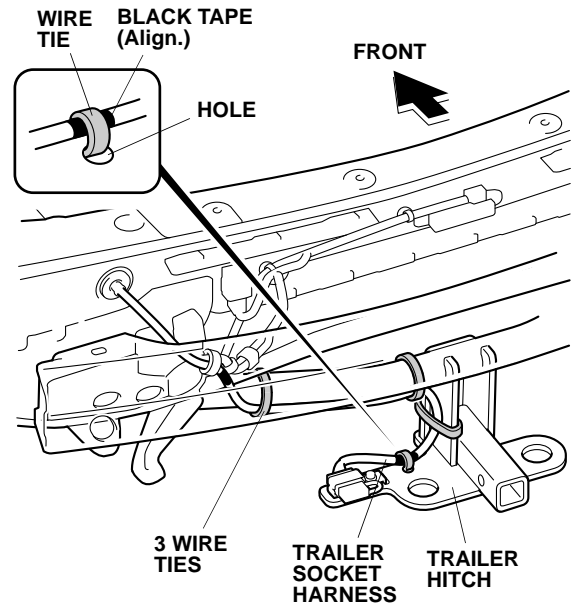
31. Align the green tape on the trailer socket harness to the vehicle clip, and secure the trailer socket harness to the vehicle harness with a wire tie.



32. Route the trailer socket harness as shown.

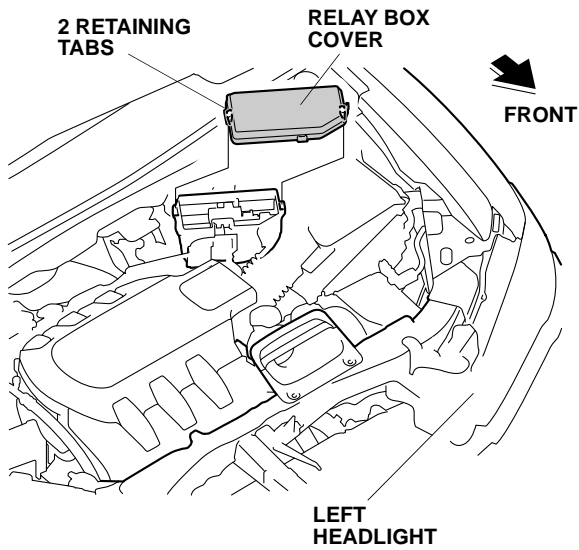


33. Install the connector bracket to the trailer socket harness 4-pin connector as shown, and secure it to the trailer hitch with a flange bolt and a flange nut.
34. Align the black tape on the trailer socket harness to the hole in the trailer hitch, and secure the trailer socket harness to the trailer hitch with a wire tie.

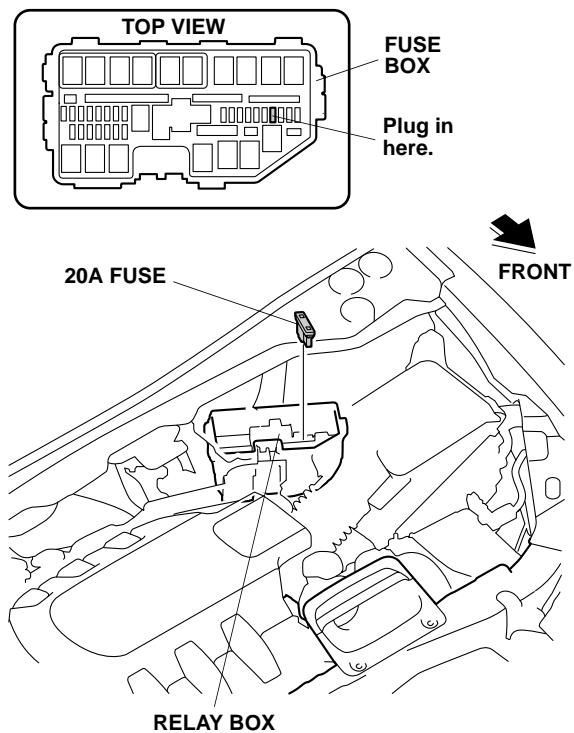


35. Secure the trailer socket harness to the trailer hitch with three wire ties.

36. In the engine compartment, remove the relay box cover (two retaining tabs).



37. Plug the 20A fuse into the relay box as shown.



38. Check that all wire harnesses are routed properly and all connectors are plugged in.
39. Reinstall all removed parts.
40. Reconnect the negative cable to the battery.
41. Press and hold the radio power button for two seconds to restore the radio and navi (if equipped) system functions.
42. Reset the clock (vehicles without navigation).