



# INSTALLATION INSTRUCTIONS

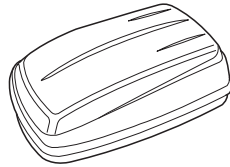
Accessory  
**ROOF BOX (SHORT)**  
P/N 08L20-TAI-200

Application  
**2013 MDX**

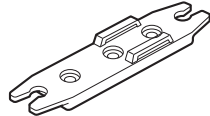
Publications No.  
**BII 13433**  
Issue Date  
**JULY 2012**

## PARTS LIST

Roof box



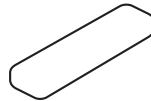
4 Brackets A



4 Brackets B



9 Plates



4 Knobs



8 Bolts



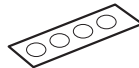
8 Washers



2 Straps



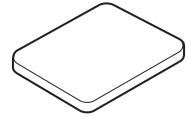
Seal



2 Keys



4 Large pads



4 Small pads



## TOOLS AND SUPPLIES REQUIRED

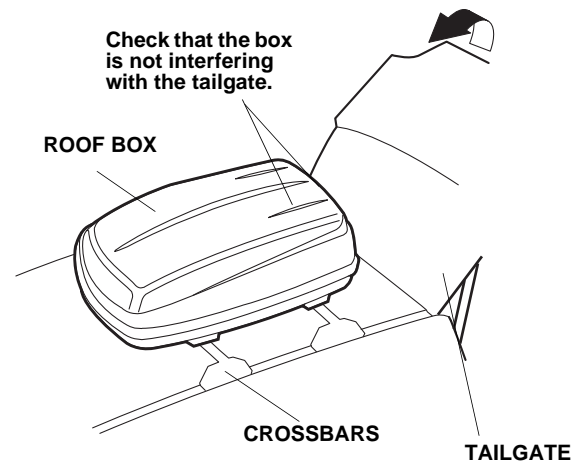
Isopropyl alcohol

Shop towel

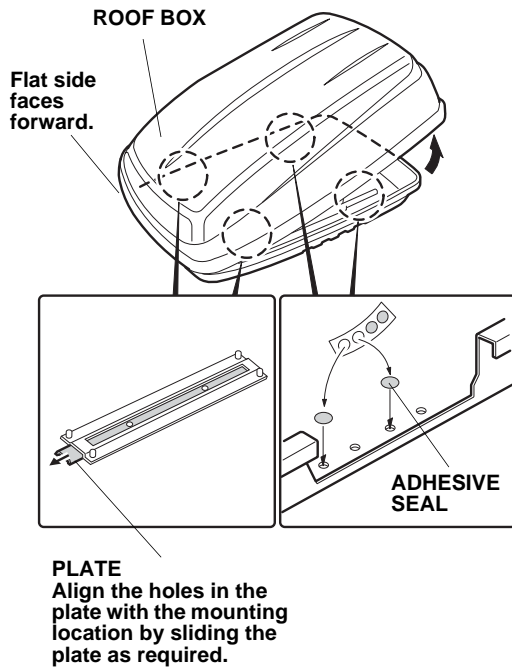
## INSTALLATION

### NOTE:

- Be careful not to damage the finished surfaces of the body when installing the roof box.
  - An Acura roof rack is required to install the roof box.
  - The maximum load capacity for roof racks vary from model to model. Check the vehicle owner's manual, the roof rack installation instructions, or the load label on the rack for the roof rack load capacity.
  - The maximum load capacity for the roof box is 110 lb (50kg): approximate roof box weight is 29 lb (13 kg).
  - Do not allow the combined weight of the roof box and cargo to exceed the carrying capacity of the roof rack.
1. With the help of an assistant, carefully place the box on the crossbars. Open the tailgate to make sure the box will not interfere with the tailgate when it is open.

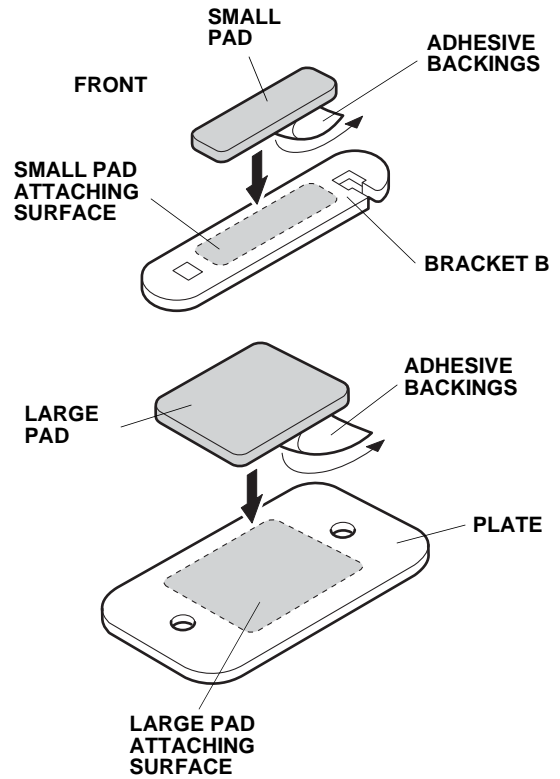


2. Open the roof box. Slide the plates to align the holes in the plates with the mounting location at the front crossbar.



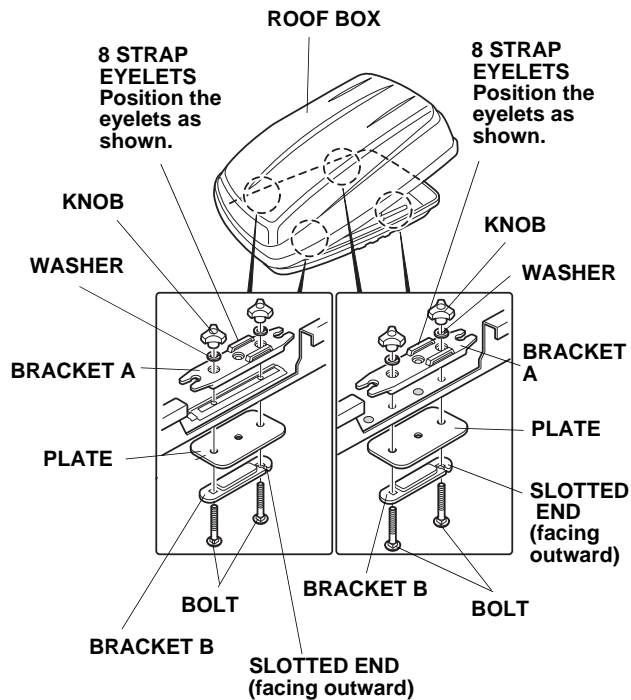
3. Attach adhesive seals over the four unused mounting holes (two on each side) on the bottom of the box. The seals will help prevent water from entering the roof box. Remove the roof box.

4. Using isopropyl alcohol on a shop towel, clean four brackets B where the small pads will attach. Remove the adhesive backings from the small pads, and attach them to the brackets B.



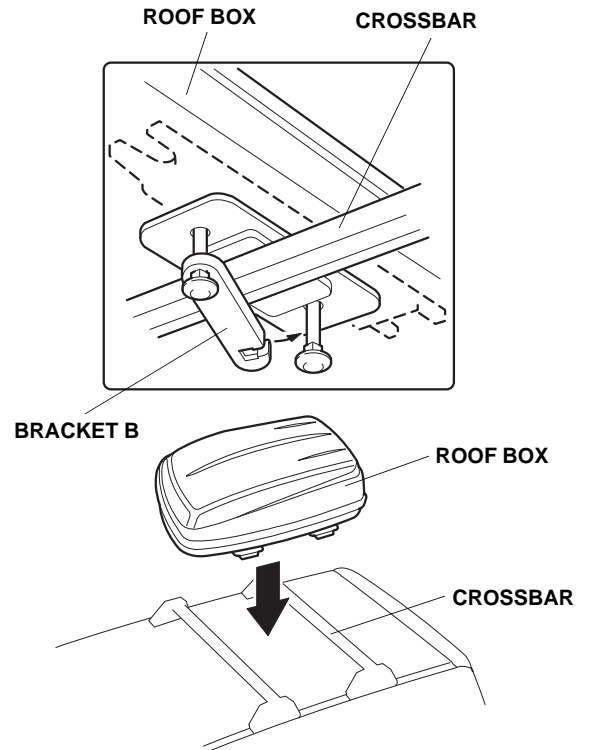
5. Using isopropyl alcohol on a shop towel, clean the four plates where the large pads will attach. Remove the adhesive backings from the large pads, and attach them to the plates.

6. Under the roof box, insert one bolt through each bracket B, through the plate, and into the predrilled hole in the bottom of the roof box. Make sure the pads on the plate and bracket B face each other.



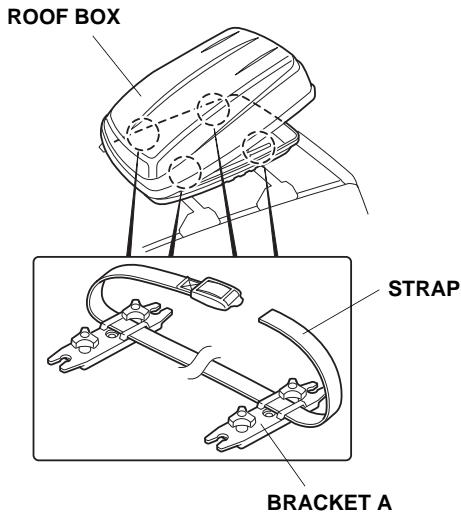
7. Fit one bracket A over the threads of each bolt where it extends through the roof box. Install a washer over the threads, and loosely install a knob. Install a second bolt the same way.
  - Install each bracket A so that the right and left eyelets are positioned directly across from each other.
  - Install bracket B with the slotted end facing outward.
8. Repeat steps 6 and 7 to install brackets at the other three mounting points.

9. With the help of an assistant, carefully place the box on the crossbars. Be aware of the hardware hanging from the bottom of the box.



10. Arrange the plate to fit between the box and the crossbars. Swing the slotted end of bracket B around the bolt, and tighten the knobs. Fasten the bolts this way at all four mounting points.
  - If necessary, adjust the distance between the crossbars to match the pattern in the predrilled holes in the roof box. The minimum bar spread required is 800 mm (31 in.) for all racks.
  - The roof rack should be centered on the crossbars and parallel to the direction of travel.

11. Insert the straps through the eyelets in each bracket A, and attach each strap together.



## LOADING THE ROOF BOX

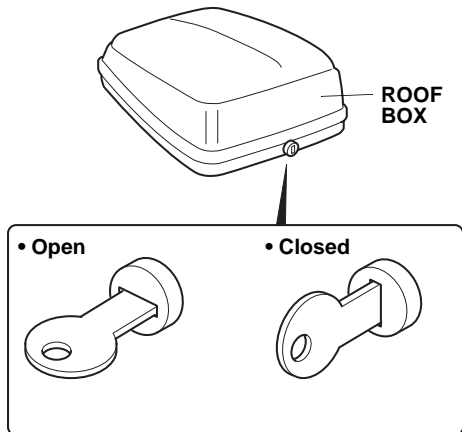
Load weight equally on both sides to minimize imbalance. Do not overload the roof box; the maximum allowable load is 110 lb (50 kg).

Loads must be secured with the straps to prevent them from sliding. Check the fasteners at regular intervals.

## USE AND CARE

### Unlocking/Locking the Roof Box

**Unlocking:** Insert the key into the lock, and turn it counterclockwise to unlock. Press the center button and lift the lid of the roof box.



**Locking:** Press down on the lid. There should be an audible click. Be sure the lid is latched by attempting to lift the lid. Turn the key clockwise to lock the roof box. Remove the key while not in use. Be sure the straps are not outside the roof box.