



# INSTALLATION INSTRUCTIONS

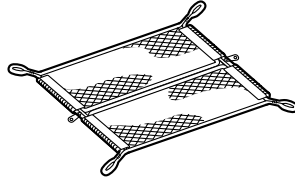
Accessory  
**CARGO NET**  
P/N 08L96-SZN-200

Application  
**2012 ZDX**

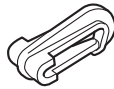
Publications No.  
**BII 46580**  
Issue Date  
**AUG 2011**

## PARTS LIST

Cargo net



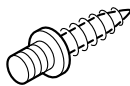
4 Hooks



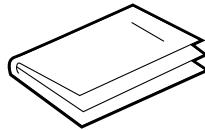
4 Anchors



4 Double-end self-tapping screws



Accessory User's Information Manual



## TOOLS AND SUPPLIES REQUIRED

Pushpin

Drill

3 mm and 10 mm Drill bit

Eye protection (face shield, safety goggles, etc.)

Tape

## INSTALLATION

**Client Information:** The information in this installation instruction is intended for use only by skilled technicians who have the proper tools, equipment, and training to correctly and safely add equipment to your vehicle. These procedures should not be attempted by "do-it-yourselfers."

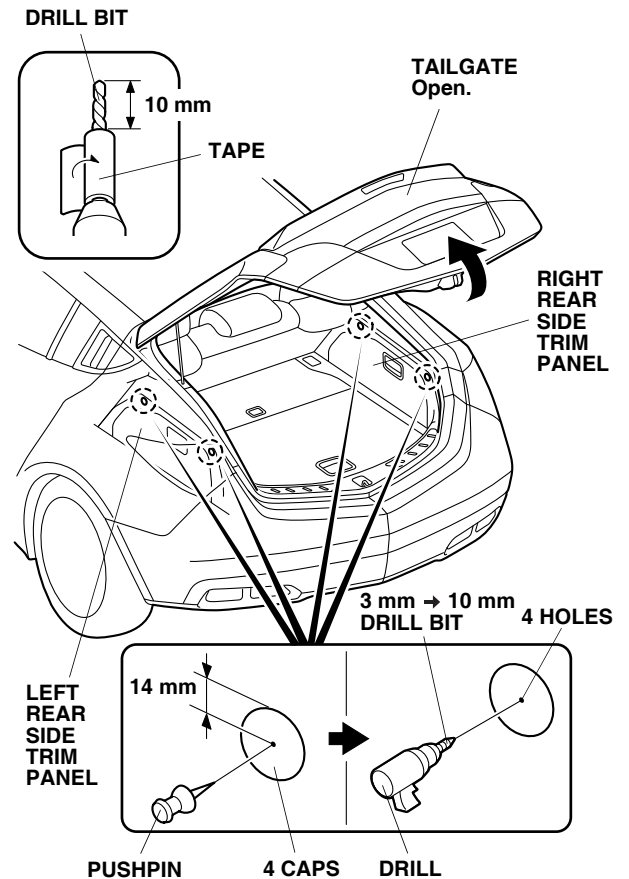
## NOTE:

- If you are also installing a cargo cover (sold separately), install the cargo cover before you install the cargo net.
- Be careful not to scratch the interior panels when installing the cargo net.

**If the vehicle is equipped with an accessory cargo cover, go to step 6, otherwise, continue with step 1.**

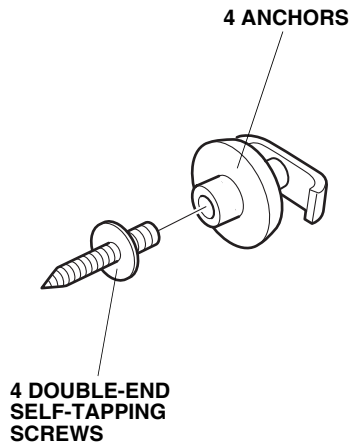
### Installing the Cargo Net

1. Open the tailgate.
2. Using a pushpin, measure and pierce the center of four caps on the left and right rear trim panels as shown.

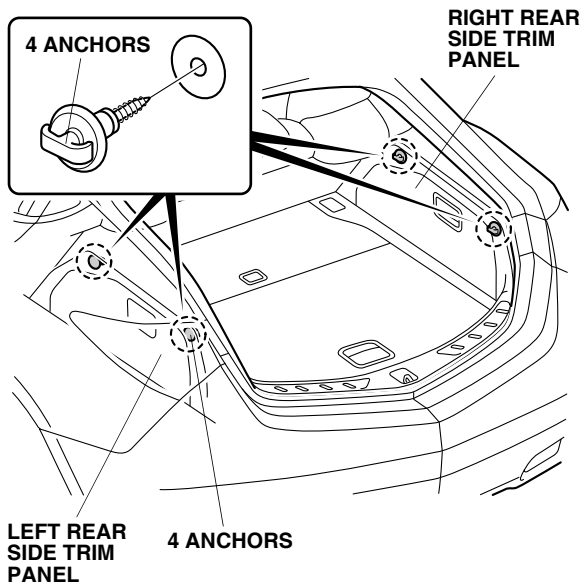


3. While wearing eye protection, drill two holes in the left and two holes in the right rear side trim panels. First drill with a 3 mm drill bit, then enlarge the holes with a 10 mm drill bit. To prevent damage to the inner panels, wrap tape around the end of each drill bit 10 mm away from the tip.

4. Install four double-end self-tapping screws to the four anchors.

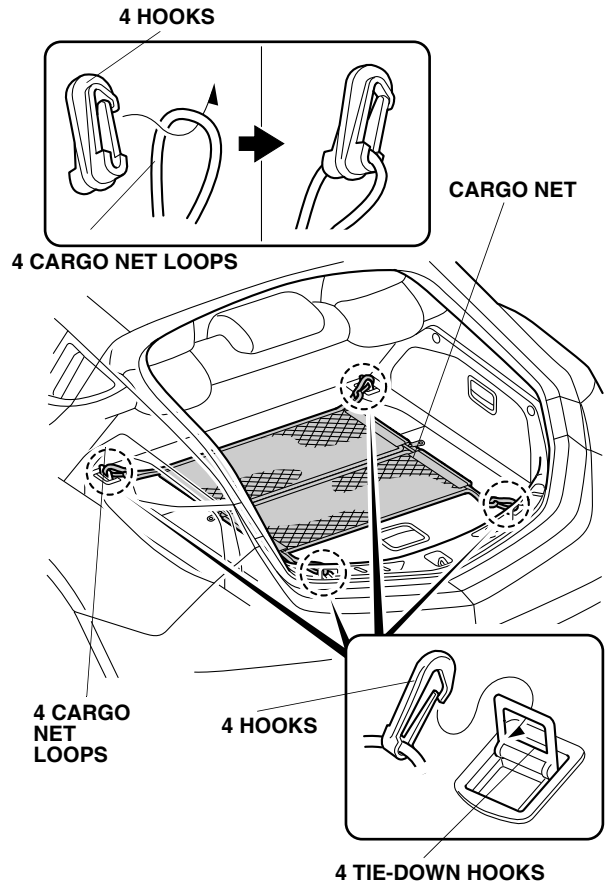


5. Install two anchors into the left and two anchors into the right rear side trim panels.



### Position A

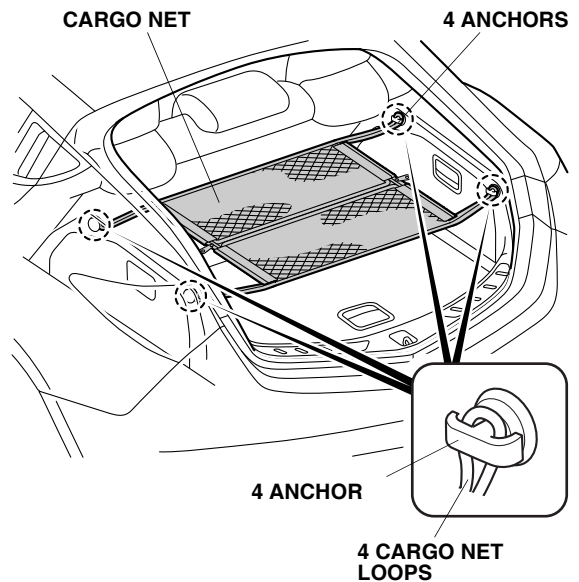
6. Attach the four hooks to the four cargo net loops.



7. Secure the four cargo net hooks to the four tie-down hooks.

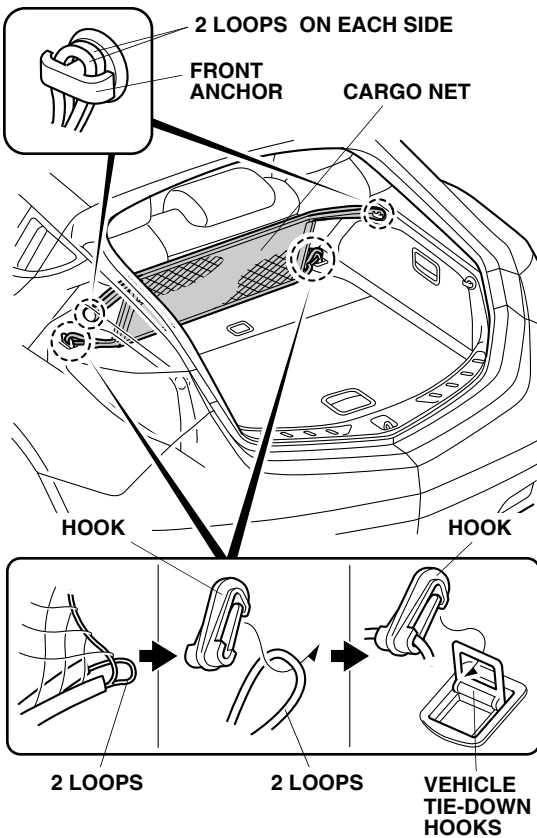
### Position B

8. Attach the four cargo net loops to the four anchors shown.



### Position C

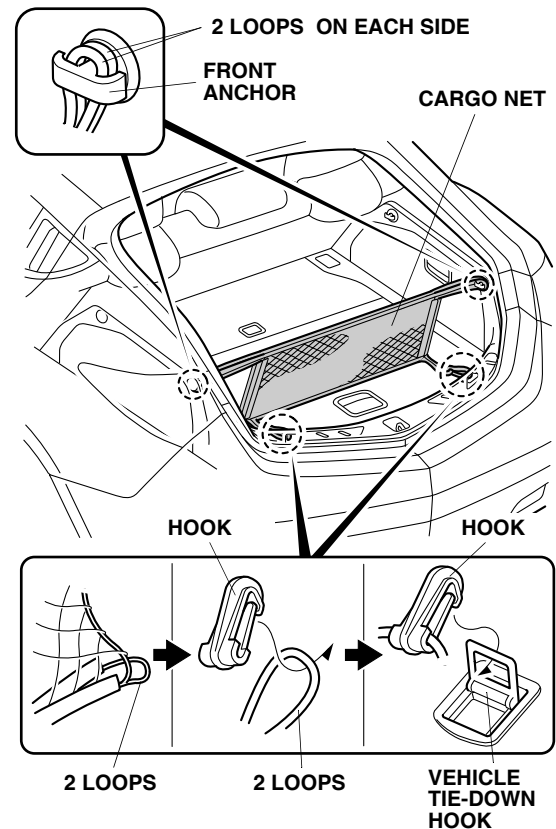
9. Attach the four cargo net loops onto the two front anchors shown.



10. On each side, attach one hook to the two loops on the cargo net.
11. On each side, snap the cargo net hook to the vehicle tie-down hook.

### Position D

12. Attach the four cargo net loops onto the two rear anchors shown.



13. On each side, attach one hook to the two loops on the cargo net.
14. On each side, snap the cargo net hook to the vehicle tie-down hook.