



# INSTALLATION INSTRUCTIONS

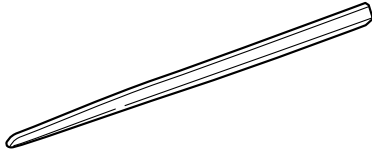
Accessory  
**BODY SIDE MOLDINGS**

Application  
**2012 TSX**

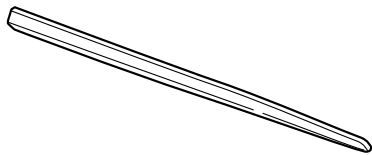
Publications No.  
**BII 46269**  
Issue Date  
**AUG 2011**

## PARTS LIST

Left front body side molding



Right front body side molding



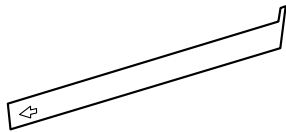
Left rear body side molding



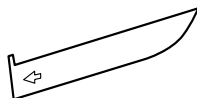
Right rear body side molding



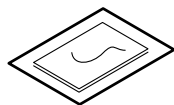
Front template



Rear template



4 Alcohol pads

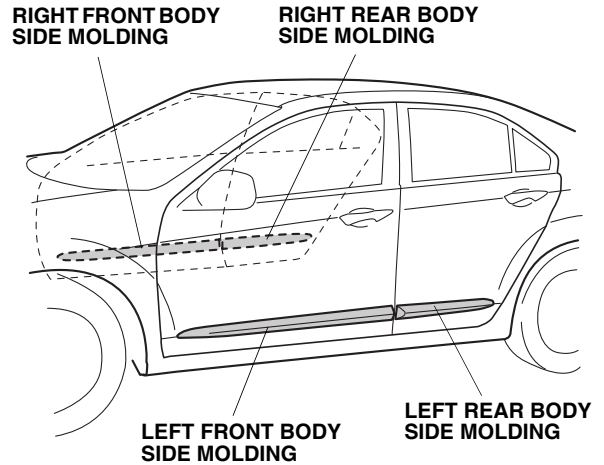


## TOOLS AND SUPPLIES REQUIRED

Masking tape

Rubber Roller Tool (T/N: EQSE54D)

### *Illustration of the Body Side Molding Installed on the Vehicle*

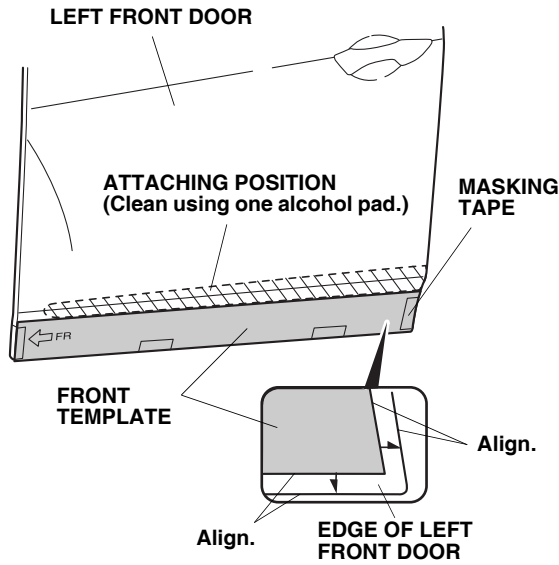


## INSTALLATION

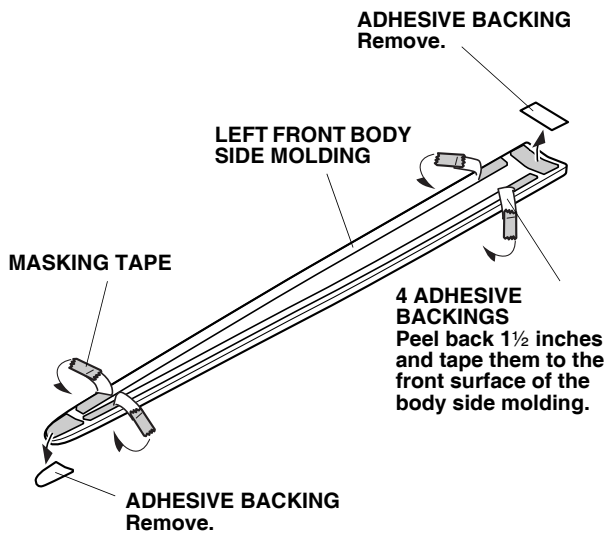
### NOTE:

- Be careful not to damage the paint finish.
- This body side moldings kit should be installed only if the ambient air temperature is above 15°C (60°F).
- To allow the adhesive to cure, do not wash the vehicle for 24 hours.
- These installation instructions show the left body side moldings being installed. The same procedure applies to the right body side moldings.
- If you are also installing door edge guards (sold separately), install them before you install the body side moldings.

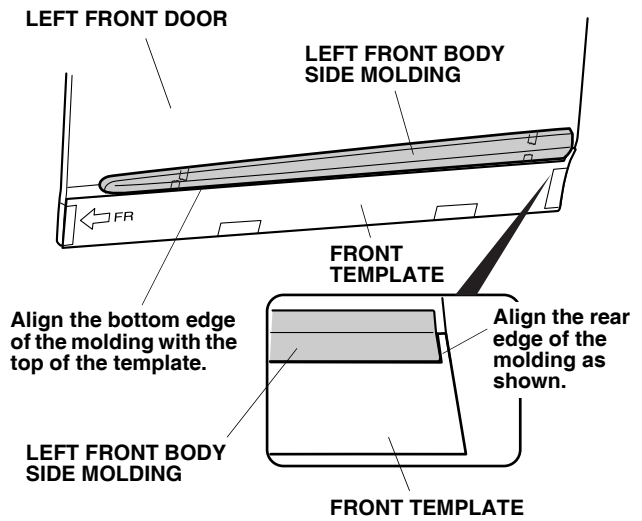
1. Position the left front template on the door, and align its edges with the edges of the left front door. Secure the template with masking tape as shown.



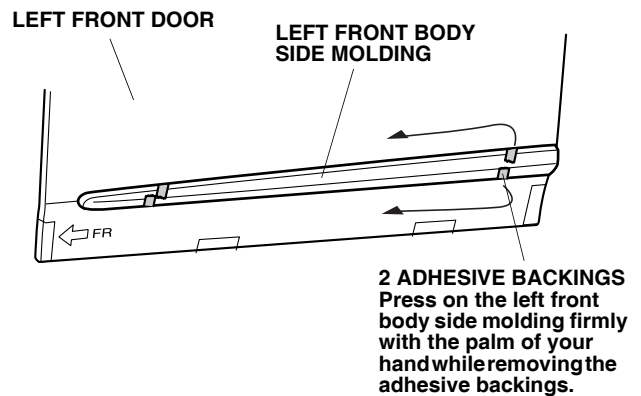
2. Clean the door surface where the left front body side molding will attach using one alcohol pad. Allow the alcohol to dry.
3. Peel back approximately 1½ inches of adhesive backing from each adhesive strip, and tape the ends to the front surface of the body side molding. Remove the small end pieces of adhesive backing.



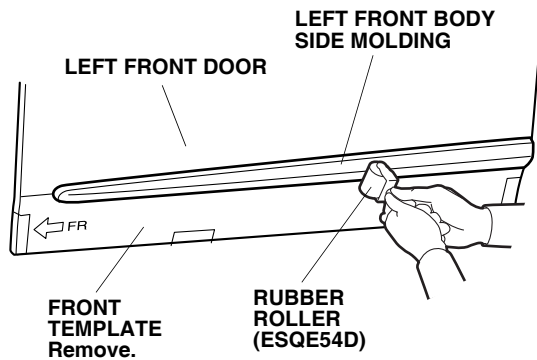
4. Align the edges of the left front body side molding with the edges of the front template as shown, and install the left front body side molding on the left front door.



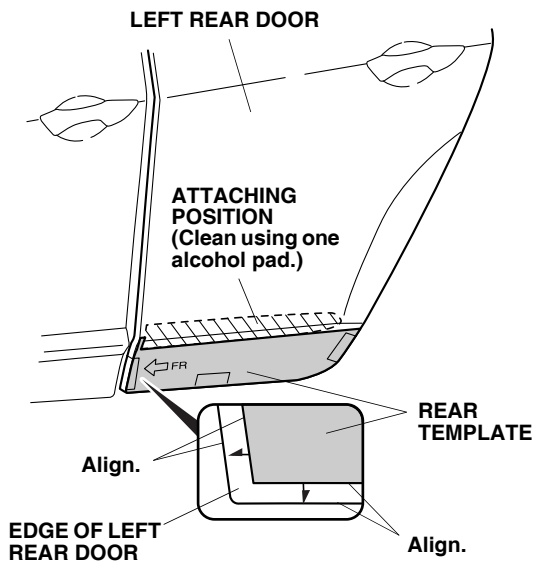
5. Press on the left front body side molding firmly with the palm of your hand while removing the adhesive backings. Remove about 2 to 4 inches at a time.



- Using the rubber roller, apply firm pressure while rolling to set the adhesive.

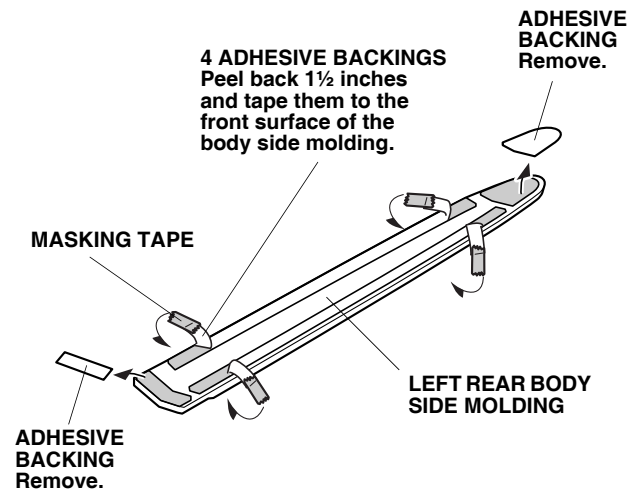


- Remove the front template.
- Position the rear template on the door, and align its edges with the edges of the left rear door. Secure the template with masking tape as shown.

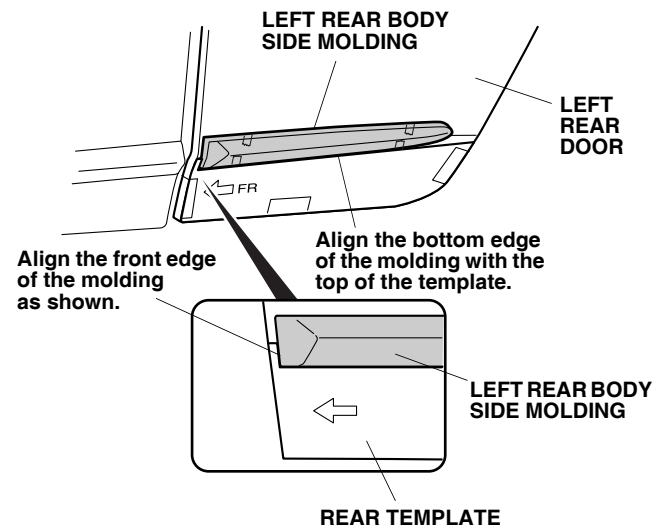


- Clean the door surface where the left rear body side molding will attach using one alcohol pad. Allow the alcohol to dry.

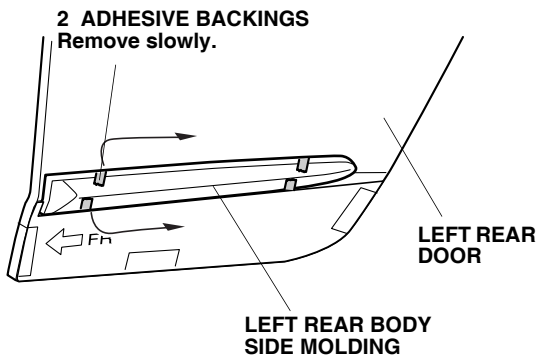
- Peel back approximately 1½ inches of the adhesive backing from each adhesive strip, and tape the ends to the front surface of the body side molding. Remove the small end pieces of adhesive backing.



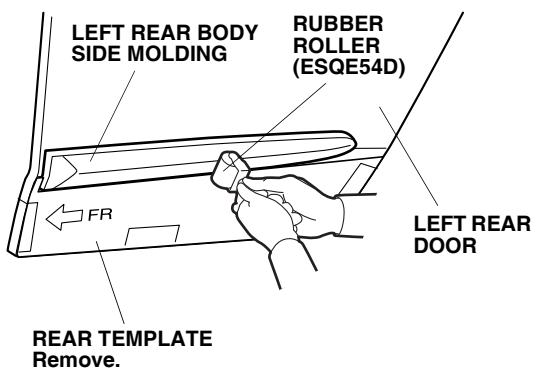
- Align the edges of the left rear body side molding with the edges of the rear template as shown, and install the left rear body side molding on the left rear door.



12. Press on the left rear body side molding firmly with the palm of your hand while removing the adhesive backings. Remove about 2 to 4 inches at a time.



13. Using the rubber roller, apply firm pressure while rolling to set the adhesive.



14. Remove the rear template.
15. Turn the templates over and repeat steps 1 thru 14 to install the body side moldings on the right side of the vehicle.