

INSTALLATION INSTRUCTIONS

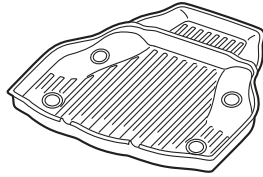
Accessory
TRUNK TRAY
 P/N 08U45-TK4-200

Application
2012 TL

Publications No.
BII 45428
 Issue Date
MAR 2011

PARTS LIST

Trunk tray

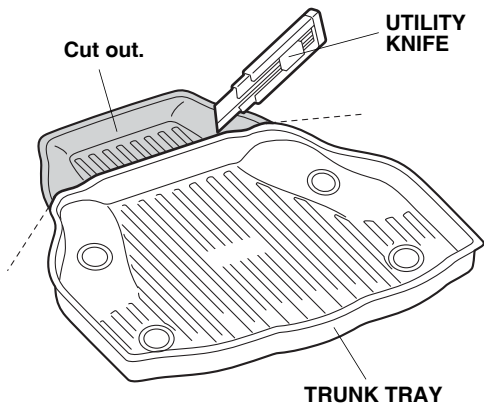


TOOLS AND SUPPLIES REQUIRED

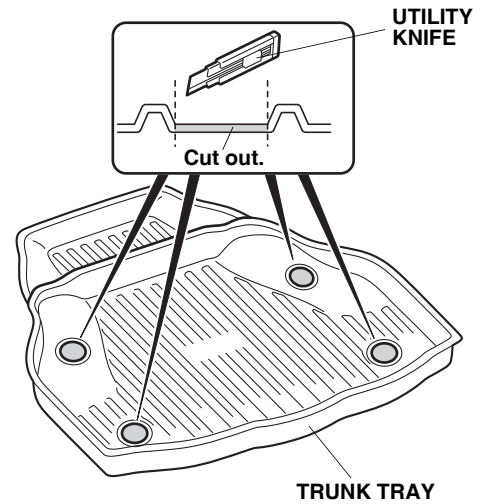
Utility knife

INSTALLATION

1. On AWD models, cut out the marked area on the trunk tray with a utility knife.



2. If the vehicle is equipped with a cargo net, cut out the four marked areas on the trunk tray with a utility knife.



3. Open the trunk lid, and install the trunk tray in the trunk floor.

