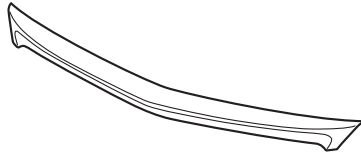
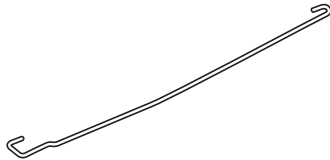


## PARTS LIST

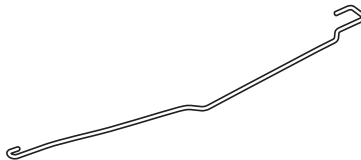
Trunk spoiler



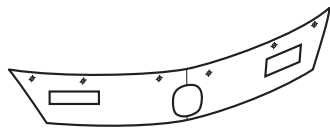
Right trunk spring



Left trunk spring



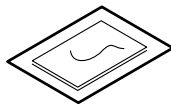
Template



3 Washer nuts



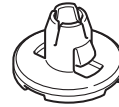
2 Alcohol pads



3 Seals (3 mm thick)



3 Grommets



3 Pins



3 Seals (1 mm thick)



## TOOLS AND SUPPLIES REQUIRED

Flat-tip screwdriver

Torque wrench

10 mm Socket

Center punch

Drill

3 mm and 9 mm Drill bits

File

Touch-up paint

Heavy gloves

Masking tape

Hard rubber roller

Cover

High-quality paste wax

Eye protection (face shield, safety goggles, etc.)

Trunk spring Tool (T/N 07AAF-SNAA100)

Plastic Trim Tool (T/N SILTRIMTL10)

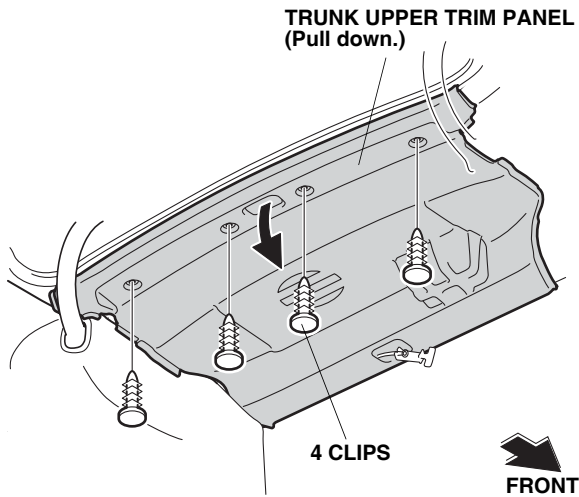
## INSTALLATION

**Client Information:** The information in this installation instruction is intended for use only by skilled technicians who have the proper tools, equipment, and training to correctly and safely add equipment to your vehicle. These procedures should not be attempted by “do-it-yourselfers.”

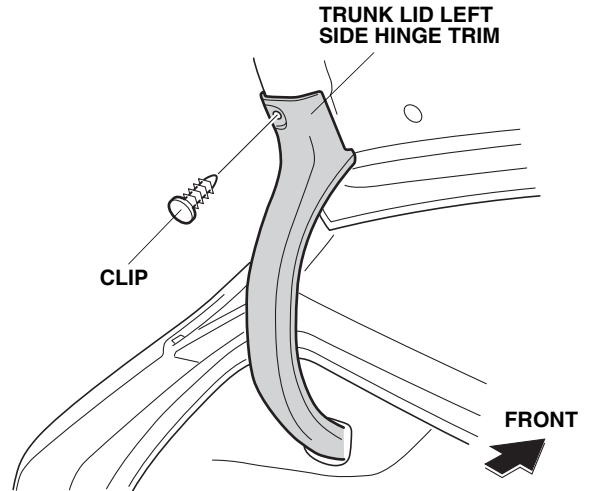
### NOTE:

- Be careful not to damage the body paint finish.
- The trunk spoiler should be installed only when the ambient air temperature is 15°C (60°F) or above.
- To allow the adhesive to cure, do not wash the vehicle for 24 hours.
- The trunk springs are different for the left and the right side. (The spring for the right side is marked with red paint. The spring for the left side is marked with yellow paint.) Identify each spring before installation.

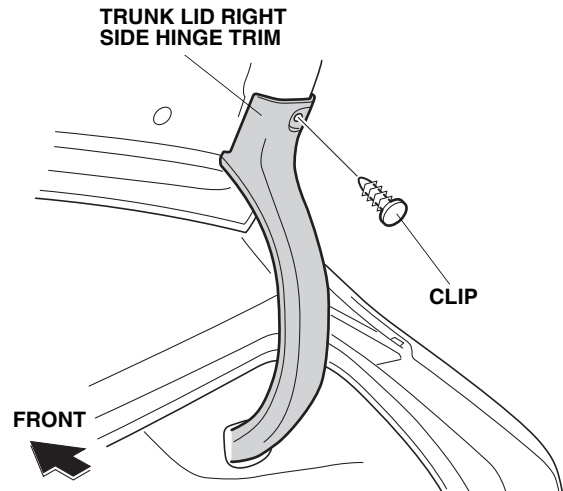
1. Open the trunk lid. Pull down the trunk upper trim panel (four clips).



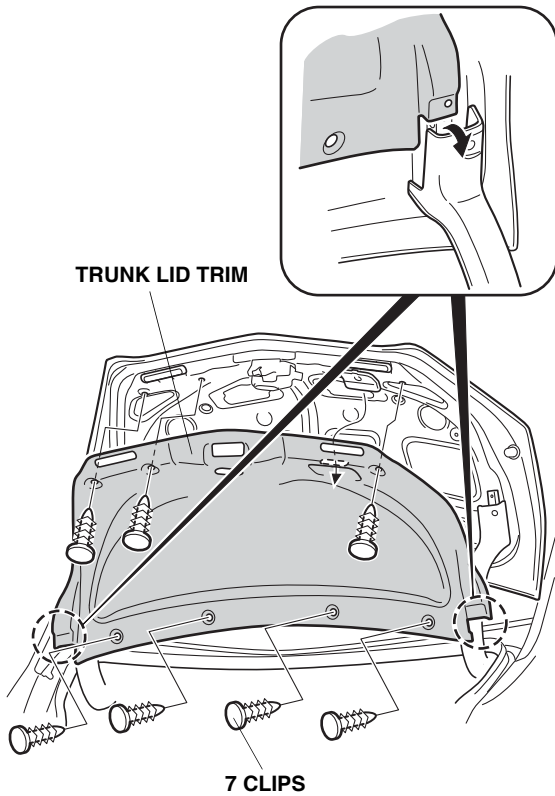
2. Remove the clip from the trunk lid left side hinge trim.



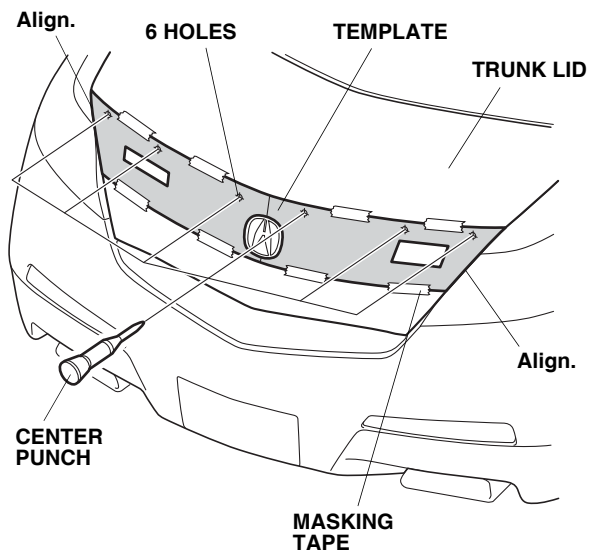
3. Remove the clip from the trunk lid right side hinge trim.



4. Remove the trunk lid trim (seven clips).

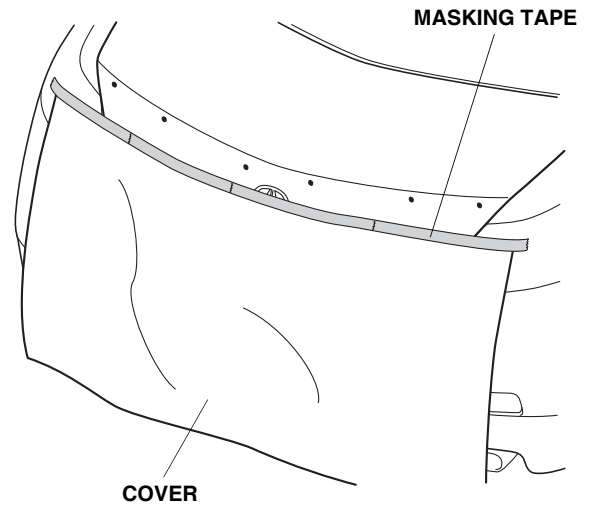


5. Close the trunk lid. Align the template with the edge of the trunk lid. Tape the template to the trunk lid using masking tape.

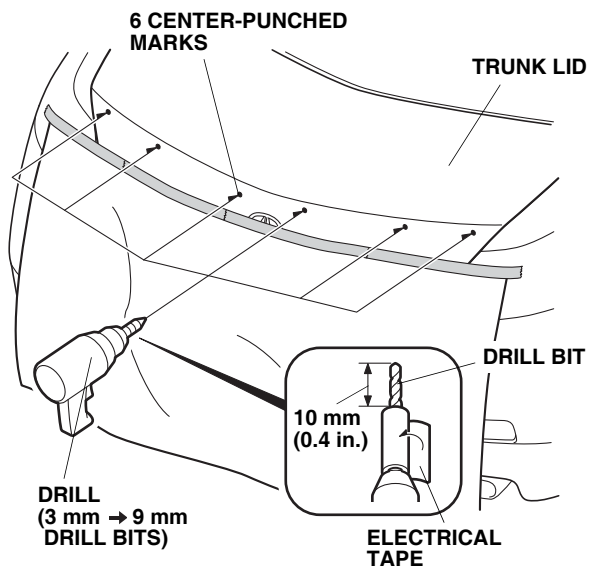


6. Center-punch the trunk lid at the six holes in the template. Remove the template.

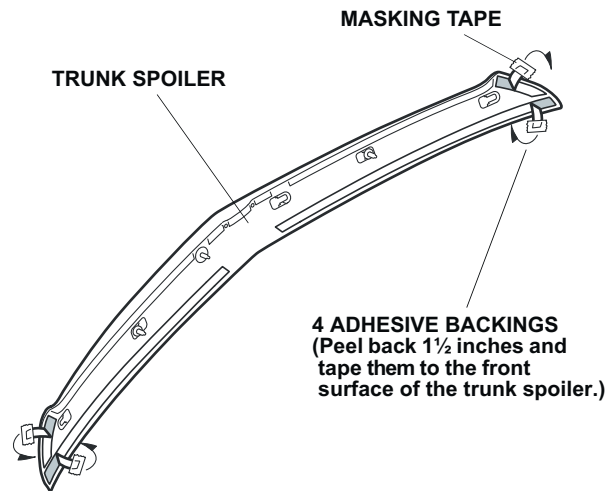
7. Mask the trunk lid to prevent metal chips from scratching the paint.



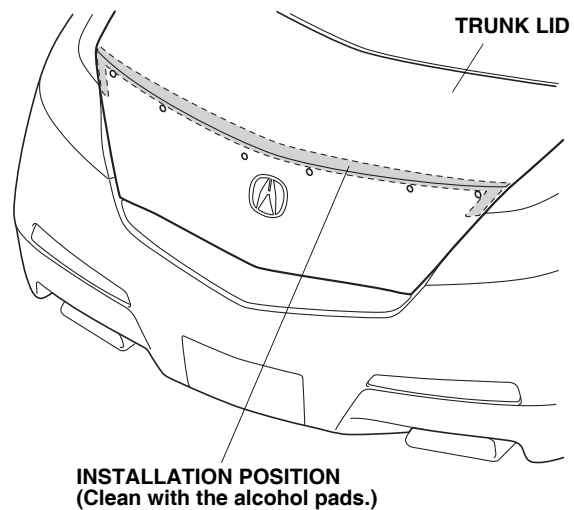
8. While wearing eye protection, drill the trunk lid at the six center punched marks:
- First drill with a 3 mm drill bit, and finish with a 9 mm drill bit.
  - Wrap electrical tape around each drill bit 10 mm (0.4 in.) from the tip or use a drill stop.
  - To collect metal shavings falling into the trunk area, cover the trunk floor.
  - Remove all burrs and metal shavings, and apply touch-up paint to the edges of the holes.
  - Remove the tape and the cover.
  - When the touch-up paint is dry, clean the area to be covered, and wax it with a high-quality paste wax.



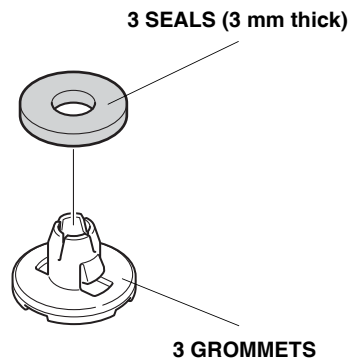
9. Peel back approximately 1½ inches of adhesive backing from each adhesive tape, and tape the ends to the front surface of the trunk spoiler.



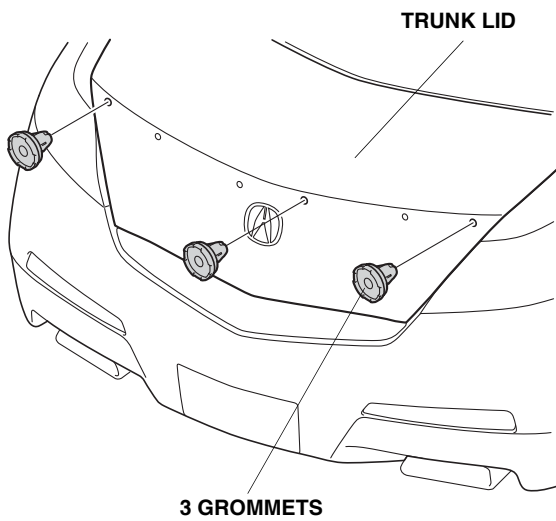
10. Using the alcohol pads, clean the trunk lid where the trunk spoiler will attach. Allow the alcohol to dry.



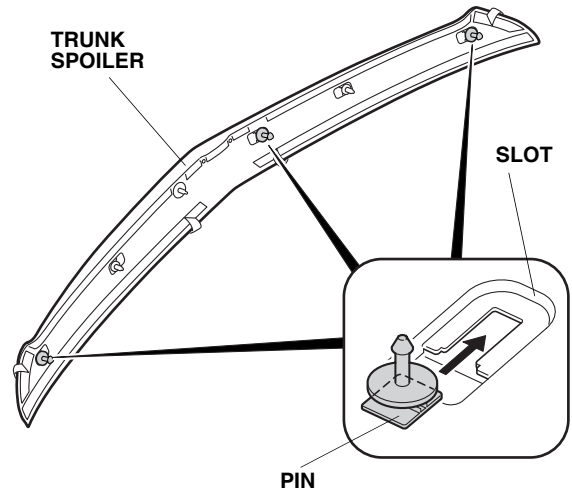
11. Install a thick seal, (3 mm), to each of the three grommets.



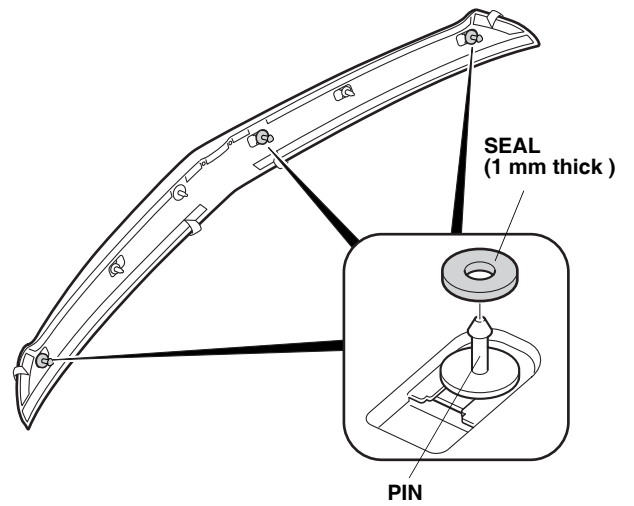
12. Install the three grommets into the trunk lid in the holes shown.



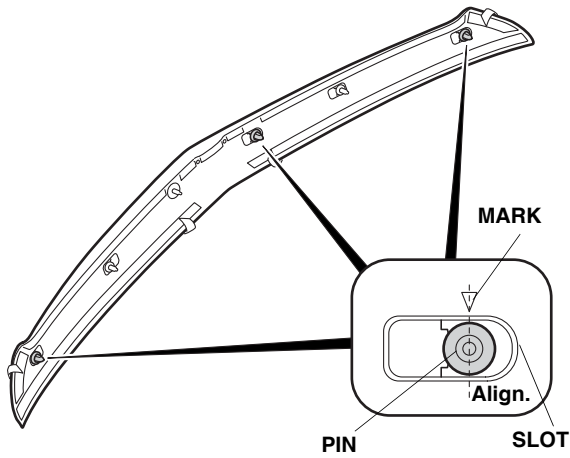
13. Install three pins on the trunk spoiler in the slots shown.



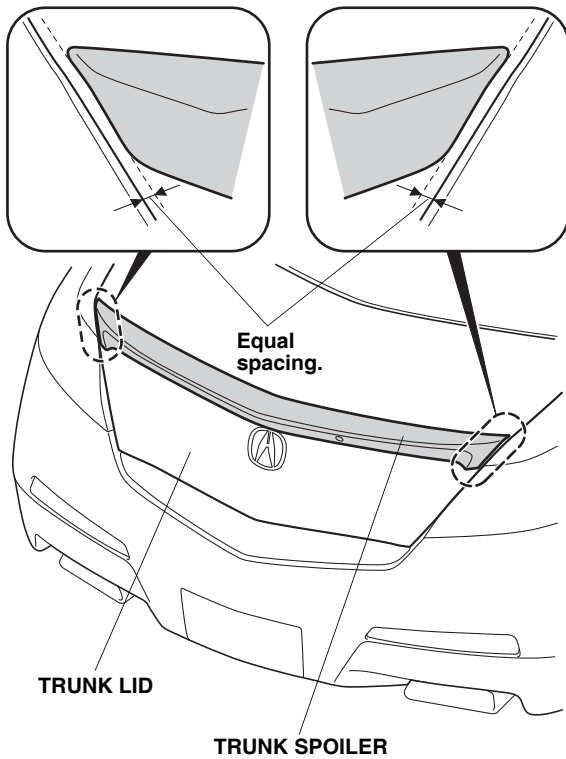
14. Install a thin seal (1 mm) to each of the three pins.



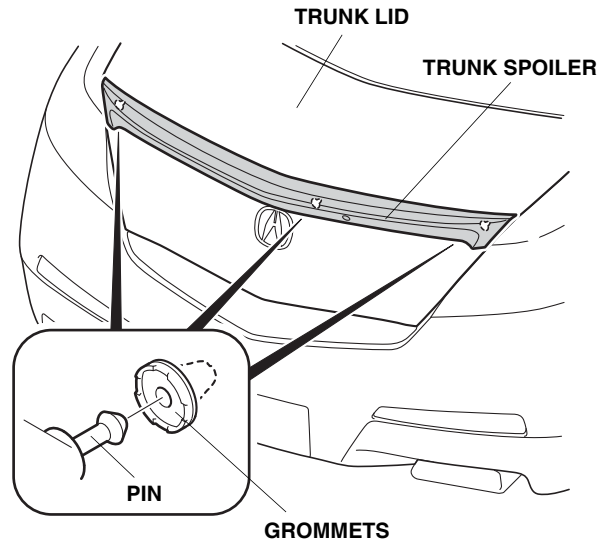
15. Align the pins in each slot with the marks shown.



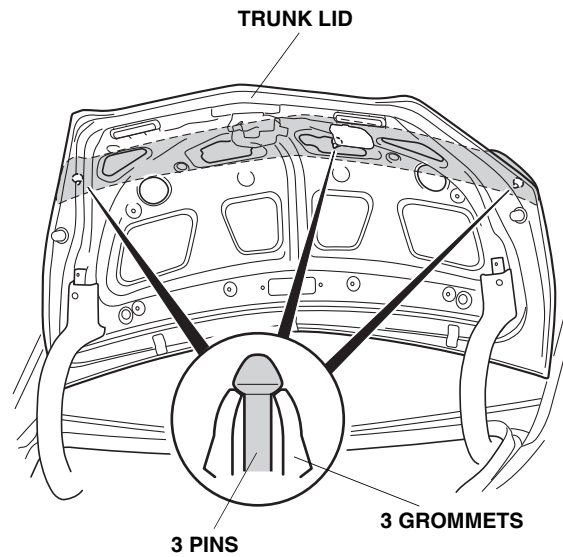
16. Center the spoiler on the trunk lid, and check the distance on each side.



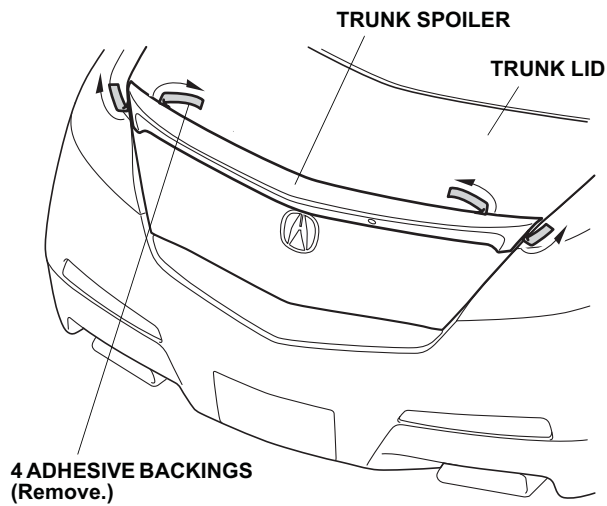
17. Install the trunk spoiler on the trunk lid using the three pins. Install the pins securely by applying pressure on the trunk spoiler with the palm of your hand. Listen carefully for each pin to click into place in its grommet.



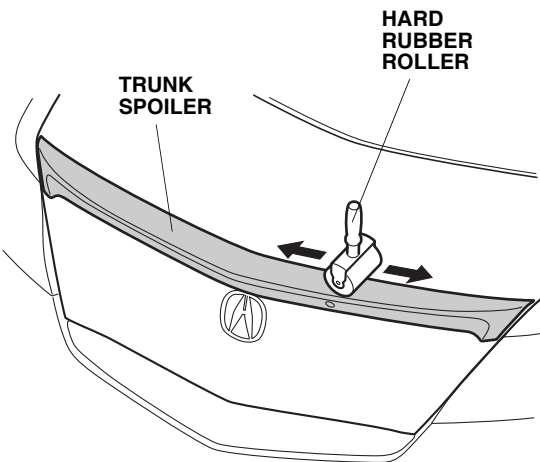
18. Open the trunk lid. Use a flashlight to confirm that the three pins are seated properly in their grommets.



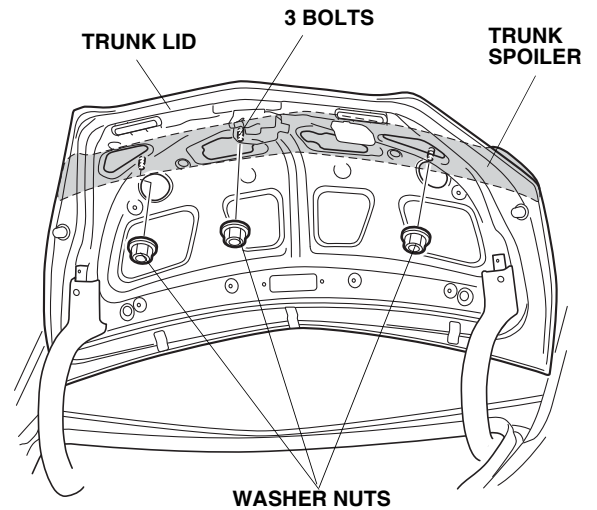
19. Close the trunk lid.
20. Remove the four adhesive backings while pressing the trunk spoiler firmly against the trunk lid with the palm of your hand.



21. Using a hard rubber roller, apply pressure and roll it from one end to the other.

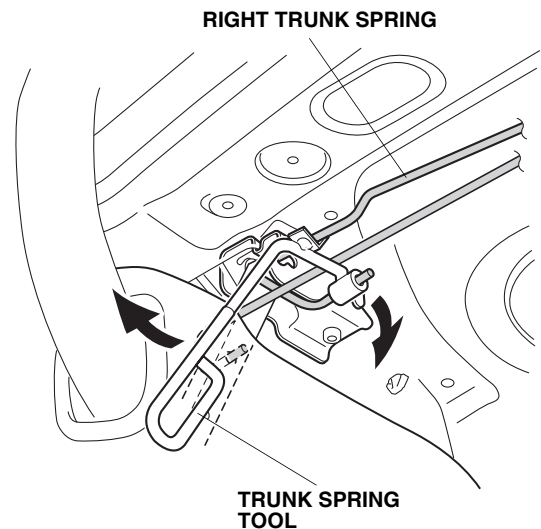


22. Open the trunk lid, and install the three washer nuts. Torque the three washer nuts to 9.0 N·m (6.5 lbf·ft).

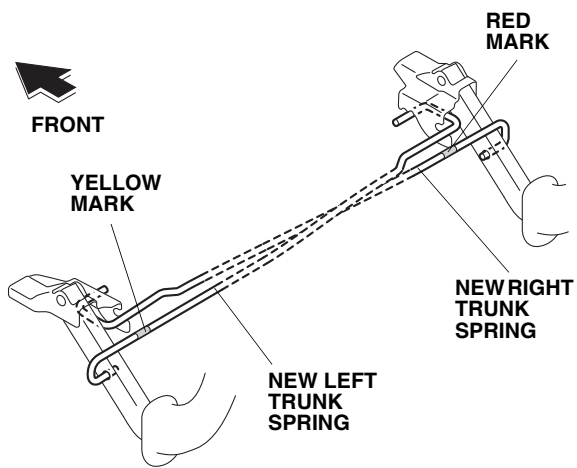


23. With an assistant holding the trunk lid open, remove the right and left trunk spring from the trunk lid hinge using the trunk spring tool. Pull the trunk spring tool slowly and carefully toward you. Slightly lower the trunk lid and set the trunk spring tool.

**NOTE:** Wear heavy gloves to protect your hands while you are replacing the trunk spring.



24. Install the new right and left trunk springs in the reverse order of removal:
- Set the tool on the marked end of each trunk spring.
  - Install the red marked spring in the slot in the right (passenger's) side trunk lid hinge and in the hinge bracket on the left (driver's) side of the vehicle; install the yellow marked spring in the slot in the left (driver's) side trunk lid hinge and in the hinge bracket on the right (passenger's) side of the vehicle.
  - Rotate the tool as you pull it towards you.
  - Set the springs in the first notch (original position) of the hinge brackets.



25. Reinstall all removed parts.