



INSTALLATION INSTRUCTIONS

Accessory
FRONT UNDER SPOILERS

Application
2012 TL

Publications No.
BII 45414
Issue Date
MAR 2011

PARTS LIST

Right front under spoiler



Left front under spoiler



8 Clip holders



8 Seals
(Not used)



TOOLS AND SUPPLIES REQUIRED

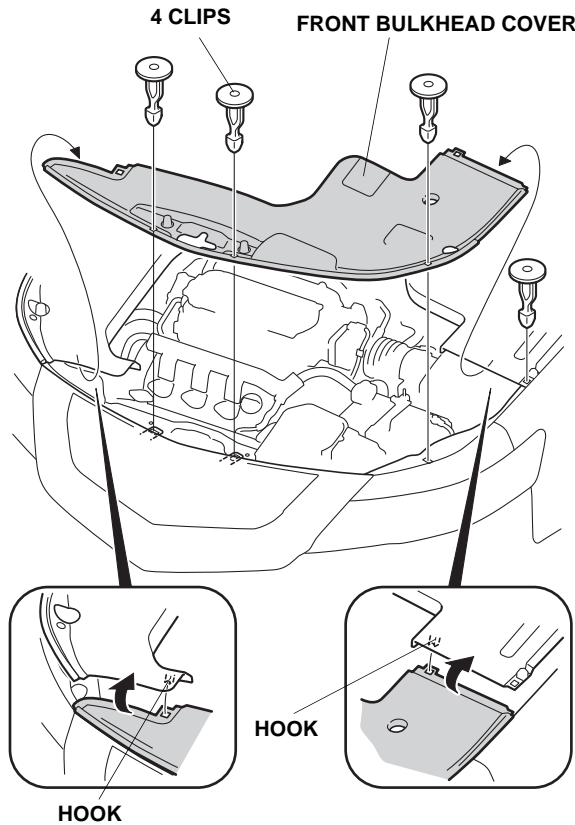
- Phillips screwdriver
- Flat-tip screwdriver
- Ratchet
- 10 mm Socket
- Pushpin
- Drill
- 3 mm and 10 mm Drill bits
- Deburring tool (T/N DEBUR300)
- Masking tape
- Diagonal cutters
- Eye protection (face shield, safety goggles, etc.)
- Isopropyl alcohol
- Shop towel
- Plastic Trim Tool (T/N SILTRIMTL10)
- Blanket
- Rubber roller (T/N MHLE540)

INSTALLATION

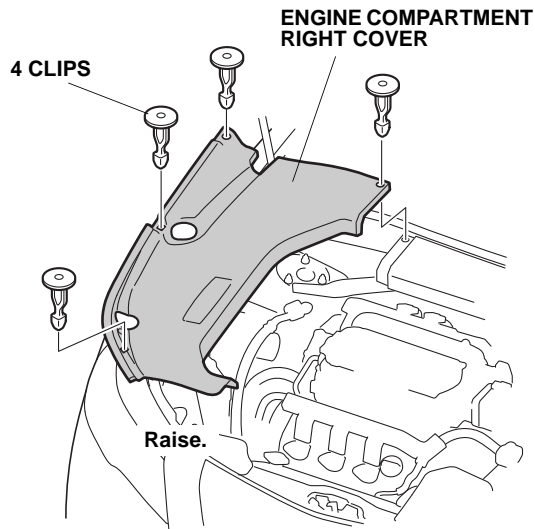
Client Information: The information in this installation instruction is intended for use only by skilled technicians who have the proper tools, equipment, and training to correctly and safely add equipment to your vehicle. These procedures should not be attempted by "do-it-yourselfers."

NOTE:

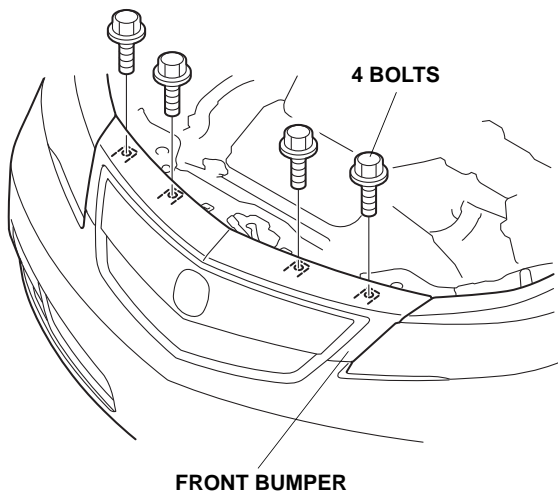
- Be careful not to damage the front bumper and paint finish.
 - The front under spoilers should be installed only when the ambient air temperature is 15°C (60°F) or above.
 - To allow the adhesive to cure, do not wash the vehicle for 24 hours. Please inform the client.
1. Open the hood. Remove the front bulkhead cover (four clips and two hooks).



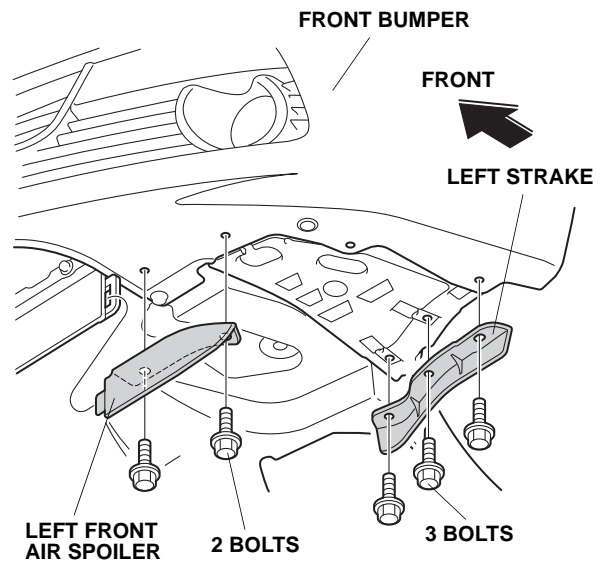
2. Remove the four clips, and raise the engine compartment right cover.



3. Remove the four bolts from the front bumper.

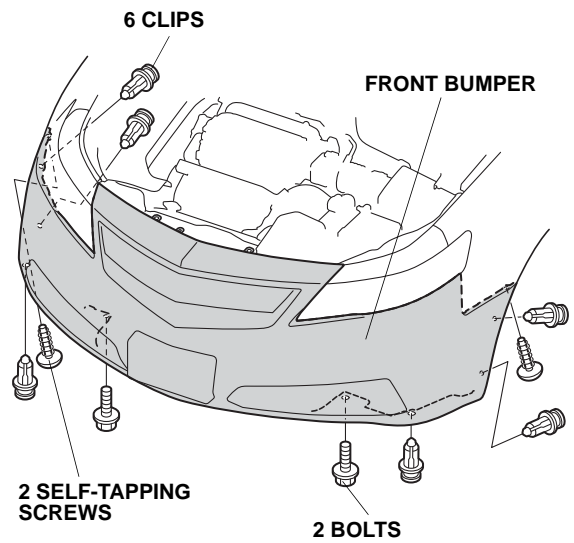


4. Remove the left front air spoiler and the left strake (five bolts).

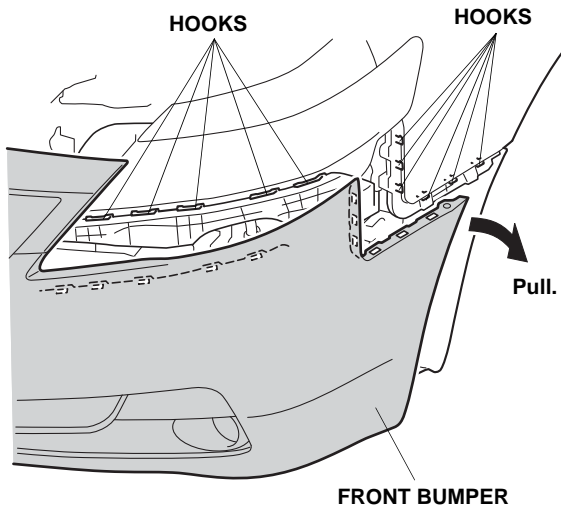


5. Remove the right front air spoiler and the right strake (five bolts).

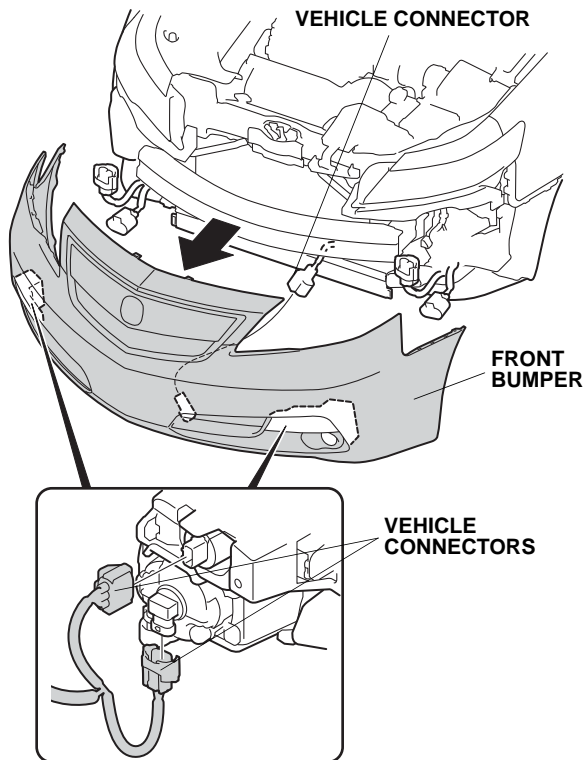
6. Remove the two self-tapping screws, six clips, and two bolts from the front bumper.



- On each side, release the 11 hooks, and gently pull the front bumper out from the body.

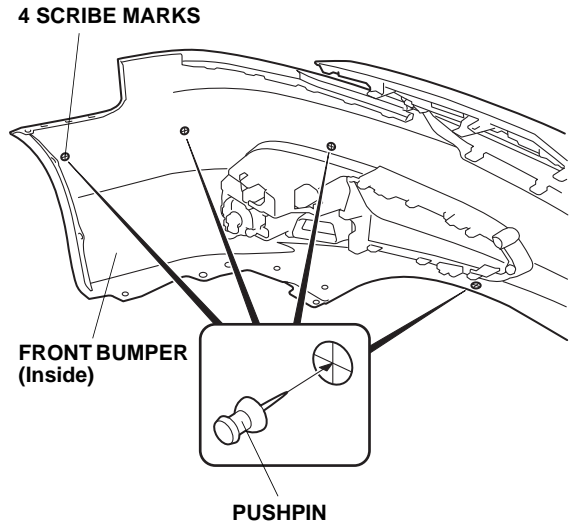


- With the help of an assistant, remove the front bumper (unplug the five vehicle connectors). Place the front bumper on a blanket so it does not get damaged.



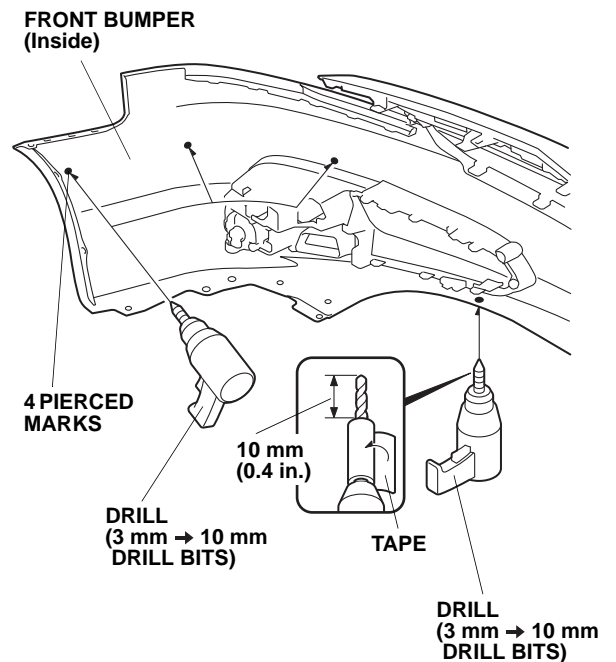
Installing the Front Under Spoilers

- Using a pushpin, pierce the centers of four scribe marks on the front bumper.



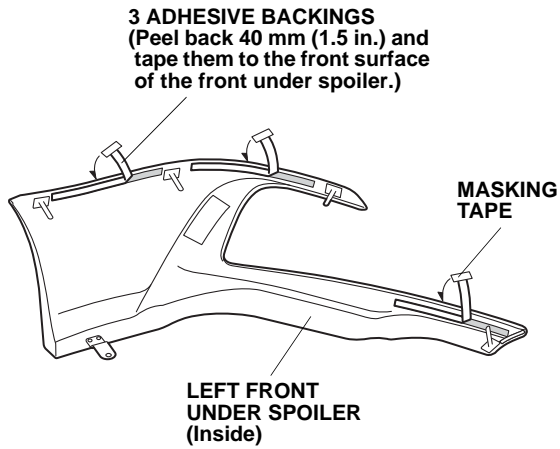
- While wearing eye protection, drill the four pierced marks using a 3 mm drill bit, then finish with a 10 mm drill bit.

NOTE: To prevent damage to the front bumper, wrap tape around the drill bit 10 mm (0.4 in.) away from the tip.

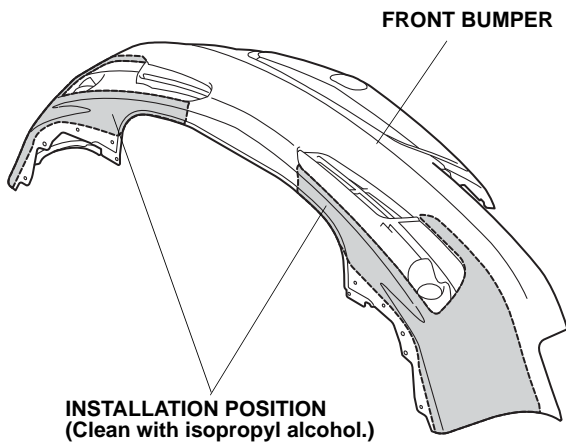


- Using a deburring tool, remove any burrs from the holes.

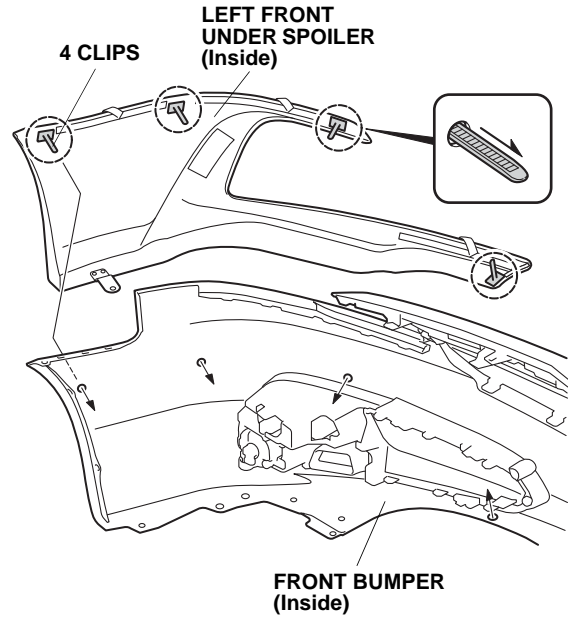
12. Peel back approximately 40 mm (1.5 in.) of adhesive backing from each adhesive strip, and tape the ends to the front surface of the left front under spoiler.



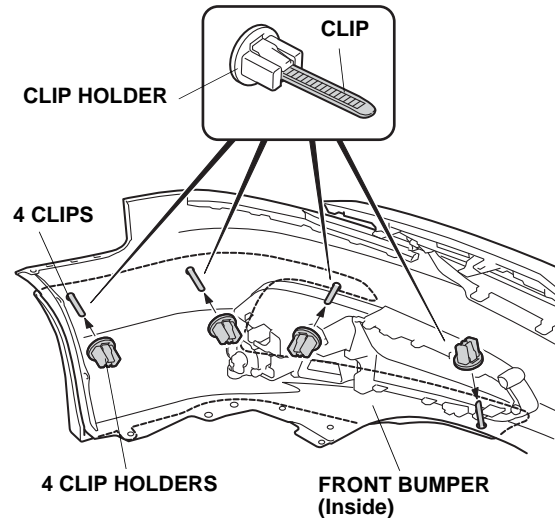
13. Using isopropyl alcohol on a shop towel, clean the surface where the front under spoilers will attach. Allow the surface to dry before going to the next step.



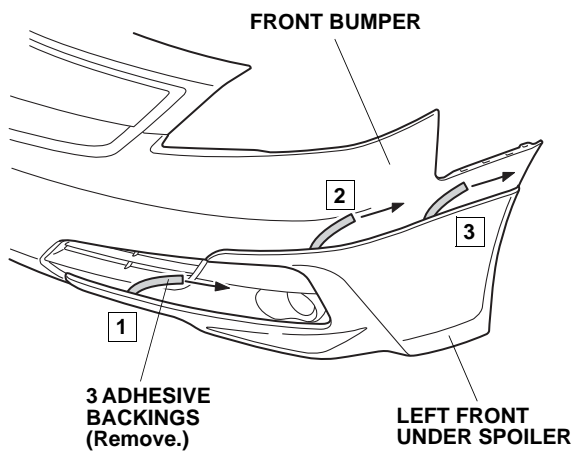
14. Install the left front under spoiler on the front bumper.



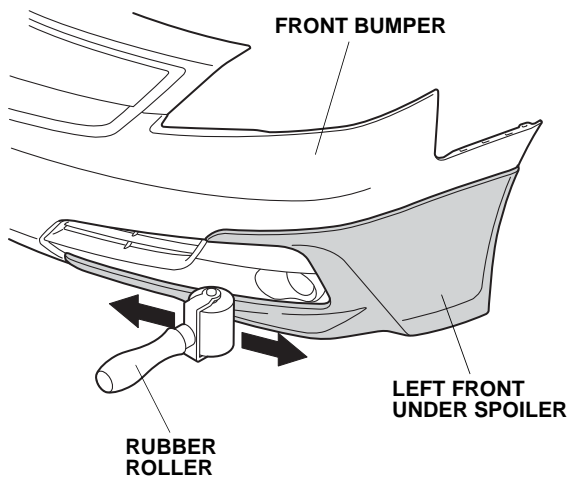
15. Secure the four clip holders onto the four clips.



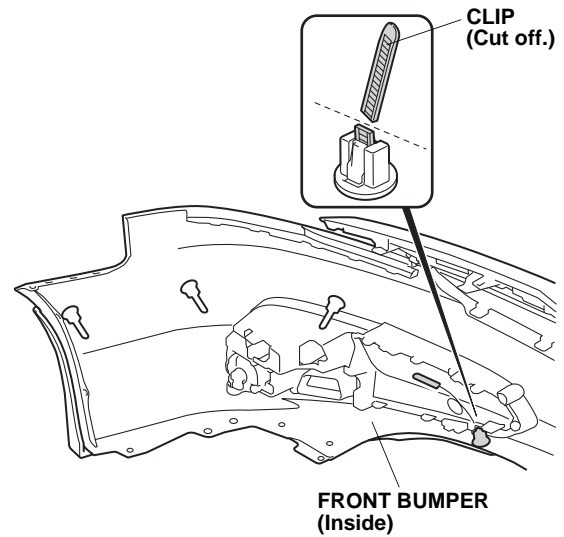
16. Remove the three adhesive backings in the order shown.



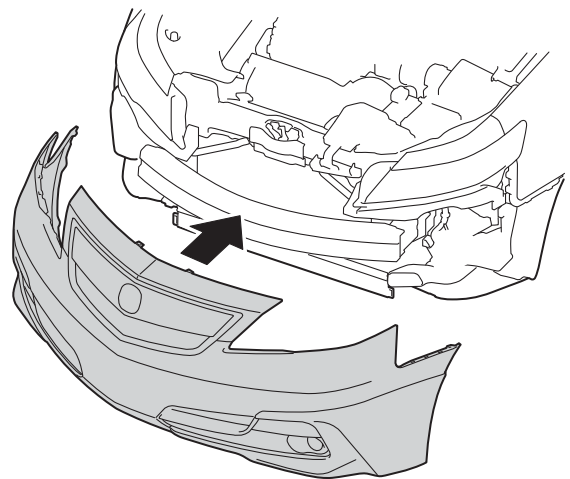
17. Using a rubber roller, apply firm pressure while rolling to set the adhesive.



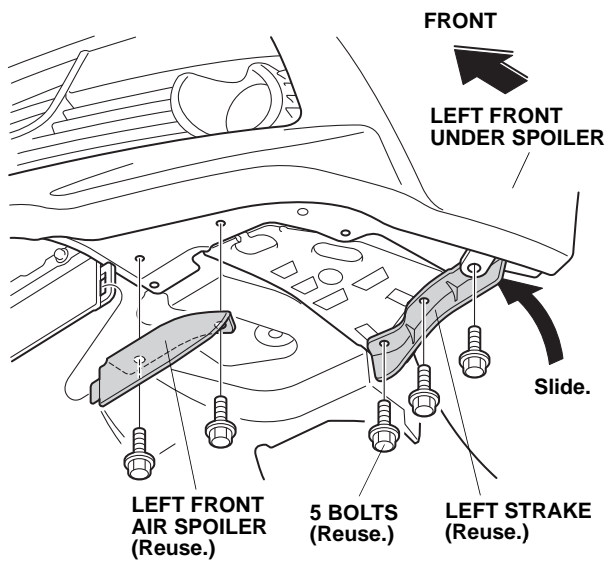
18. Using diagonal cutters, cut off the excess on the lower clip holder.



19. Repeat steps 9 thru 17 to install the right front under spoiler.
20. With the help of an assistant, reinstall the front bumper.



21. Reinstall the left front air spoiler and the left strake as shown.



22. Reinstall the right front air spoiler right strake.
23. Reinstall all removed parts.