



INSTALLATION INSTRUCTIONS

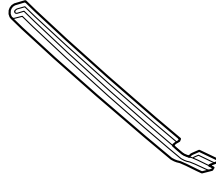
Accessory
DOOR EDGE GUARDS

Application
2012 TL

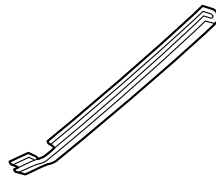
Publications No.
BII 45411
Issue Date
MAR 2011

PARTS LIST

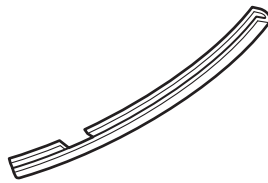
Right front door edge guard



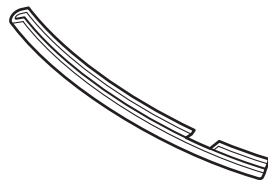
Left front door edge guard



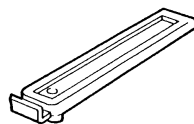
Right rear door edge guard



Left rear door edge guard



Seam sealant cutting tool



TOOLS AND SUPPLIES REQUIRED

Rubber mallet
Felt-tip pen
Touch-up paint

INSTALLATION

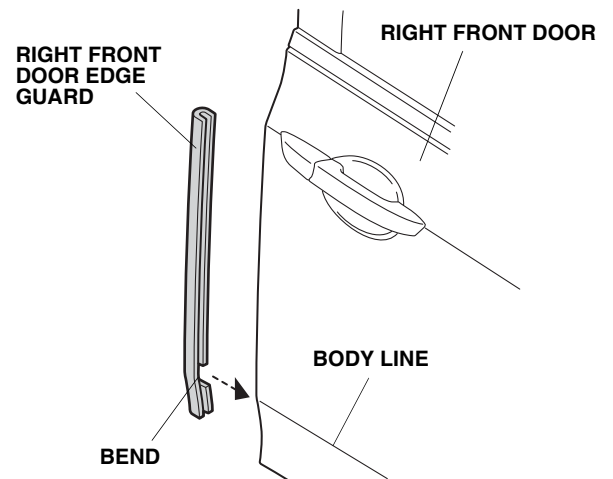
Client Information: The information in this installation instruction is intended for use only by skilled technicians who have the proper tools, equipment, and training to correctly and safely add equipment to your vehicle. These procedures should not be attempted by “do-it-yourselfers.”

NOTE:

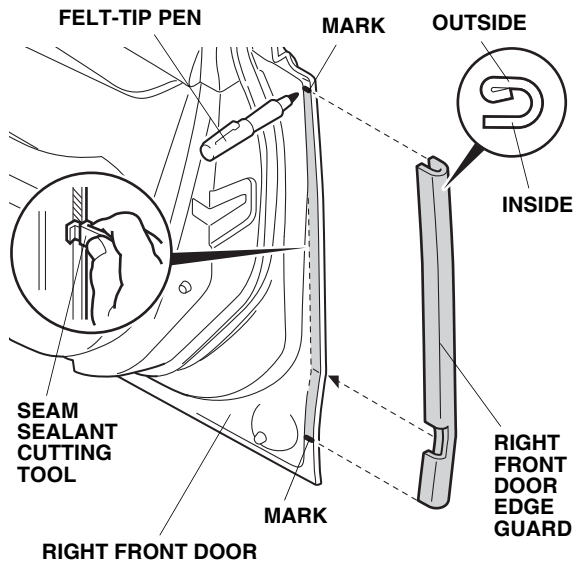
- Door edge guards cannot be installed if the vehicle is equipped with body side molding.
- Be careful not to damage the body paint finish.
- These installation instructions show the right door edge guards being installed. The same procedure applies to installing the left door edge guards.
- Clean and wax the areas to be covered with a high-quality paste wax.
- Identify each door edge guard by holding it up to the door and matching its contour with the door edge.

Installing the Front Door Edge Guards

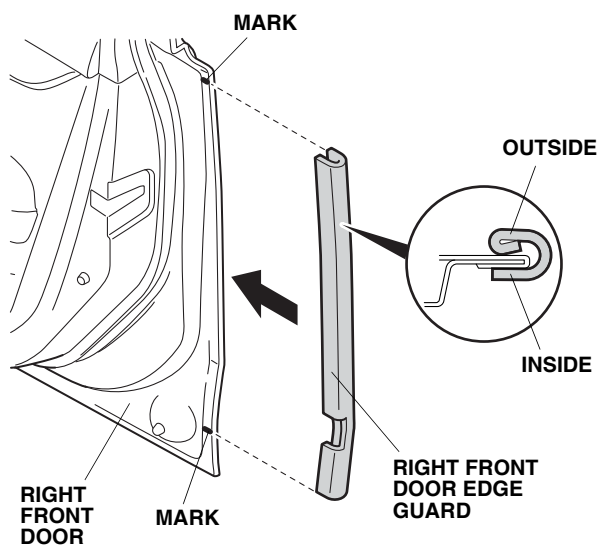
1. Align the bend in the right front door edge guard with the body line as shown.



- Using a felt-tip pen, mark the inside edge of the right front door at the upper and lower ends of the right front door edge guard.



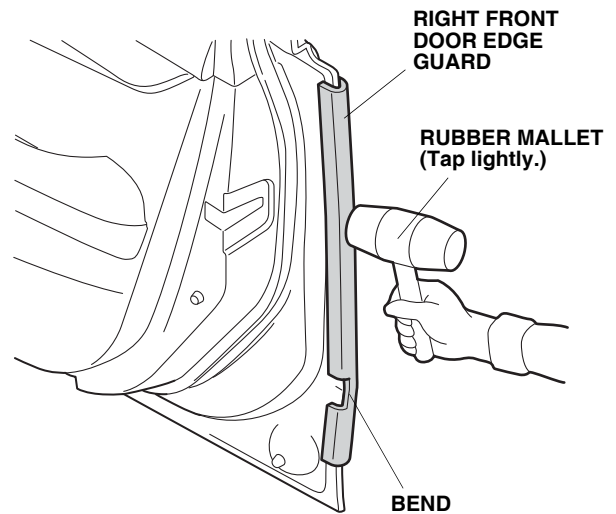
- Position the cutting edge of the seam sealant cutting tool against the door edge, and trim the seam sealant from mark to mark.
- NOTE:** The cutting tool cuts in only one direction. Move it upward on the right side of the vehicle and downward on the left side.
- Apply touch-up paint to the door, and let it dry.
 - Position the right front door edge guard on the right front door edge.



- Using a rubber mallet, lightly tap on the right front door edge guard.

NOTE:

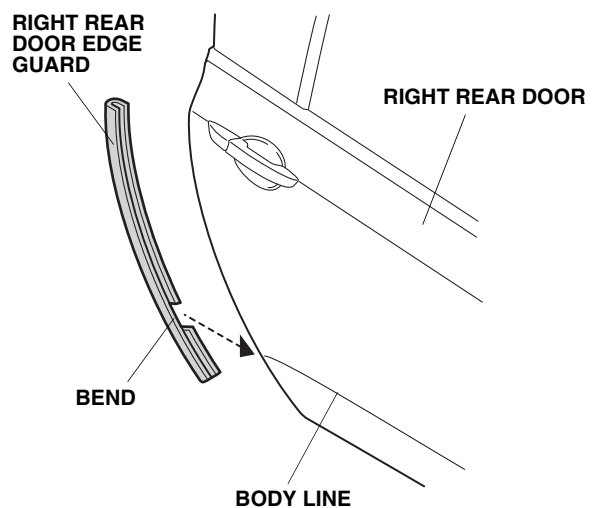
- Do not tap on the bend.
- Be sure to tap the front door edge guard into position with a series of light taps. Once in place, do not remove, reposition, or reinstall the door edge guard. It will not hold securely.



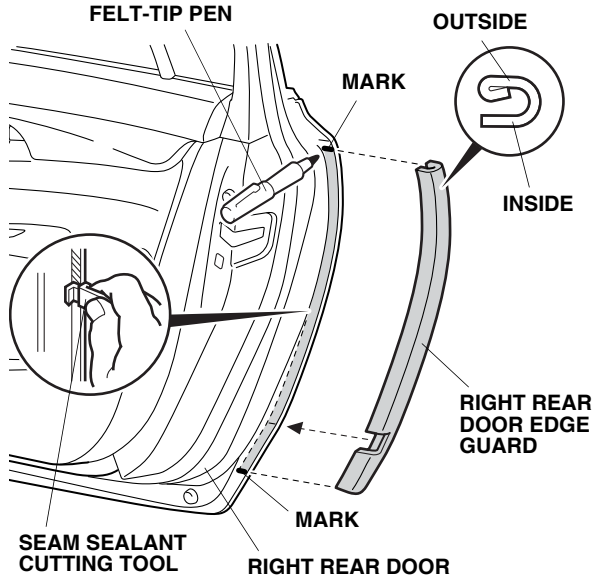
- Lightly tap the rest of the right front door edge guard into position.
- Repeat steps 1 thru 7 to install the left front door edge guard.

Installing the Rear Door Edge Guards

- Align the bend in the right rear door edge guard with the body line as shown.



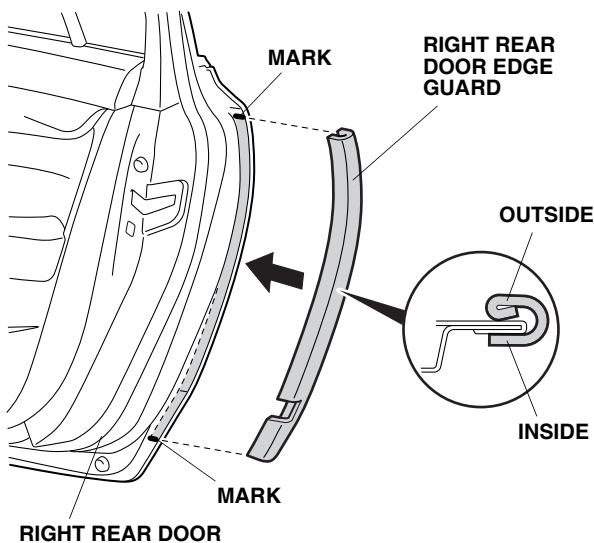
- Using a felt-tip pen, mark the inside edge of the right rear door at the upper and lower ends of the right rear door edge guard.



- Position the cutting edge of the seam sealant cutting tool against the door edge, and trim the seam sealant between the marks at the top and bottom of the door edge.

NOTE: The cutting tool cuts in only one direction. Move it upward on the right side of the vehicle and downward on the left side.

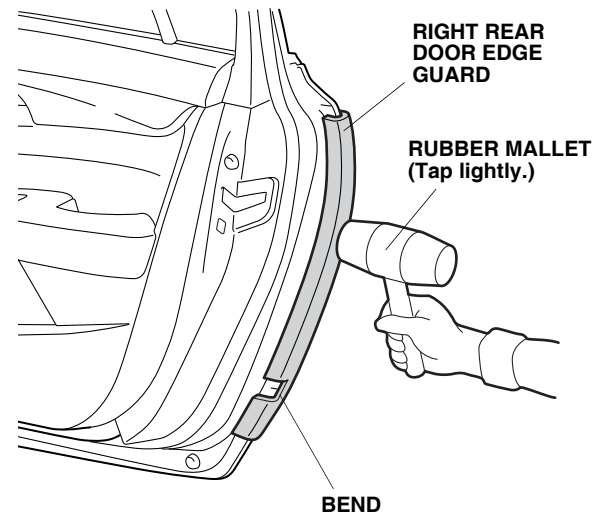
- Apply touch-up paint to the door, and let it dry.
- Position the right rear door edge guard on the right rear door edge.



- Using a rubber mallet, lightly tap on the right rear door edge guard.

NOTE:

- Do not tap on the bend.
- Be sure to tap the rear door edge guard into position with a series of light taps. Once in place, do not remove, reposition, or reinstall the door edge guard. It will not hold securely.



- Lightly tap the rest of the right rear door edge guard into position.
- Repeat steps 9 thru 15 to install the left rear door edge guard.